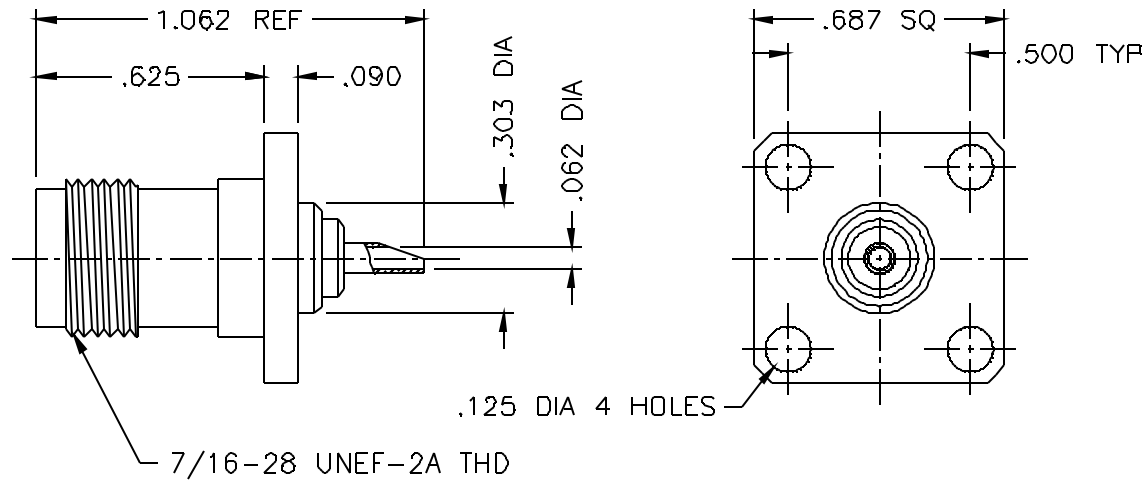


1213-000-N090



NOTES:

1. ASSEMBLED CONNECTOR INTERFACE IS DESIGNED IN ACCORDANCE WITH MIL-STD-348.
2. MATERIAL: BODY- BRASS PER ASTM B16  
CONTACT- BERYLLIUM COPPER PER ASTM B196.  
INSULATOR- TEFLON PER ASTM D1710
3. FINISHES: BODY- NICKEL PLATE PER QQ-N-290  
CONTACT- GOLD PLATE PER MIL-G-45204

-	OUTLINE	12/14/95
ALT.	REVISIONS	DATE

DELTA ELECTRONICS MFG. CORP. Beverly, MA 01915

TITLE: 'TNC' (F) PANEL MOUNT RECEPTACLE  
SOLDERPOT TERMINAL

TOLERANCES UNLESS OTHERWISE SPECIFIED:	Drawn by dgb 12/14/95	Scale 2/1	Ckd. by	FILE NAME: 1213000N090-000T
--	-----------------------------	--------------	---------	--------------------------------

3 PLACES = ±.005  
2 PLACES = ±.01  
ANGLES = ±1/2°

CODE IDENT. -00795

1213-000-N090

THESE DRAWINGS AND SPECIFICATIONS ARE THE PROPERTY OF DELTA ELECTRONICS MFG. CORP. AND SHALL NOT BE REPRODUCED, OR COPIED, OR USED AS THE BASIS FOR THE MANUFACTURE OR SALE OF APPARATUS OR DEVICES WITHOUT THEIR EXPRESS WRITTEN CONSENT.