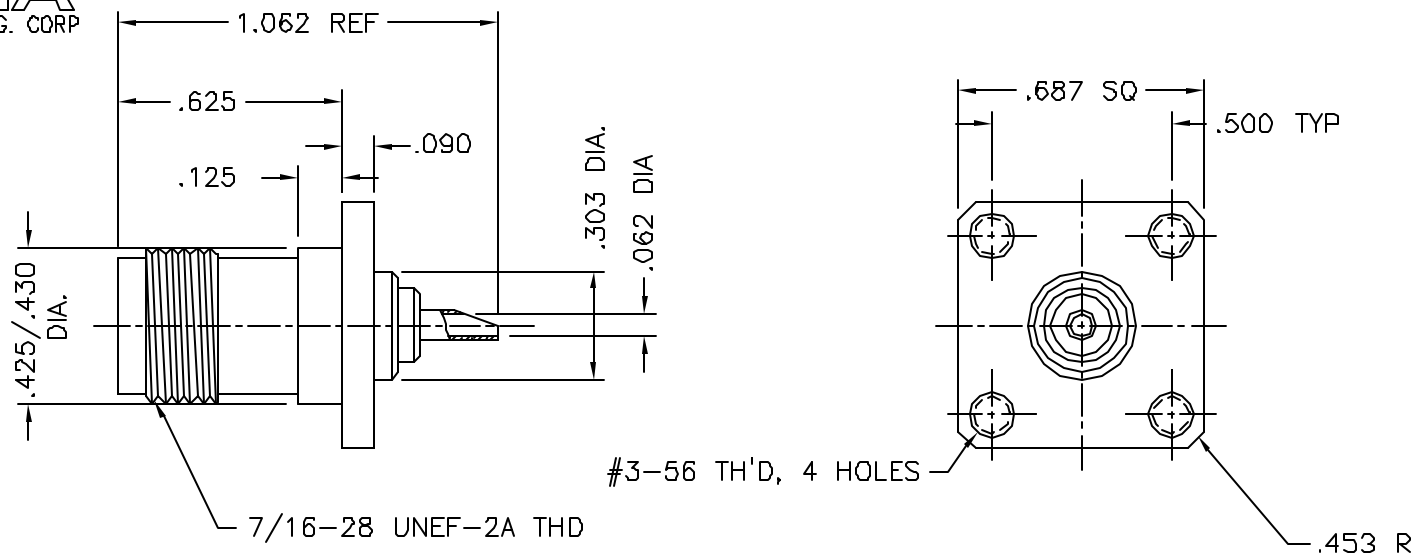
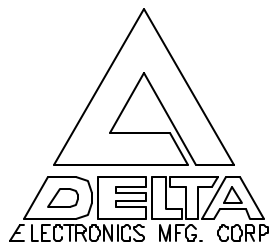


1213-000-N072-5



NOTES:

1. ASSEMBLED CONNECTOR INTERFACE IS DESIGNED IN ACCORDANCE WITH MIL-STD-34B.
EXCEPT POLARIZED JACK (MALE PIN)
2. MATERIAL: BODY- BRASS PER ASTM B16
CONTACT- BERYLLIUM COPPER PER ASTM B196.
INSULATOR- TEFLON PER ASTM D1710
3. FINISHES: BODY- NICKEL PLATE PER QQ-N-290
CONTACT- GOLD PLATE PER MIL-G-45204

-	OUTLINE	9/7/04
ALT.	REVISIONS	DATE

DELTA ELECTRONICS MFG. CORP. Beverly, MA 01915

TITLE: TNC POLARIZED PANEL MOUNT JACK RECEPTACLE - SOLDERPOT TERMINAL

TOLERANCES UNLESS OTHERWISE SPECIFIED: 3 PLACES = ±.005 2 PLACES = ±.01 ANGLES = ±1/2°	Drawn by MR 3/5/03	Scale 2/1	Ckd. by bjm	Appd. by MR	FILE NAME: 1213000N072-005T
	CODE IDENT.-00795		1213-000-N072-5		

THESE DRAWINGS AND SPECIFICATIONS ARE THE PROPERTY OF DELTA ELECTRONICS MFG. CORP. AND SHALL NOT BE REPRODUCED, OR COPIED, OR USED AS THE BASIS FOR THE MANUFACTURE OR SALE OF APPARATUS OR DEVICES WITHOUT THEIR EXPRESS WRITTEN CONSENT.