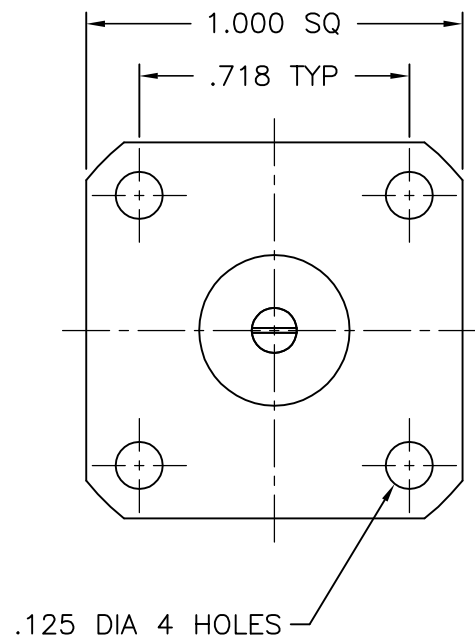
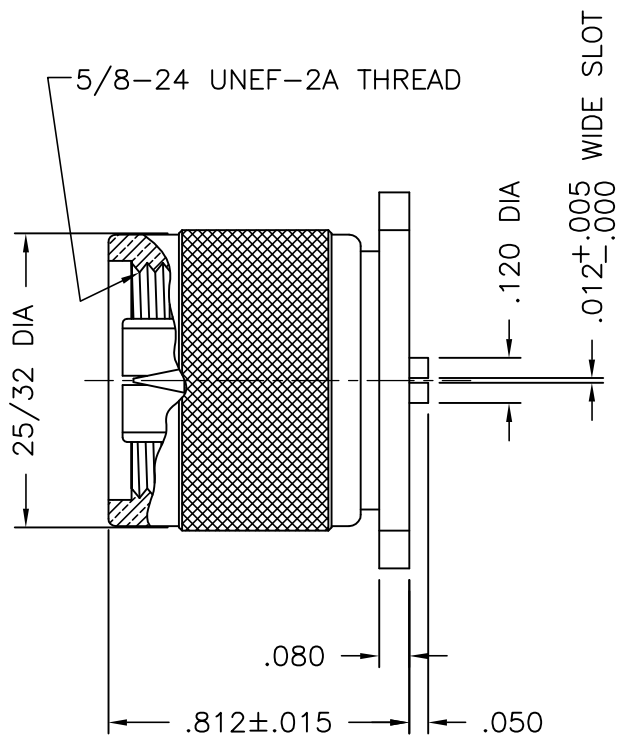




1159-000-N330-13



**NOTES:**

1. ASSEMBLED CONNECTOR INTERFACE IS DESIGNED IN ACCORDANCE WITH MIL-STD-348.
2. MATERIAL: BODY & COUPLING NUT- BRASS PER ASTM B16  
CONTACT - BRASS PER ASTM B16.  
INSULATOR - TEFLON PER ASTM D1710  
GASKET - SILICONE RUBBER PER ZZ-R-765
3. FINISHES: CONTACT - GOLD PLATE PER MIL-G-45204  
ALL OTHER METAL PARTS - NICKEL PLATE PER QQ-N-290

UNLESS OTHERWISE SPECIFIED: TOLERANCES: 3 PLACES = ±.005, 2 PLACES = ±.02, ANGLES = ±1/2', SURFACE FINISH = 63

-	OUTLINE	3/14/02
ALT.	REVISIONS	DATE

DELTA ELECTRONICS MFG. CORP. Beverly, MA 01915				
TITLE: 'N' PANEL MOUNTED PLUG RECEPTACLE - SLOTTED CONTACT				
Drawn by BJM	Scale 2/1	Ckd. by	Engr Appd	FILE NAME: 1159000N331-013T
3/14/02				

THESE DRAWINGS AND SPECIFICATIONS ARE THE PROPERTY OF DELTA ELECTRONICS MFG CORP. AND SHALL NOT BE REPRODUCED, OR COPIED OR USED AS THE BASIS FOR THE MANUFACTURE OR SALE OF APPARATUS OR DEVICES WITHOUT THEIR EXPRESS WRITTEN CONSENT.

CODE IDENT.-00795

1159-000-N330-13