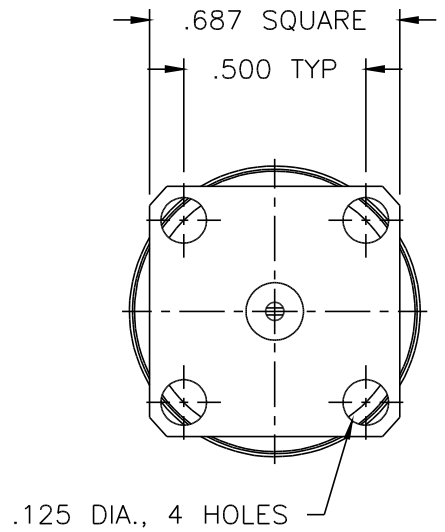
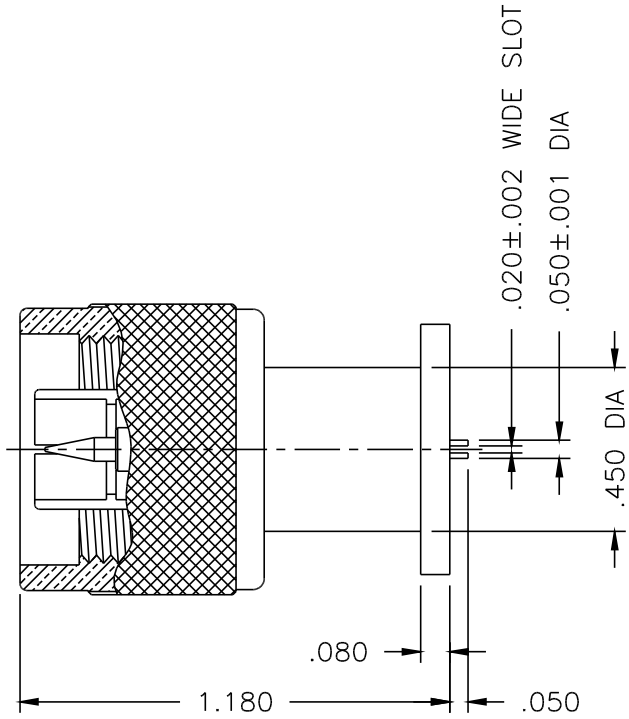


1159-000-N091-4



NOTES:

1. ASSEMBLED CONNECTOR INTERFACE IS DESIGNED IN ACCORDANCE WITH MIL-STD-348.
2. MATERIAL: BODY & COUPLING NUT- BRASS PER ASTM B16
CONTACT - BRASS PER ASTM B16.
INSULATOR - TEFLON PER ASTM D1710
GASKET - SILICONE RUBBER PER ZZ-R-765
3. FINISHES: BODY & COUPLING NUT - NICKEL PLATE PER QQ-N-290
CONTACT - GOLD PLATE PER MIL-G-45204

ALCATEL 500-99 W/EXCEPTIONS

DELTA ELECTRONICS MFG. CORP. Beverly, MA 01915

TITLE: 'N' (M) PANEL MOUNTED RECEPTACLE
CAPTIVE CONTACT WITH 'SMA' INTERFACE

| | | |
|------|-----------|---------|
| A | REDRAWN | 8/8/97 |
| - | OUTLINE | 12/6/90 |
| ALT. | REVISIONS | DATE |

| | | | | |
|-----------------|--------------|---------|-----------|--------------------------------|
| Drawn by RWP | Scale 2/1 | Ckd. by | Engr Appd | FILE NAME: 1159000N091-004T |
| 8/8/97 | | | | |

UNLESS OTHERWISE SPECIFIED: TOLERANCES: 3 PLACES = ±.005, 2 PLACES = ±.02, ANGLES = ±1/2°

THESE DRAWINGS AND SPECIFICATIONS ARE THE PROPERTY OF DELTA ELECTRONICS MFG CORP. AND SHALL NOT BE REPRODUCED, OR COPIED OR USED AS THE BASIS FOR THE MANUFACTURE OR SALE OF APPARATUS OR DEVICES WITHOUT THEIR EXPRESS WRITTEN CONSENT.

CODE IDENT.-00795 1159-000-N091-4