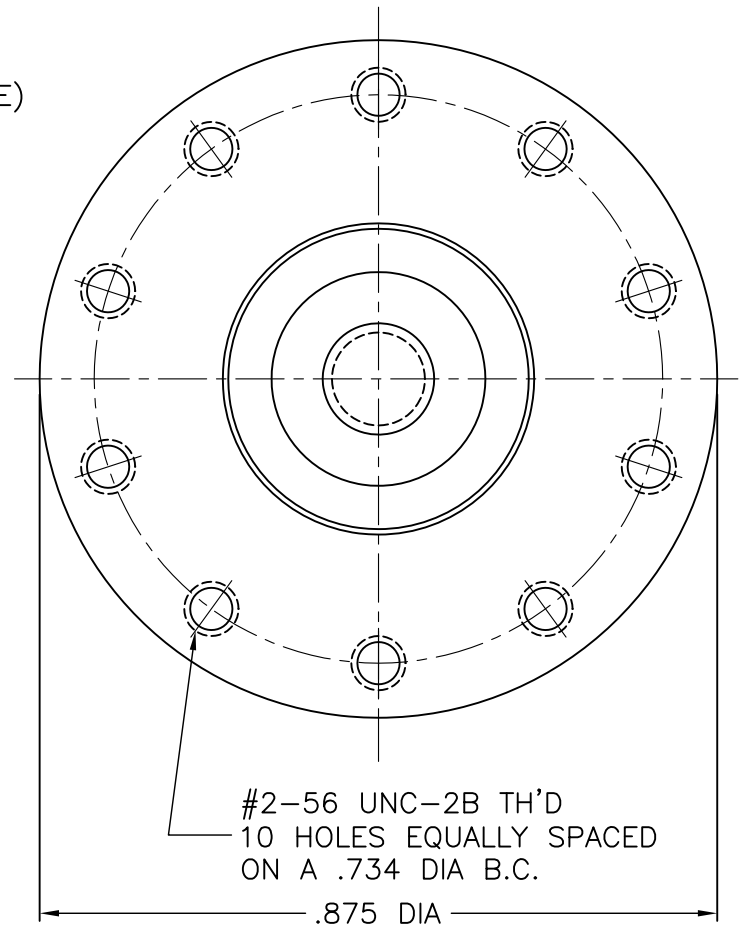
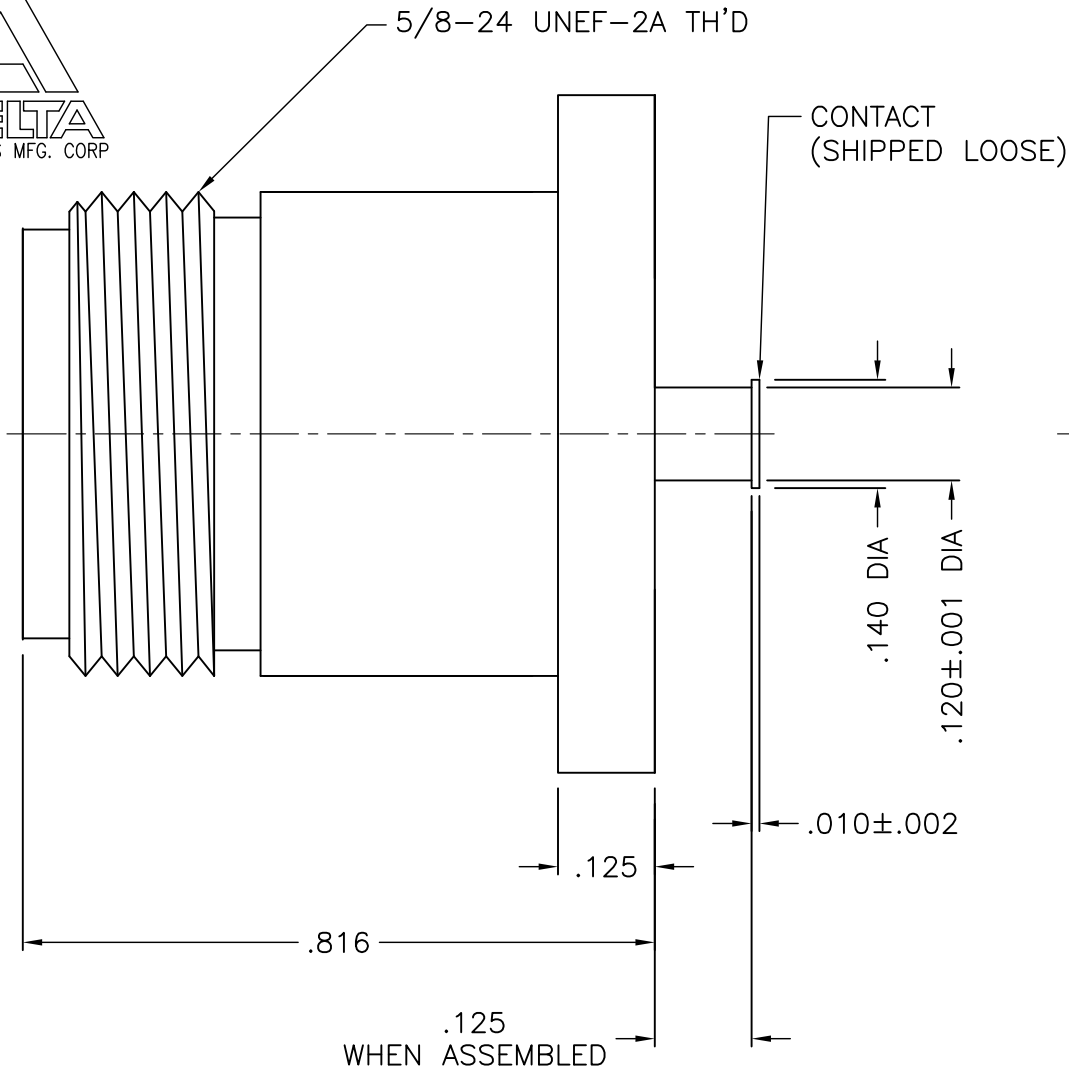




1157000N000-003



NOTES:

1. ASSEMBLED CONNECTOR INTERFACE IS DESIGNED IN ACCORDANCE WITH MIL-STD-348.
2. MATERIAL: BODY - BRASS PER ASTM B16
INSULATOR - TEFLON PER ASTM D4894
CONTACT - BERYLLIUM COPPER PER ASTM B196.
3. FINISHES: BODY - NICKEL PLATE PER SAE-AMS-QQ-N-290
CONTACT - GOLD PLATE PER ASTM B488

UNLESS OTHERWISE SPECIFIED: TOLERANCES: 3 PLACES = ±.005, 2 PLACES = ±.02, ANGLES = ±1/2', SURFACE FINISH = 63	-	OUTLINE	1/24/11
	ALT.	REVISIONS	DATE

DELTA ELECTRONICS MFG. CORP. Beverly, MA 01915

TITLE: 'N' STRIP LINE JACK RECEPTACLE

Drawn by BJM 1/24/11	Scale X/1	Ckd. by MR	Engr Appd MR	FILE NAME: 1157000N000-003T
----------------------------	--------------	---------------	-----------------	--------------------------------

CODE IDENT.-00795 1157000N000-003