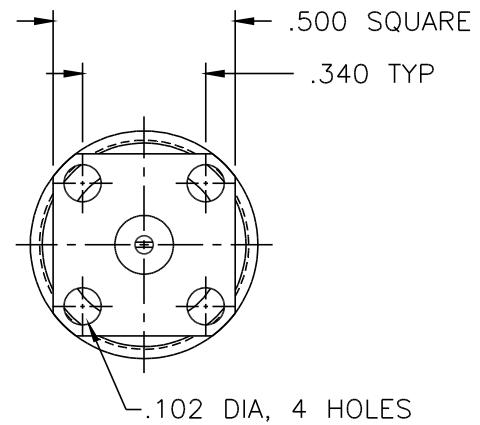
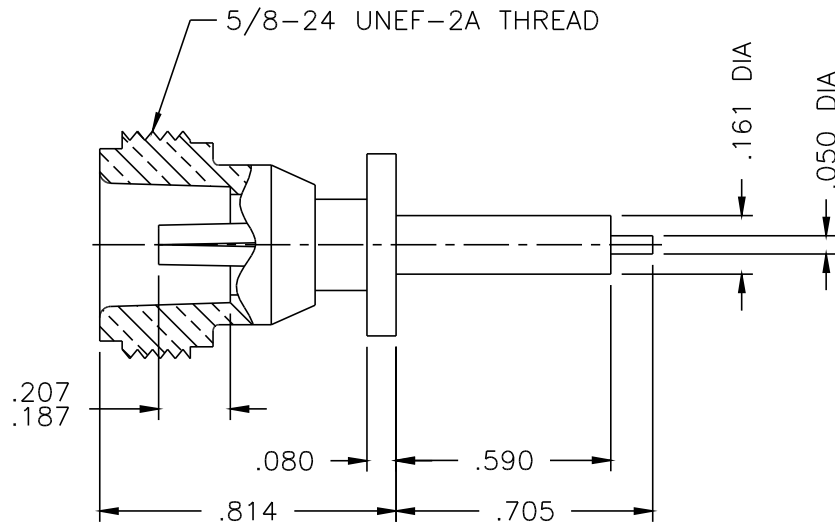




1143-000-N051-2



NOTES:

- ASSEMBLED CONNECTOR INTERFACE IS DESIGNED IN ACCORDANCE WITH MIL-STD-348.
- MATERIAL: BODY - BRASS PER ASTM B16
CONTACT - BERYLLIUM COPPER PER ASTM B196.
INSULATOR - TEFLON PER ASTM D1710
- FINISHES: BODY - NICKEL PLATE PER QQ-N-290
CONTACT - GOLD PLATE PER MIL-G-45204

UNLESS OTHERWISE SPECIFIED: TOLERANCES: 3 PLACES = ±.005, 2 PLACES = ±.02, ANGLES = ±1/2°

B	REVISED (MJA)	9/11/97
A	OUTLINE	3/14/95
ALT.	REVISIONS	DATE

DELTA ELECTRONICS MFG. CORP. Beverly, MA 01915				
TITLE: N (F) PANEL MOUNTED RECEPTACLE, MECHANICALLY CAPTIVATED CONTACT WITH EXTENDED INSULATOR				
Drawn by MR	Scale 2/1	Ckd. by	Engr Appd	FILE NAME: 1143000N051-002T
10/7/94				

THESE DRAWINGS AND SPECIFICATIONS ARE THE PROPERTY OF DELTA ELECTRONICS MFG CORP. AND SHALL NOT BE REPRODUCED, OR COPIED OR USED AS THE BASIS FOR THE MANUFACTURE OR SALE OF APPARATUS OR DEVICES WITHOUT THEIR EXPRESS WRITTEN CONSENT.

CODE IDENT. -00795

1143-000-N051-2