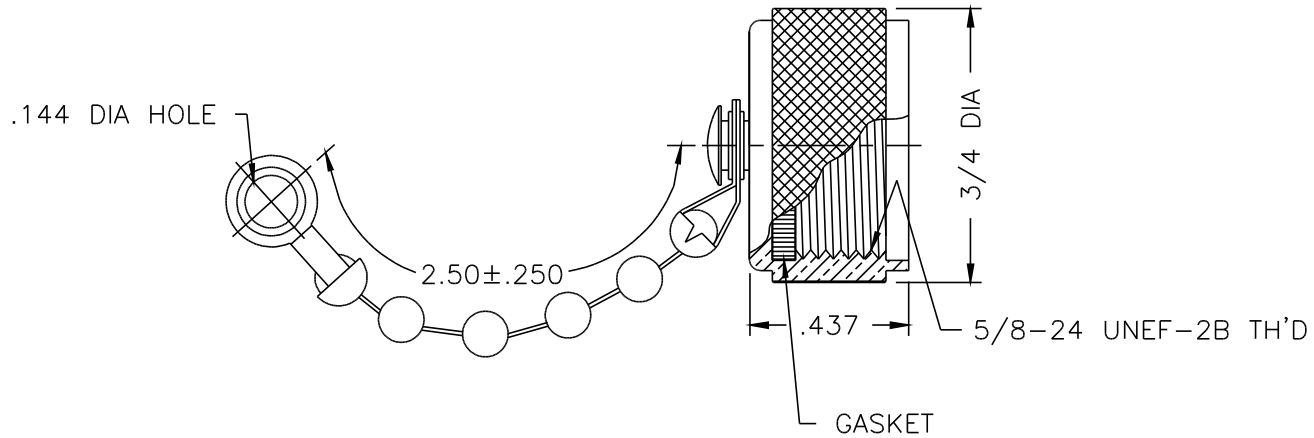




1132-000-A00E



NOTES:

- 1. MATERIAL: CAP, COUPLINGS, & RIVET - BRASS PER ASTM B16
CHAIN - STAINLESS STEEL
GASKET - SILICONE RUBBER PER ZZ-R-765
- 2. FINISHES: CAP & RIVET - SILVER PLATE PER QQ-S-365
BEAD CHAIN - PASSIVATE PER QQ-P-35
COUPLINGS - NICKEL PLATE PER QQ-N-290

M39012/25-0011

DELTA ELECTRONICS MFG. CORP. Beverly, MA 01915

TITLE: "N" DUST CAP WITH BEAD CHAIN

Drawn by BJM	Scale 2/1	Ckd. by	Engr Appd	FILE NAME: 1132000A00E-000T
5/29/2001				

UNLESS OTHERWISE SPECIFIED: TOLERANCES: 3 PLACES = ±.005, 2 PLACES = ±.02, ANGLES = ±1/2°, SURFACE FINISH = 63

-	OUTLINE	5/29/2001
ALT.	REVISIONS	DATE

THESE DRAWINGS AND SPECIFICATIONS ARE THE PROPERTY OF DELTA ELECTRONICS MFG CORP. AND SHALL NOT BE REPRODUCED, OR COPIED OR USED AS THE BASIS FOR THE MANUFACTURE OR SALE OF APPARATUS OR DEVICES WITHOUT THEIR EXPRESS WRITTEN CONSENT.

CODE IDENT.-00795

1132-000-A00E