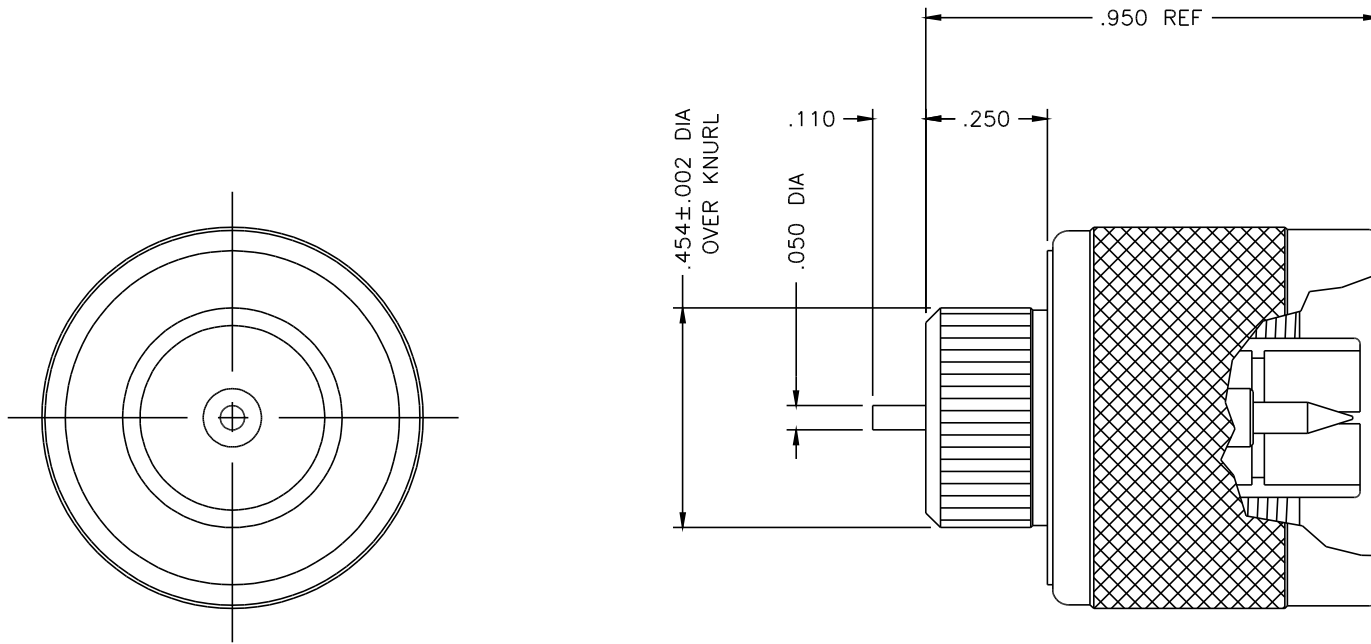


1124-000-N911-1



NOTES:

1. INTERFACE IS IN ACCORDANCE WITH MIL-STD-348.
2. MATERIALS AND FINISHES:
HOUSING, NUT: BRASS, NICKEL-PLATED
CONTACT: BRASS, GOLD-PLATED
INSULATOR: TEFLON PTFE
3. RECOMMENDED MOUNTING HOLE: .450±.001 DIA.

DELTA ELECTRONICS MFG. CORP. Beverly, MA 01915

TITLE		"N" (M) PRESS-MOUNT PANEL RECEPTACLE, PLAIN TERMINAL			
MATERIAL		SEE NOTE 2			
FINISH		SEE NOTE 2			
Drawn by	Scale	Ckd. by	Mfg. Appd.	Engr. Appd.	
MCD	4X				
9/21/94					
CODE IDENT.-00795		1124-000-N911-1			

LB./M	FT./M	Stock Size	A	DATE	ENGR APPD	MFG APPD
			.454±.002 DIA WAS .453±.001 DIA	2/9/95		
TOLERANCES: UNLESS OTHERWISE SPECIFIED; DECIMALS = ±.005, FRACTIONS = ±1/64, ANGLES = ±1/2° REMOVE ALL BURRS AND SHARP EDGES.			-	9/21/94		
THESE DRAWINGS AND SPECIFICATIONS ARE THE PROPERTY OF DELTA ELECTRONICS MFG. CORP. AND SHALL NOT BE REPRODUCED, OR COPIED, OR USED AS THE BASIS FOR THE MANUFACTURE OR SALE OF APPARATUS OR DEVICES WITH- OUT THEIR EXPRESS WRITTEN CONSENT.			Alt.	Revisions	Date	
			FILE NAME:	1124000N911-001T	PLOT @	4/1