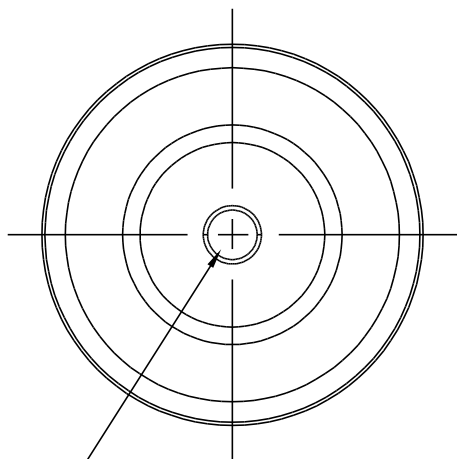
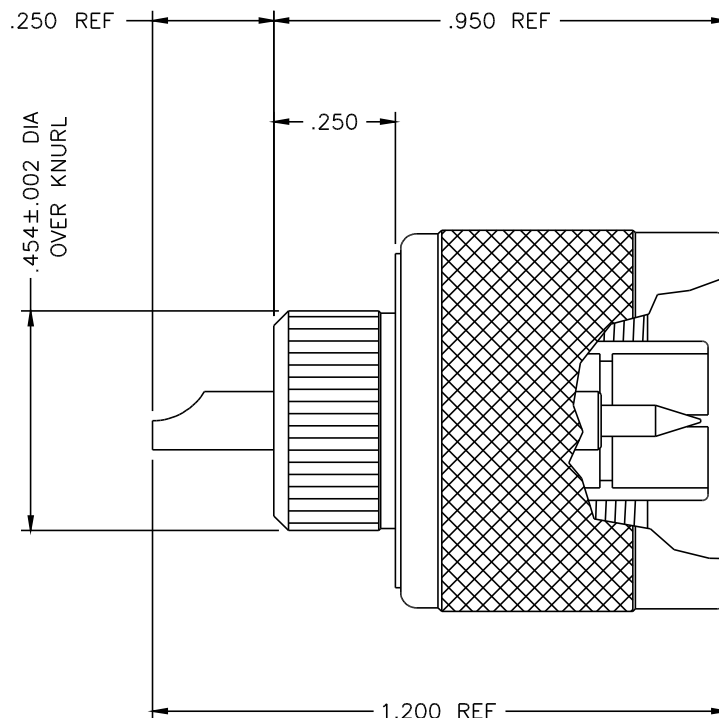


1124-000-N911



.101 DIA x .187 DEEP
SOLDERPOT



NOTES:

1. INTERFACE IS IN ACCORDANCE WITH MIL-STD-348.
2. MATERIALS AND FINISHES:
HOUSING, NUT: BRASS, NICKEL-PLATED
CONTACT: BRASS, GOLD-PLATED
INSULATOR: TEFLON PTFE
3. RECOMMENDED MOUNTING HOLE: .450±.001 DIA.

DELTA ELECTRONICS MFG. CORP. Beverly, MA 01915

TITLE		"N" (M) PRESS-MOUNT PANEL RECEPTACLE			
MATERIAL		SEE NOTE 2			
FINISH		SEE NOTE 2			
Drawn by	Scale	Ckd. by	Mfg. Appd.	Engr. Appd.	
MCD	4X				
4/22/94					
CODE IDENT.-00795		1124-000-N911			

LB./M	FT./M	Stock Size			
B	.454±.002 DIA WAS .453±.001 DIA	MCD	2/9/95		
A	MIL-STD-348 WAS MIL- STD-148, .453±.001 DIA WAS .453±.005 DIA		9/21/94		
-	OUTLINE		4/22/94		
Alt. Revisions			Date	ENGR APPD	MFG APPD
FILE NAME: 1124000N911-000T PLOT @ 4/1					

TOLERANCES: UNLESS OTHERWISE SPECIFIED;
DECIMALS = ±.005, FRACTIONS = ±1/64, ANGLES = ±1/2°
REMOVE ALL BURRS AND SHARP EDGES.

THESE DRAWINGS AND SPECIFICATIONS ARE THE PROPERTY
OF DELTA ELECTRONICS MFG. CORP. AND SHALL NOT BE
REPRODUCED, OR COPIED, OR USED AS THE BASIS FOR THE
MANUFACTURE OR SALE OF APPARATUS OR DEVICES WITH-
OUT THEIR EXPRESS WRITTEN CONSENT.