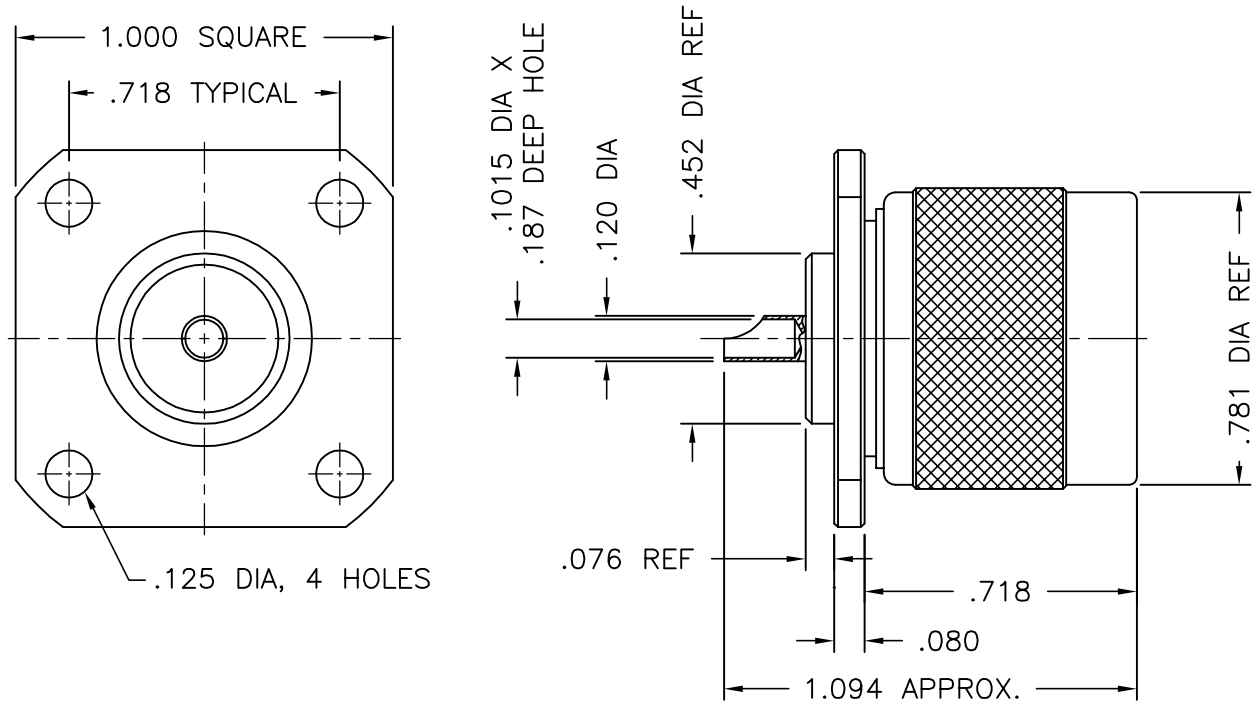




1123-000-N330-4



NOTES:

1. ASSEMBLED CONNECTOR INTERFACE IS DESIGNED IN ACCORDANCE WITH MIL-STD-348.
2. MATERIAL: BODY & COUPLING NUT- BRASS PER ASTM B16
 LOCKING RING - PHOSPHOR BRONZE PER QQ-B-750
 CONTACT - BRASS PER ASTM B16.
 GASKET - SILICONE RUBBER PER ZZ-R-765
 INSULATOR - TEFLON PER ASTM D1710
3. FINISHES: CONTACT - GOLD PLATE PER MIL-G-45024
 ALL OTHER METAL PARTS - NICKEL PLATE PER QQ-N-290

DELTA ELECTRONICS MFG. CORP. Beverly, MA 01915

TITLE: 'N' PANEL MOUNTED JACK RECEPTACLE WITH SOLDER POT CONTACT

UNLESS OTHERWISE SPECIFIED: TOLERANCES: 3 PLACES = ±.005, 2 PLACES = ±.02, ANGLES = ±1/2°, SURFACE FINISH = 63	-	OUTLINE	1/21/03
	ALT.	REVISIONS	DATE

Drawn by BJM 1/21/03	Scale 2/1	Ckd. by	Engr Appd	FILE NAME: 1123000N330-004T
----------------------------	--------------	---------	-----------	--------------------------------

THESE DRAWINGS AND SPECIFICATIONS ARE THE PROPERTY OF DELTA ELECTRONICS MFG CORP. AND SHALL NOT BE REPRODUCED, OR COPIED OR USED AS THE BASIS FOR THE MANUFACTURE OR SALE OF APPARATUS OR DEVICES WITHOUT THEIR EXPRESS WRITTEN CONSENT.

CODE IDENT.-00795 1123-000-N330-4