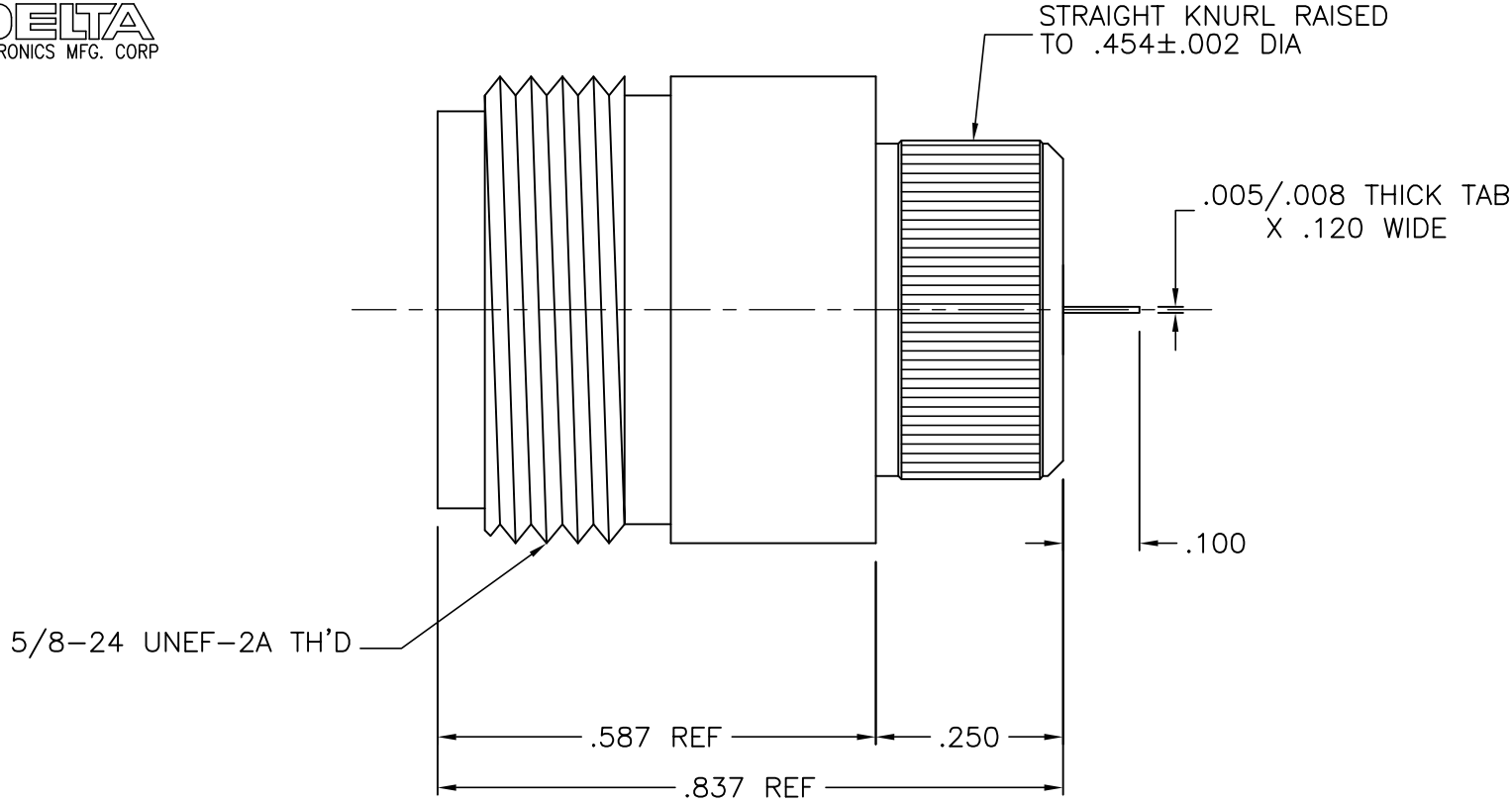




1120-000-N911-3



**NOTES:**

1. ASSEMBLED CONNECTOR INTERFACE IS DESIGNED IN ACCORDANCE WITH MIL-STD-348.
2. MATERIAL: BODY - BRASS PER ASTM B16  
CONTACT - BERYLLIUM COPPER PER ASTM B196.  
INSULATOR - TEFLON PER ASTM D1710
3. FINISHES: BODY - NICKEL PLATE PER QQ-N-290  
CONTACT - GOLD PLATE PER MIL-G-45204

UNLESS OTHERWISE SPECIFIED: TOLERANCES: 3 PLACES = ±.005, 2 PLACES = ±.02, ANGLES = ±1/2°, SURFACE FINISH = 63						- ALT.		OUTLINE REVISIONS	6/17/02 DATE	Drawn by BJM 6/17/02	Scale 4/1	Ckd. by	Engr Appd	FILE NAME: 1120000N911-003T	
THESE DRAWINGS AND SPECIFICATIONS ARE THE PROPERTY OF DELTA ELECTRONICS MFG CORP. AND SHALL NOT BE REPRODUCED, OR COPIED OR USED AS THE BASIS FOR THE MANUFACTURE OR SALE OF APPARATUS OR DEVICES WITHOUT THEIR EXPRESS WRITTEN CONSENT.										CODE IDENT.-00795		1120-000-N911-3			

DELTA ELECTRONICS MFG. CORP. Beverly, MA 01915

TITLE: 'N' PRESS MOUNT JACK RECEPTACLE  
- TAB CONTACT