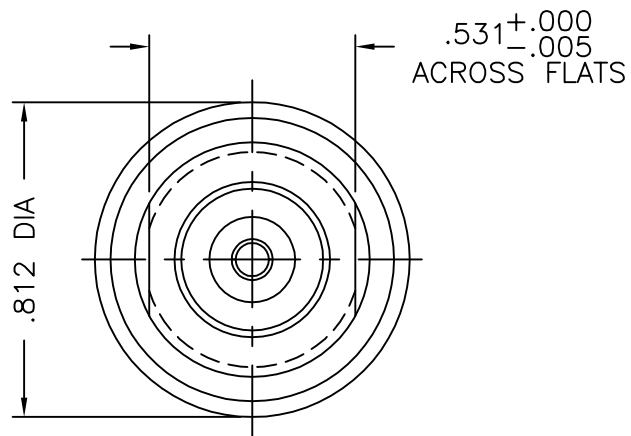
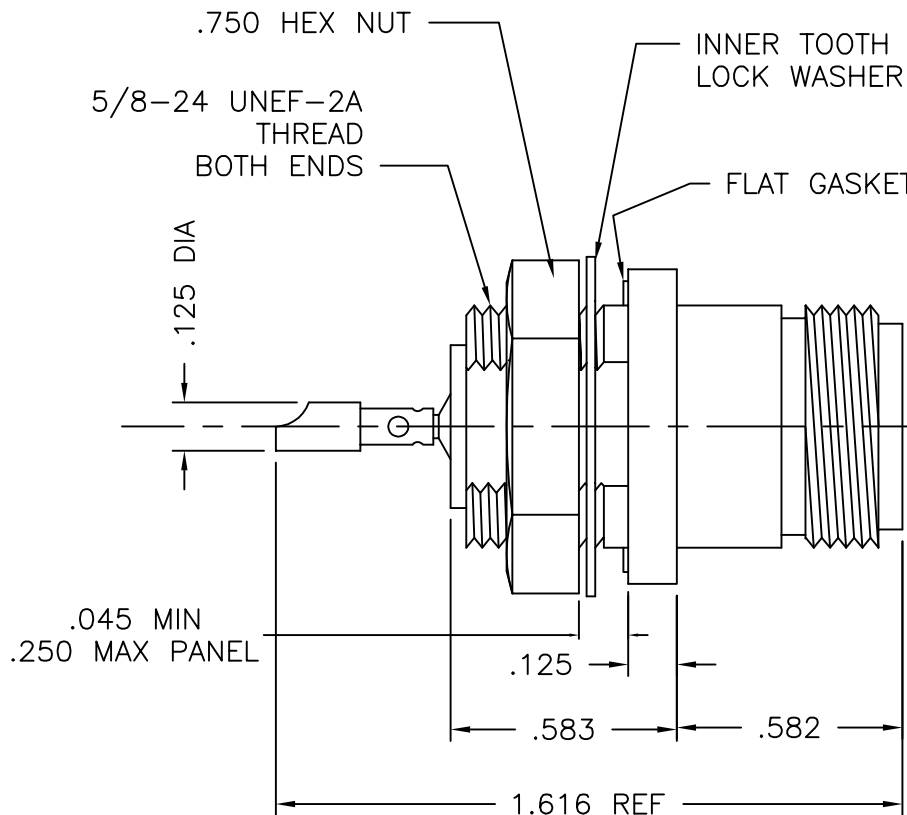




1120000N728-001



VIEW SHOWN WITH HEX NUT AND LOCKWASHER REMOVED



NOTES:

- ASSEMBLED CONNECTOR INTERFACE IS DESIGNED IN ACCORDANCE WITH MIL-STD-348.
- MATERIAL: LOCKWASHER - SPRING STEEL  
CONTACT (INSIDE) - BERYLLIUM COPPER PER ASTM B196.  
INSULATOR - TEFLON PER ASTM D1710  
GASKET - SILICONE RUBBER PER ZZ-R-765  
ALL OTHER PARTS - BRASS PER ASTM B16
- FINISHES: CONTACTS - SILVER PLATE PER QQ-S-365  
HERMETIC SEAL - 60/40 TIN REFLOW  
ALL OTHER METAL PARTS - NICKEL PLATE PER QQ-N-290

UG-680A/U

DELTA ELECTRONICS MFG. CORP. Beverly, MA 01915

TITLE: "N" BULKHEAD HERMETIC JACK RECEPTACLE

Drawn by JAMES 11/14/13	Scale 4/1	Ckd. by ADK	Engr Appd BJM	FILE NAME: 1120000N728-001T
-------------------------------	--------------	----------------	------------------	--------------------------------

UNLESS OTHERWISE SPECIFIED: TOLERANCES: 3 PLACES = ±.005, 2 PLACES = ±.02, ANGLES = ±1/2°, SURFACE FINISH = 63

-	OUTLINE	11/14/13
ALT.	REVISIONS	DATE

THESE DRAWINGS AND SPECIFICATIONS ARE THE PROPERTY OF DELTA ELECTRONICS MFG CORP. AND SHALL NOT BE REPRODUCED, OR COPIED OR USED AS THE BASIS FOR THE MANUFACTURE OR SALE OF APPARATUS OR DEVICES WITHOUT THEIR EXPRESS WRITTEN CONSENT.

CODE IDENT.-00795

1120000N728-001