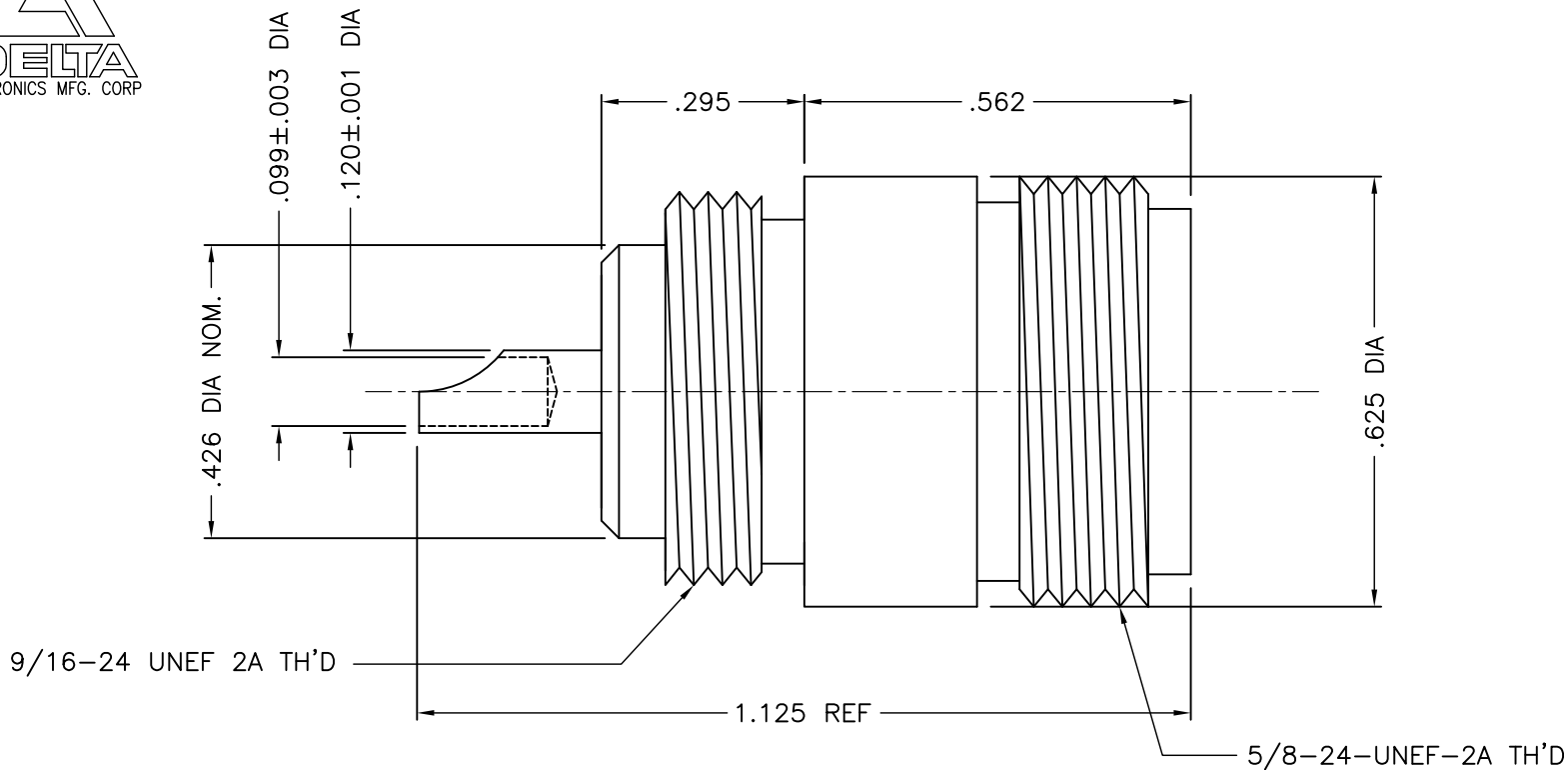




1120-000-N591



NOTES:

- ASSEMBLED CONNECTOR INTERFACE IS DESIGNED IN ACCORDANCE WITH MIL-STD-348.
- MATERIAL: BODY- BRASS PER ASTM B16  
INSULATOR - TEFLON PER ASTM D1710  
CONTACT - BERYLLIUM COPPER PER ASTM B196.  
O'RING - SILICONE RUBBER PER ZZ-R-765
- FINISH: BODY - NICKEL PLATE PER QQ-N-290  
CONTACT - SILVER PLATE PER QQ-S-365

UNLESS OTHERWISE SPECIFIED: TOLERANCES: 3 PLACES = ±.005, 2 PLACES = ±.02, ANGLES = ±1/2', SURFACE FINISH = 63

A	REVISED	10/21/03
-	OUTLINE	5/2/03
ALT.	REVISIONS	DATE

DELTA ELECTRONICS MFG. CORP. Beverly, MA 01915					
TITLE: 'N' BULKHEAD JACK RECEPTACLE - SOLDER POT CONTACT					
Drawn by BJM 5/2/03	Scale 4/1	Ckd. by MR	Engr Appd MR	FILE NAME: 1120000N591-000T	

THESE DRAWINGS AND SPECIFICATIONS ARE THE PROPERTY OF DELTA ELECTRONICS MFG CORP. AND SHALL NOT BE REPRODUCED, OR COPIED OR USED AS THE BASIS FOR THE MANUFACTURE OR SALE OF APPARATUS OR DEVICES WITHOUT THEIR EXPRESS WRITTEN CONSENT.

CODE IDENT.-00795

1120-000-N591