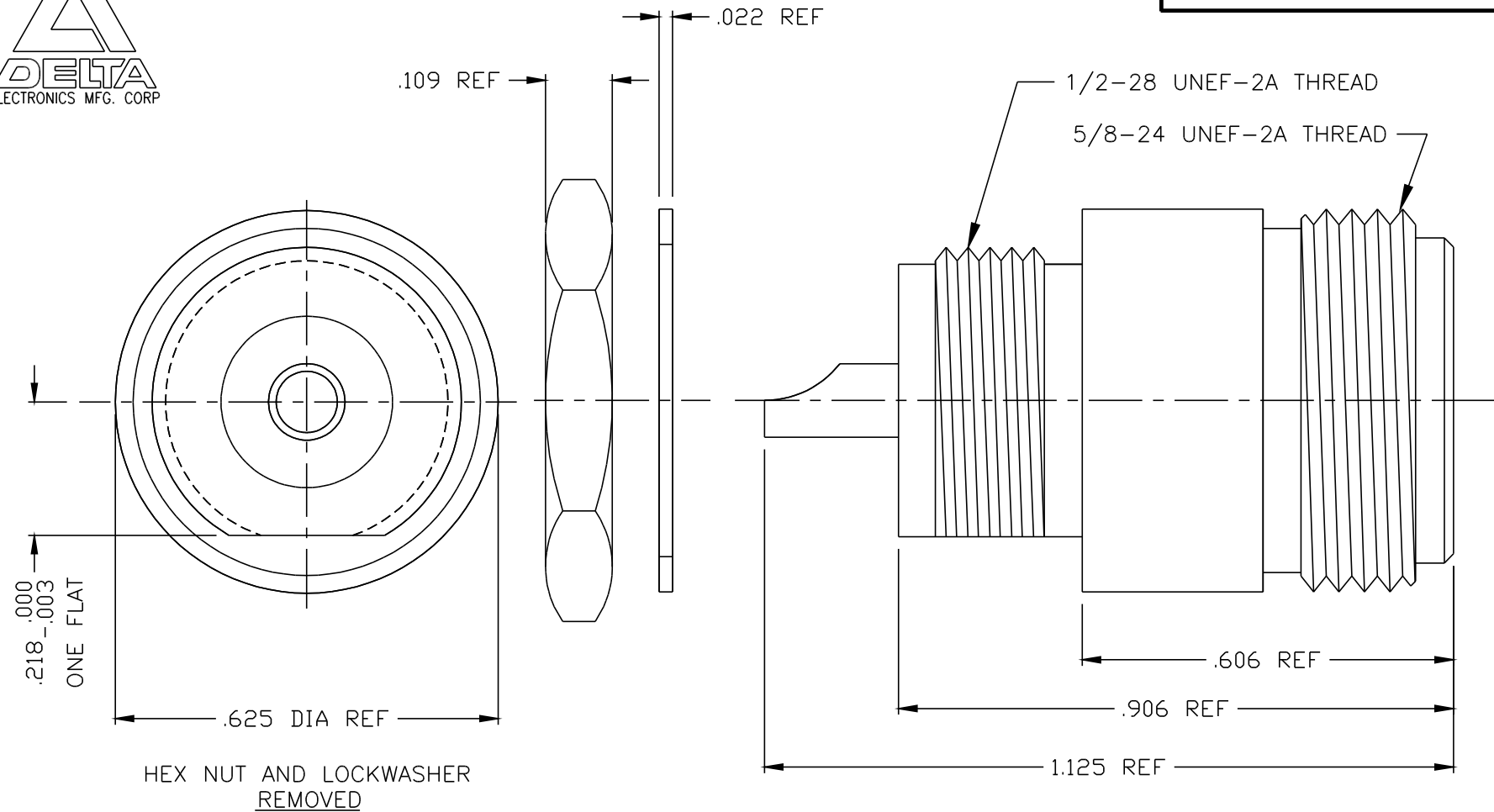




1120-000-N590



NOTES:

1. ASSEMBLED CONNECTOR INTERFACE IS DESIGNED IN ACCORDANCE WITH MIL-STD-348.
2. MATERIAL: ALL METAL PARTS - BRASS PER ASTM B16, EXCEPT, CONTACT - BERYLLIUM COPPER PER ASTM B196, INSULATOR - TEFLON PER ASTM D1710.
3. FINISHES: ALL METAL PARTS - NICKEL PLATE PER QQ-N-290, EXCEPT, CONTACT - SILVER PLATE PER QQ-S-365.

UNLESS OTHERWISE SPECIFIED: TOLERANCES: 3 PLACES = ±.005, 2 PLACES = ±.02, ANGLES = ±1/2°

A	REDRAWN	7-18-96
ALT.	REVISIONS	DATE

DELTA ELECTRONICS MFG. CORP. Beverly, MA 01915

TITLE: 'N' BULKHEAD MOUNTED RECEPTACLE
SOLDER POT CONTACT

Drawn by nct 7-18-96	Scale 4/1	Ckd. by	Engr Appd	FILE NAME: 1120000N590-000T
----------------------------	--------------	---------	-----------	--------------------------------

THESE DRAWINGS AND SPECIFICATIONS ARE THE PROPERTY OF DELTA ELECTRONICS MFG CORP. AND SHALL NOT BE REPRODUCED, OR COPIED OR USED AS THE BASIS FOR THE MANUFACTURE OR SALE OF APPARATUS OR DEVICES WITHOUT THEIR EXPRESS WRITTEN CONSENT.

CODE IDENT. -00795 1120-000-N590