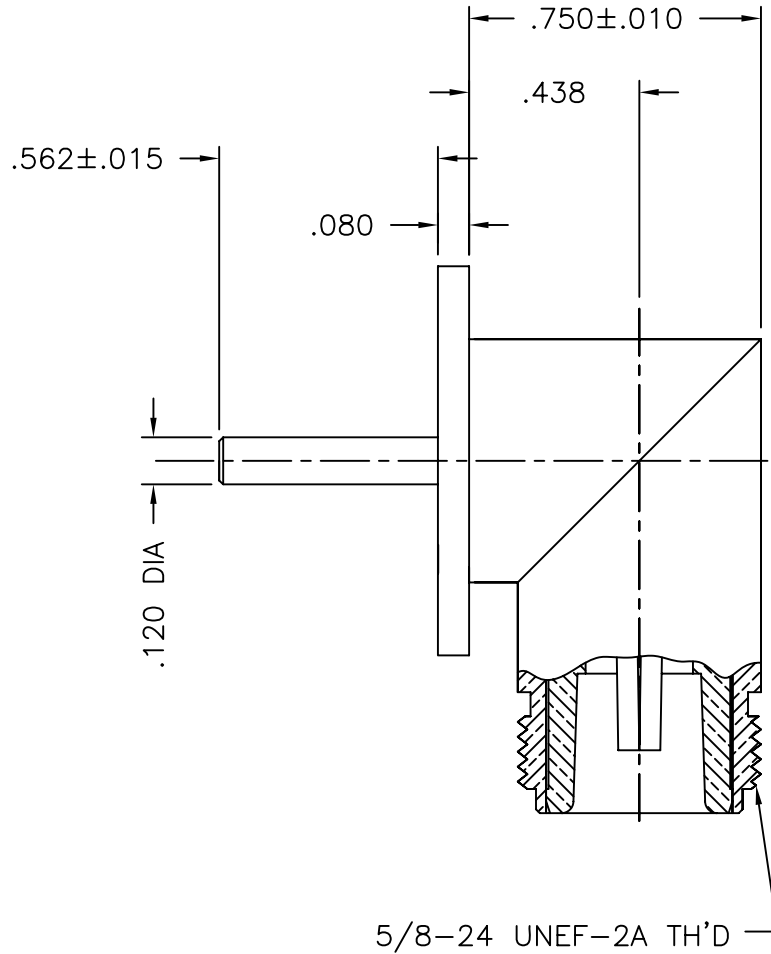
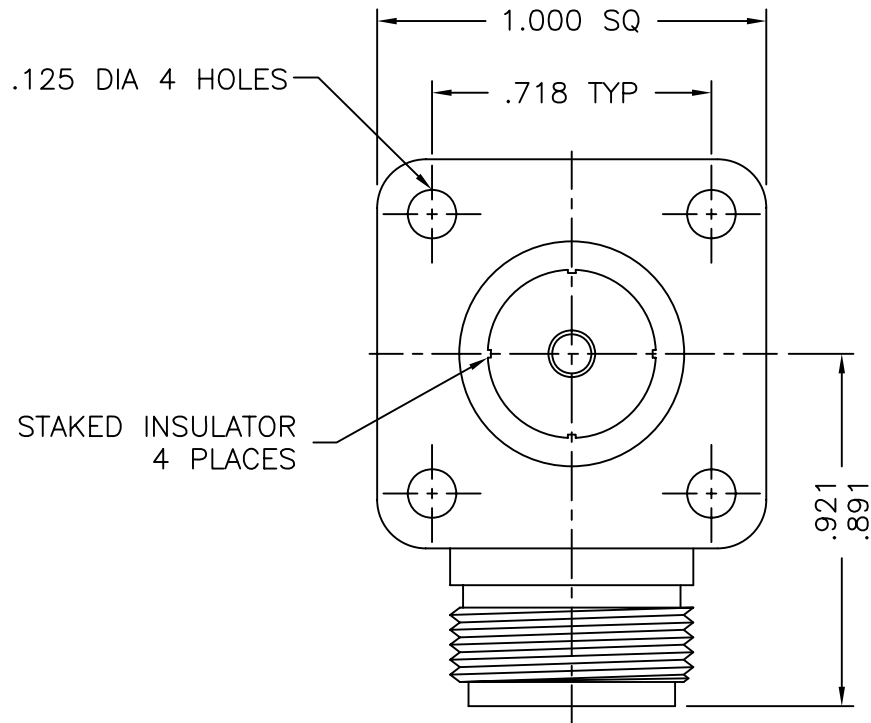




1115-000-N330-12



NOTES:

1. ASSEMBLED CONNECTOR INTERFACE IS DESIGNED IN ACCORDANCE WITH MIL-STD-348.
2. MATERIAL: ALL OTHER METAL PARTS - BRASS PER ASTM B16
 CONTACT - BERYLLIUM COPPER PER ASTM B196.
 INSULATOR - TEFLON PER ASTM D1710
3. FINISHES: CONTACT - GOLD PLATE PER MIL-G-45204
 ALL OTHER METAL PARTS - NICKEL PLATE PER QQ-N-290

UNLESS OTHERWISE SPECIFIED: TOLERANCES: 3 PLACES = ±.005, 2 PLACES = ±.02, ANGLES = ±1/2', SURFACE FINISH = 63

A	REVISED	10/16/06
-	OUTLINE	12/11/00
AL.T.	REVISIONS	DATE

DELTA ELECTRONICS MFG. CORP. Beverly, MA 01915				
TITLE: 'N' RIGHT ANGLE PANEL MOUNT JACK RECEPTACLE - POST CONTACT				
Drawn by BJM 12/11/00	Scale 2/1	Ckd. by MR	Engr Appd MR	FILE NAME: 1115000N330-012T

THESE DRAWINGS AND SPECIFICATIONS ARE THE PROPERTY OF DELTA ELECTRONICS MFG CORP. AND SHALL NOT BE REPRODUCED, OR COPIED OR USED AS THE BASIS FOR THE MANUFACTURE OR SALE OF APPARATUS OR DEVICES WITHOUT THEIR EXPRESS WRITTEN CONSENT.

CODE IDENT.-00795

1115-000-N330-12