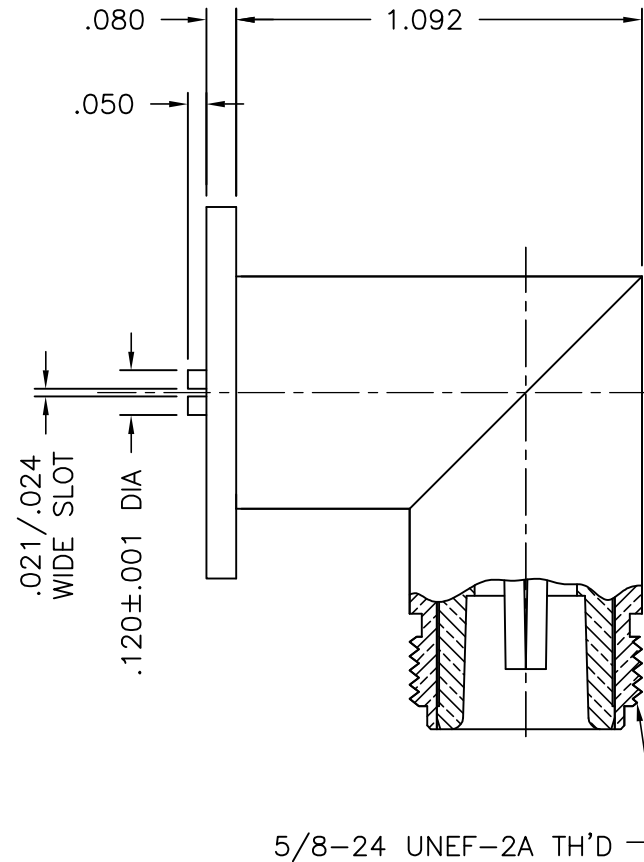
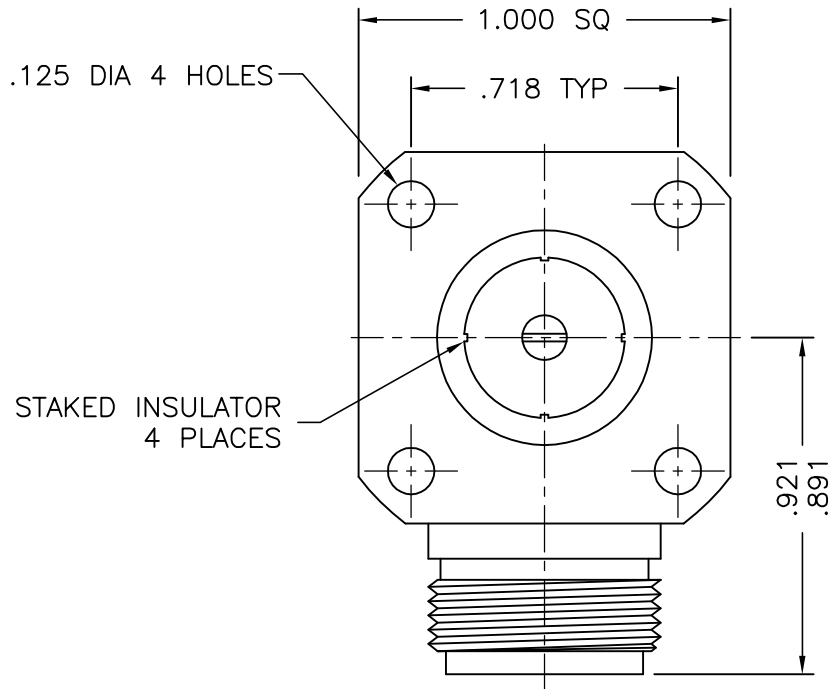




1115-000-N330-11



**NOTES:**

1. ASSEMBLED CONNECTOR INTERFACE IS DESIGNED IN ACCORDANCE WITH MIL-STD-348.
2. MATERIAL: ALL OTHER METAL PARTS - BRASS PER ASTM B16  
 CONTACT - BERYLLIUM COPPER PER ASTM B196.  
 INSULATOR - TEFLON PER ASTM D1710
3. FINISHES: CONTACT - SILVER PLATE PER QQ-S-365  
 ALL OTHER METAL PARTS - NICKEL PLATE PER QQ-N-290

DELTA ELECTRONICS MFG. CORP. Beverly, MA 01915

TITLE: 'N' RIGHT ANGLE PANEL MOUNT  
 JACK RECEPTACLE - SLOTTED CONTACT

UNLESS OTHERWISE SPECIFIED: TOLERANCES: 3 PLACES = ±.005, 2 PLACES = ±.02, ANGLES = ±1/2', SURFACE FINISH = 63	-	OUTLINE	2/7/03
	ALT.	REVISIONS	DATE

Drawn by BJM 2/7/03	Scale 2/1	Ckd. by	Engr Appd	FILE NAME: 1115000N330-011T
---------------------------	--------------	---------	-----------	--------------------------------

THESE DRAWINGS AND SPECIFICATIONS ARE THE PROPERTY OF DELTA ELECTRONICS MFG CORP. AND SHALL NOT BE REPRODUCED, OR COPIED OR USED AS THE BASIS FOR THE MANUFACTURE OR SALE OF APPARATUS OR DEVICES WITHOUT THEIR EXPRESS WRITTEN CONSENT.

CODE IDENT.-00795 1115-000-N330-11