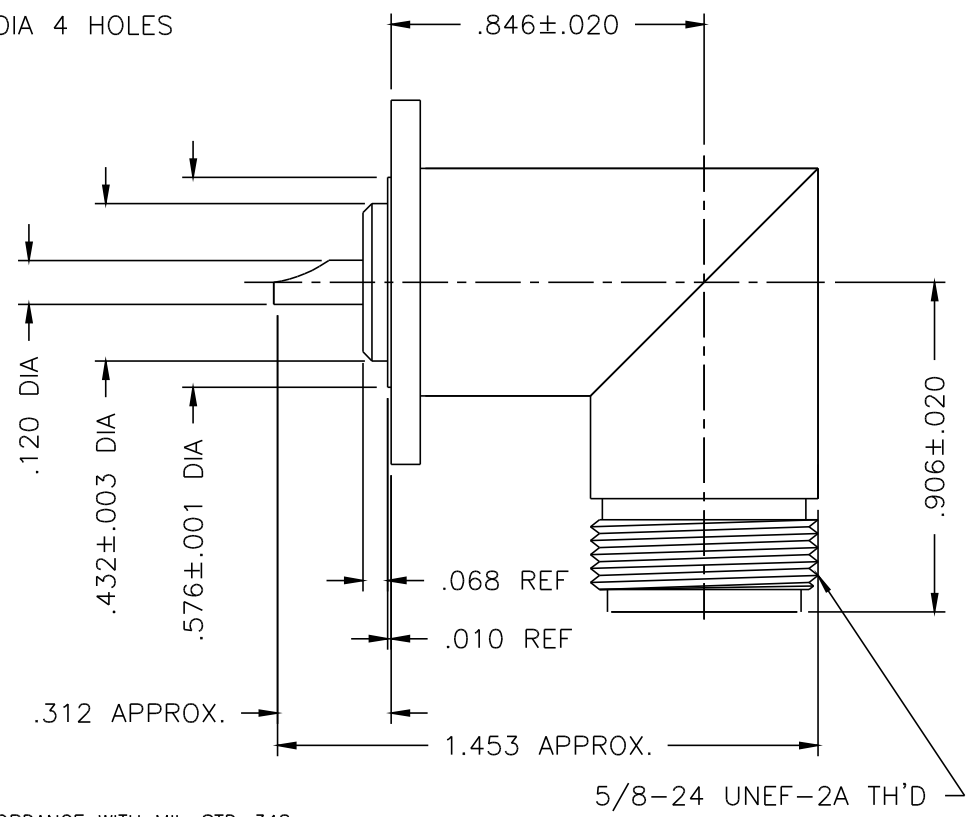
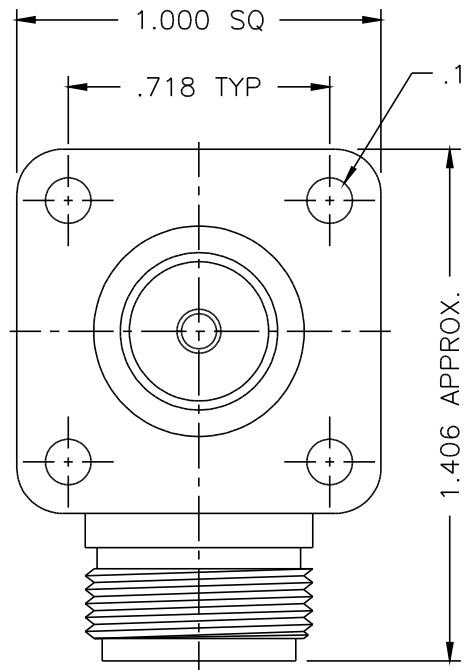




1115-000-N330-2



NOTES:

1. ASSEMBLED CONNECTOR INTERFACE IS DESIGNED IN ACCORDANCE WITH MIL-STD-348.
2. MATERIAL: ALL OTHER METAL PARTS - BRASS PER ASTM B16
CONTACT - BERYLLIUM COPPER PER ASTM B196.
INSULATOR - TEFLON PER ASTM D1710
3. FINISHES: CONTACT - SILVER PLATE PER QQ-S-365
ALL OTHER METAL PARTS - NICKEL PLATE PER QQ-N-290

5/8-24 UNEF-2A TH'D

UG-997 A/U

| | | |
|------|-----------|---------|
| C | REVISED | 1/24/02 |
| B | REVISED | 9/15/00 |
| A | REVISED | 4/29/91 |
| - | OUTLINE | - |
| ALT. | REVISIONS | DATE |

| | | | |
|--|--------------|----------------------|--------------------------------|
| DELTA ELECTRONICS MFG. CORP. Beverly, MA 01915 | | | |
| TITLE: N RIGHT ANGLE PANEL JACK RECEPTACLE - SOLDER POT CONTACT | | | |
| Drawn by BJM 9/15/00 | Scale 2/1 | Ckd. by Engr Appd | FILE NAME: 1115000N330-002T |

UNLESS OTHERWISE SPECIFIED: TOLERANCES: 3 PLACES = ±.005, 2 PLACES = ±.02, ANGLES = ±1/2', SURFACE FINISH = 63

THESE DRAWINGS AND SPECIFICATIONS ARE THE PROPERTY OF DELTA ELECTRONICS MFG CORP. AND SHALL NOT BE REPRODUCED, OR COPIED OR USED AS THE BASIS FOR THE MANUFACTURE OR SALE OF APPARATUS OR DEVICES WITHOUT THEIR EXPRESS WRITTEN CONSENT.

CODE IDENT.-00795

1115-000-N330-2