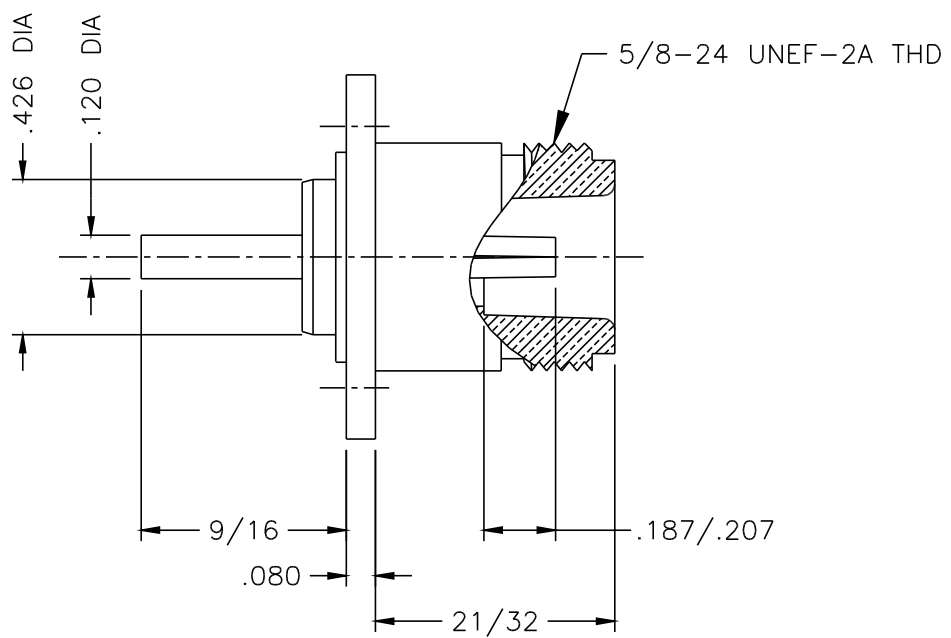
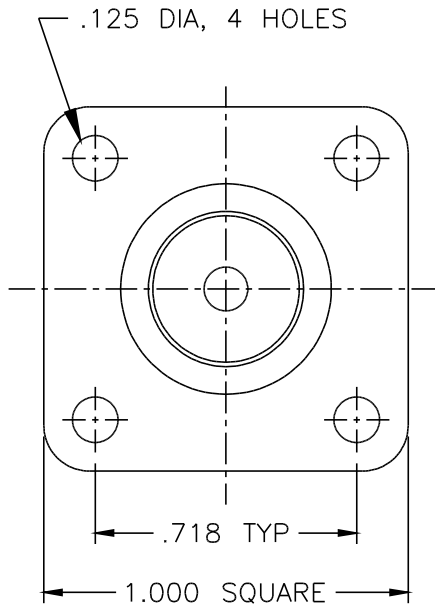




1113-000-N331-28



UNLESS OTHERWISE SPECIFIED:  
TOLERANCES: 3 PLACES = ±.005  
2 PLACES = ±.01  
ANGLES = ±1/2°

- NOTES:
1. ASSEMBLED CONNECTOR INTERFACE IS DESIGNED IN ACCORDANCE WITH MIL-STD-348.
  2. MATERIAL: BODY- BRASS PER ASTM B16  
CONTACT- BERYLLIUM COPPER PER ASTM B196.  
INSULATOR- TEFLON PER ASTM D1710
  3. FINISHES: BODY- NICKEL PLATE PER QQ-N-290  
CONTACT- GOLD PLATE PER MIL-G-45204  
ALL OTHER PARTS DO NOT REQUIRE A FINISH

DELTA ELECTRONICS MFG. CORP. Beverly, MA 01915			
TITLE: 'N' (F) PANEL RECEPTACLE			
Drawn by dgb 7/12/95	Scale 2/1	Ckd. by	FILE NAME: 1113000N331-028T
CODE IDENT.-00795		1113-000-N331-28	