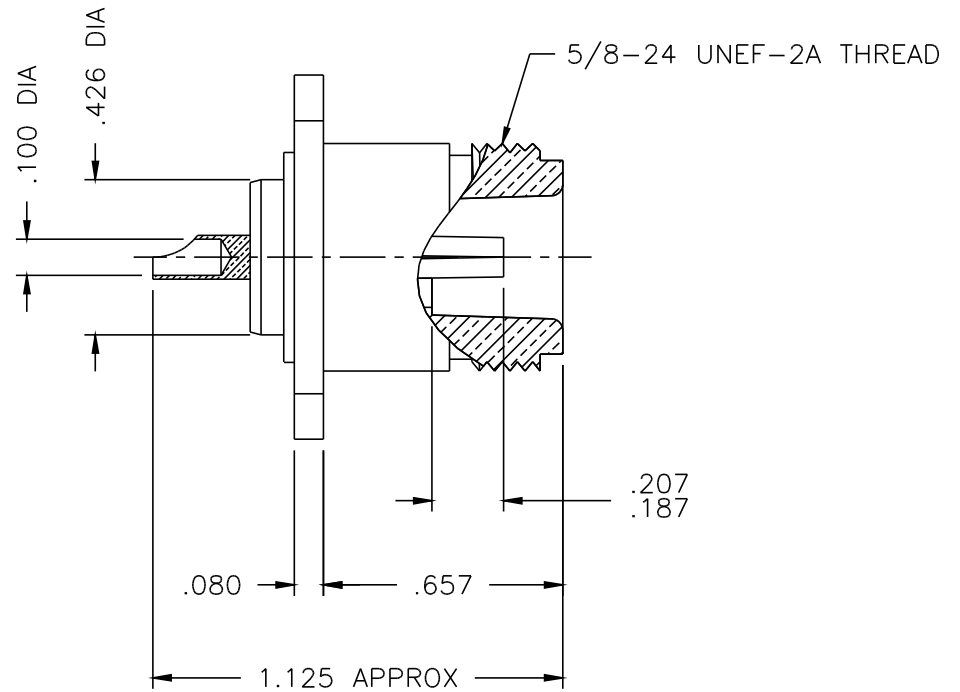
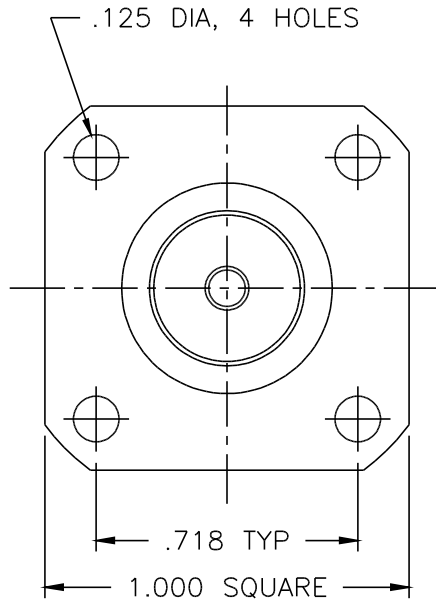




1113-000-N331



NOTES:

- ASSEMBLED CONNECTOR INTERFACE IS DESIGNED IN ACCORDANCE WITH MIL-STD-348.
- MATERIAL: BODY - BRASS PER ASTM B16
CONTACT - BERYLLIUM COPPER PER ASTM B196.
INSULATOR - TEFLON PER ASTM D1710
- FINISHES: BODY - NICKEL PLATE PER QQ-N-290
CONTACT - SILVER PLATE PER QQ-S-365

UG-58A/U

DELTA ELECTRONICS MFG. CORP. Beverly, MA 01915

TITLE: 'N' PANEL MOUNTED JACK RECEPTACLE

Drawn by BJM	Scale 2/1	Ckd. by	Engr Appd	FILE NAME: 1113000N331-000T
5/24/2001				

-	OUTLINE	5/24/2001
ALT.	REVISIONS	DATE

UNLESS OTHERWISE SPECIFIED: TOLERANCES: 3 PLACES = ±.005, 2 PLACES = ±.02, ANGLES = ±1/2', SURFACE FINISH = 63

THESE DRAWINGS AND SPECIFICATIONS ARE THE PROPERTY OF DELTA ELECTRONICS MFG CORP. AND SHALL NOT BE REPRODUCED, OR COPIED OR USED AS THE BASIS FOR THE MANUFACTURE OR SALE OF APPARATUS OR DEVICES WITHOUT THEIR EXPRESS WRITTEN CONSENT.

CODE IDENT.-00795

1113-000-N331