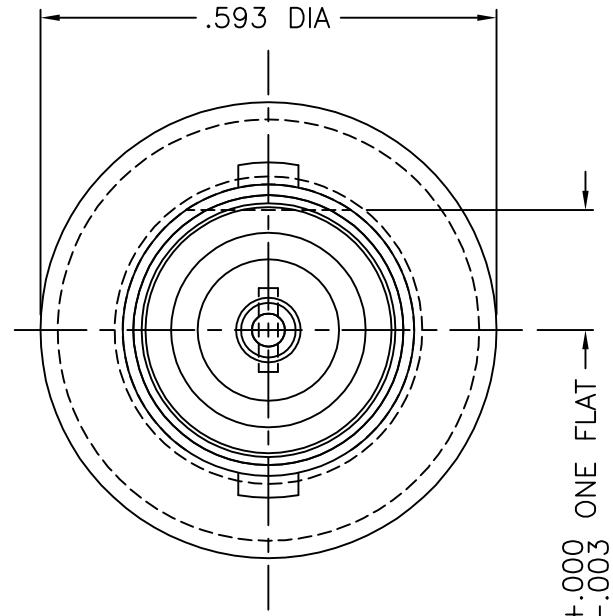
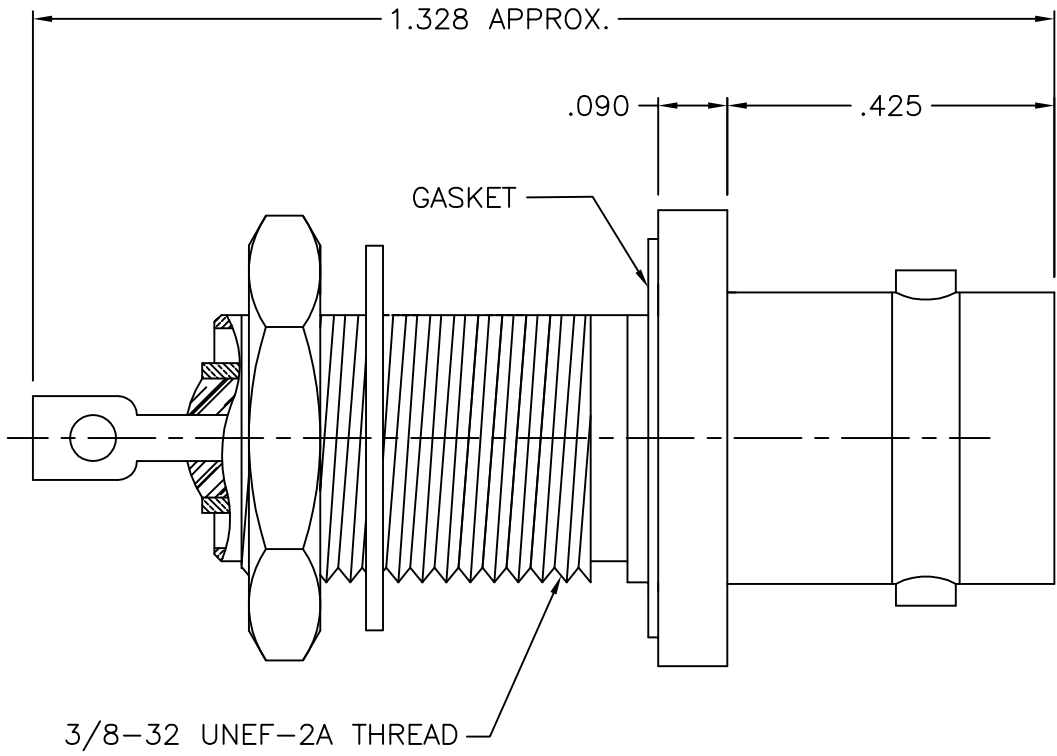




1047000N638-002



VIEW SHOWN WITH HEX. NUT & LOCKWASHER REMOVED

NOTES:

1. ASSEMBLED CONNECTOR INTERFACE IS DESIGNED IN ACCORDANCE WITH MIL-STD-348.
2. MATERIAL: BODY & HEX NUT- BRASS PER ASTM B16
 LOCKWASHER - SPRING STEEL
 CONTACT - BERYLLIUM COPPER PER ASTM B196.
 BUSHING - BRASS PER ASTM B16.
 GASKET - SILICONE RUBBER PER ZZ-R-765
 INSULATOR - TEFLON PER ASTM D1710
3. FINISHES: CONTACT - SILVER PLATE PER QQ-S-365
 ALL OTHER METAL PARTS - NICKEL PLATE PER QQ-N-290

UG-912A/U, NICKEL

DELTA ELECTRONICS MFG. CORP. Beverly, MA 01915

TITLE: 'BNC' BULKHEAD MOUNTED PRESSURIZED RECEPTACLE				
Drawn by ADK 6/16/15	Scale 4/1	Ckd. by	Engr Appd	FILE NAME: 1047000N638-002T

UNLESS OTHERWISE SPECIFIED: TOLERANCES: 3 PLACES = ±.005, 2 PLACES = ±.02, ANGLES = ±1/2°, SURFACE FINISH = 63

-	OUTLINE	6/16/15
ALT.	REVISIONS	DATE

THESE DRAWINGS AND SPECIFICATIONS ARE THE PROPERTY OF DELTA ELECTRONICS MFG CORP. AND SHALL NOT BE REPRODUCED, OR COPIED OR USED AS THE BASIS FOR THE MANUFACTURE OR SALE OF APPARATUS OR DEVICES WITHOUT THEIR EXPRESS WRITTEN CONSENT.

CODE IDENT.-00795

1047000N638-002