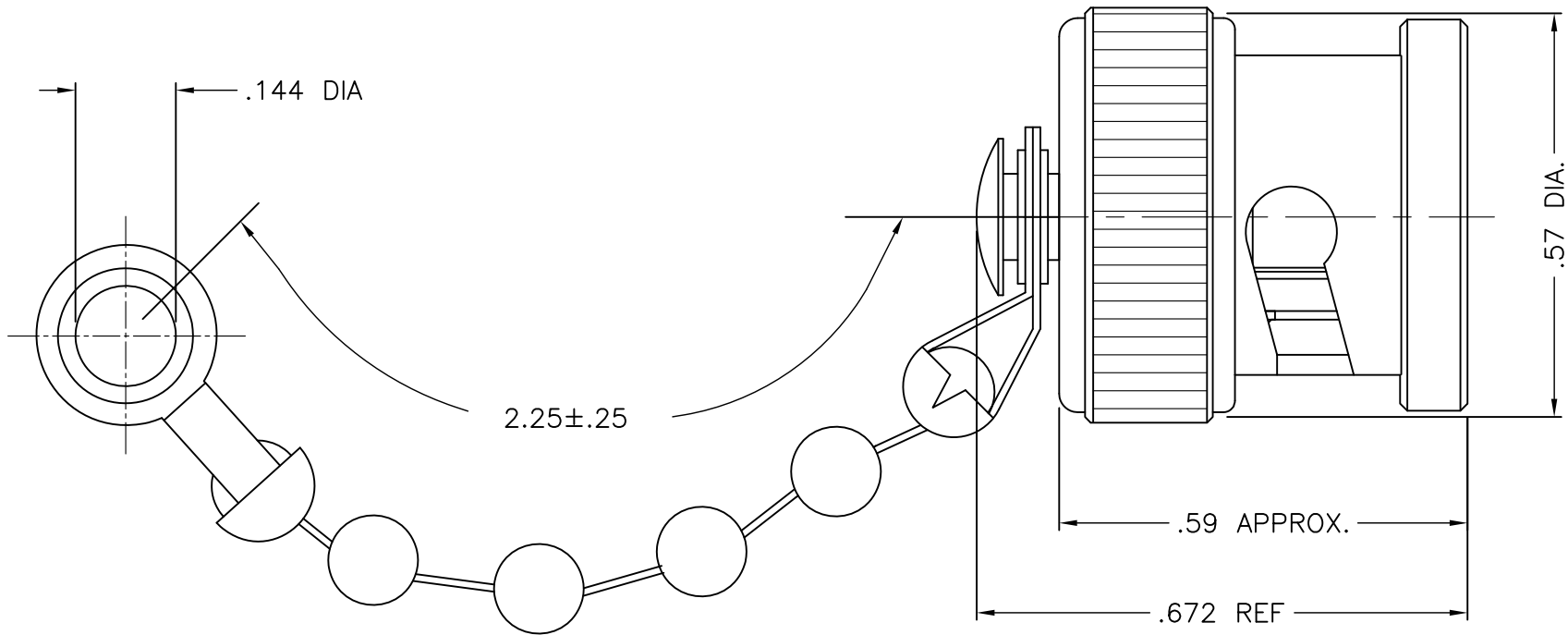




1032-000-A00E



NOTES:

1. MATERIAL: CHAIN - CORROSION RESISTANT STEEL PER ASTM A582
GASKET - SILICONE RUBBER PER ZZ-R-765
ALL OTHER METAL PARTS - BRASS PER ASTM B16.
2. FINISHES: COUPLINGS - NICKEL PLATE PER QQ-N-290
CHAIN - PASSIVATE PER QQ-P-35
ALL OTHER METAL PARTS - SILVER PLATE PER QQ-S-365

M39012/25-0006

DELTA ELECTRONICS MFG. CORP. Beverly, MA 01915

TITLE: BNC DUST CAP FOR BNC JACK
- BEAD CHAIN

UNLESS OTHERWISE SPECIFIED: TOLERANCES: 3 PLACES = ±.005, 2 PLACES = ±.02, ANGLES = ±1/2°, SURFACE FINISH = 63

ALT.	REVISIONS	DATE
-	OUTLINE	11/26/08

Drawn by MR 11/26/08	Scale 4/1	Ckd. by BJM	Engr Appd MR	FILE NAME: 1032000A00E-000T
----------------------------	--------------	----------------	-----------------	--------------------------------

THESE DRAWINGS AND SPECIFICATIONS ARE THE PROPERTY OF DELTA ELECTRONICS MFG CORP. AND SHALL NOT BE REPRODUCED, OR COPIED OR USED AS THE BASIS FOR THE MANUFACTURE OR SALE OF APPARATUS OR DEVICES WITHOUT THEIR EXPRESS WRITTEN CONSENT.

CODE IDENT.-00795

1032-000-A00E