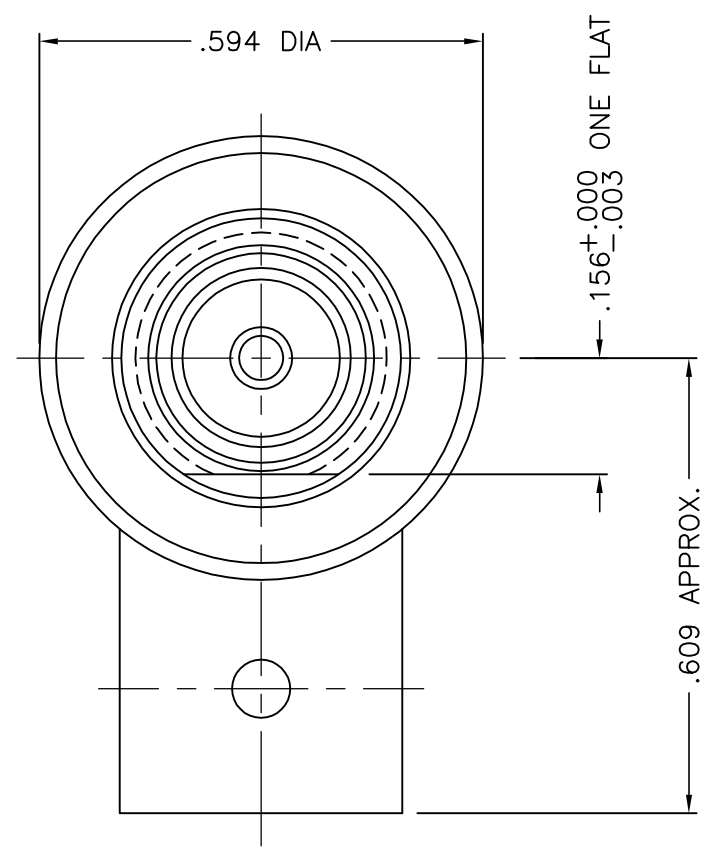
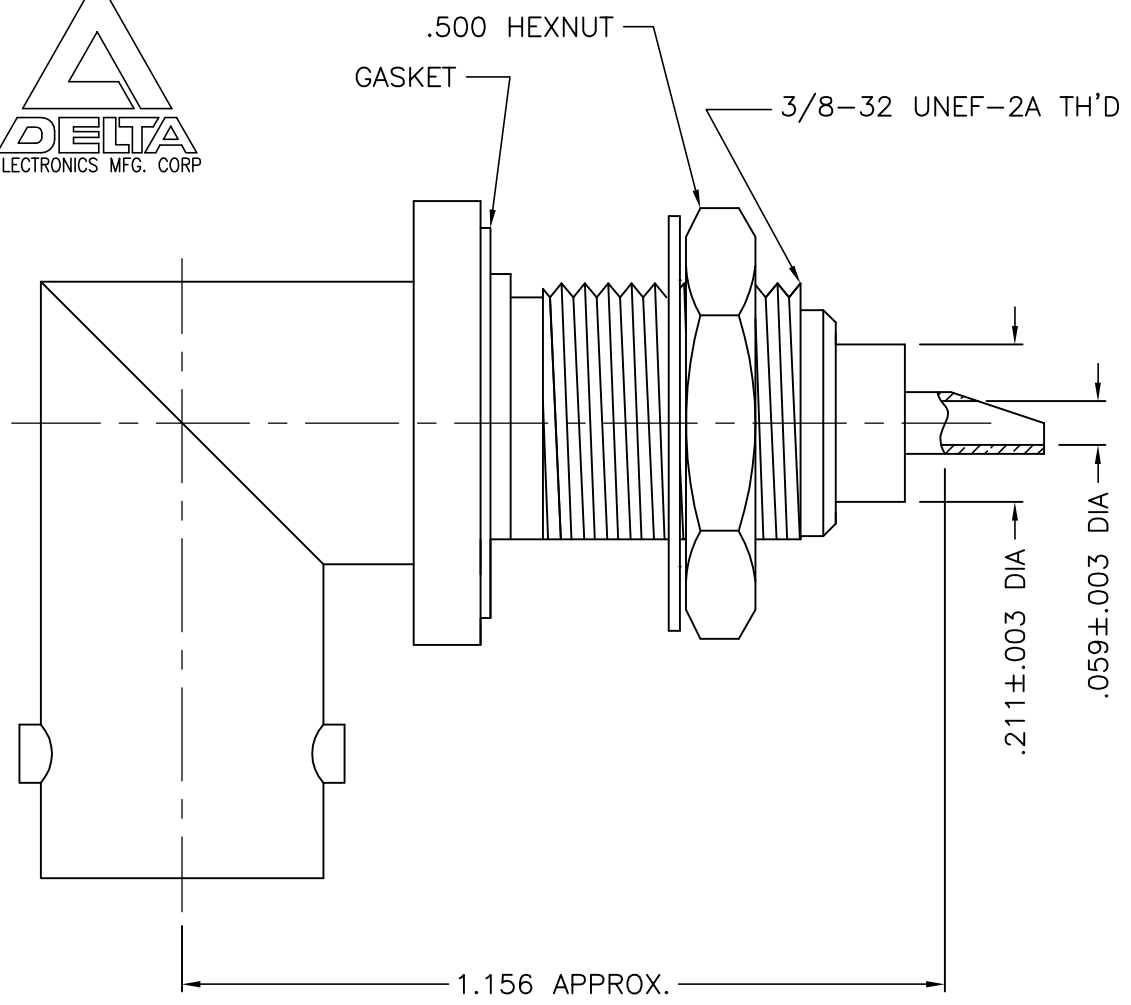




1022-000-N630-2



VIEW SHOWN WITH HEX NUT AND LOCKWASHER REMOVED

NOTES:

1. ASSEMBLED CONNECTOR INTERFACE IS DESIGNED IN ACCORDANCE WITH MIL-STD-348.
2. MATERIAL: CONTACT - BERYLLIUM COPPER PER ASTM B196.  
INSULATORS - TEFLON PER ASTM D1710  
GASKET - SILICONE RUBBER PER ZZ-R-765  
LOCKWASHER - SPRING STEEL  
ALL OTHER METAL PARTS - BRASS PER ASTM B16
3. FINISHES: CONTACT, CONDUCTOR, & BUSHING - SILVER PLATE PER QQ-S-365  
ALL OTHER METAL PARTS - NICKEL PLATE PER QQ-N-290

UG-1098A/U

|   |              |         |                 |                                |  |
|---|--------------|---------|-----------------|--------------------------------|--|
| DELTA ELECTRONICS MFG. CORP. Beverly, MA 01915                |              |         |                 |                                |  |
| TITLE: 'BNC' RIGHT ANGLE/<br>BULKHEAD MOUNTED JACK RECEPTACLE |              |         |                 |                                |  |
| Drawn by<br>BJM   | Scale<br>4/1 | Ckd. by | Engr Appd       | FILE NAME:<br>1022000N630-002T |  |
| 10/18/02  |              |         |                 |                                |  |
| CODE IDENT. -00795  |              |         | 1022-000-N630-2 |                                |  |

|      |           |          |
|------|-----------|----------|
| -    | OUTLINE   | 10/18/02 |
| ALT. | REVISIONS | DATE     |

UNLESS OTHERWISE SPECIFIED: TOLERANCES: 3 PLACES = ±.005, 2 PLACES = ±.02, ANGLES = ±1/2', SURFACE FINISH = 63

THESE DRAWINGS AND SPECIFICATIONS ARE THE PROPERTY OF DELTA ELECTRONICS MFG CORP. AND SHALL NOT BE REPRODUCED, OR COPIED OR USED AS THE BASIS FOR THE MANUFACTURE OR SALE OF APPARATUS OR DEVICES WITHOUT THEIR EXPRESS WRITTEN CONSENT.