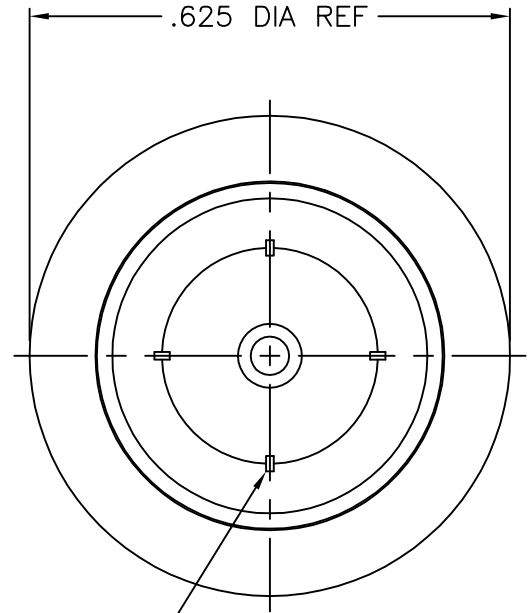
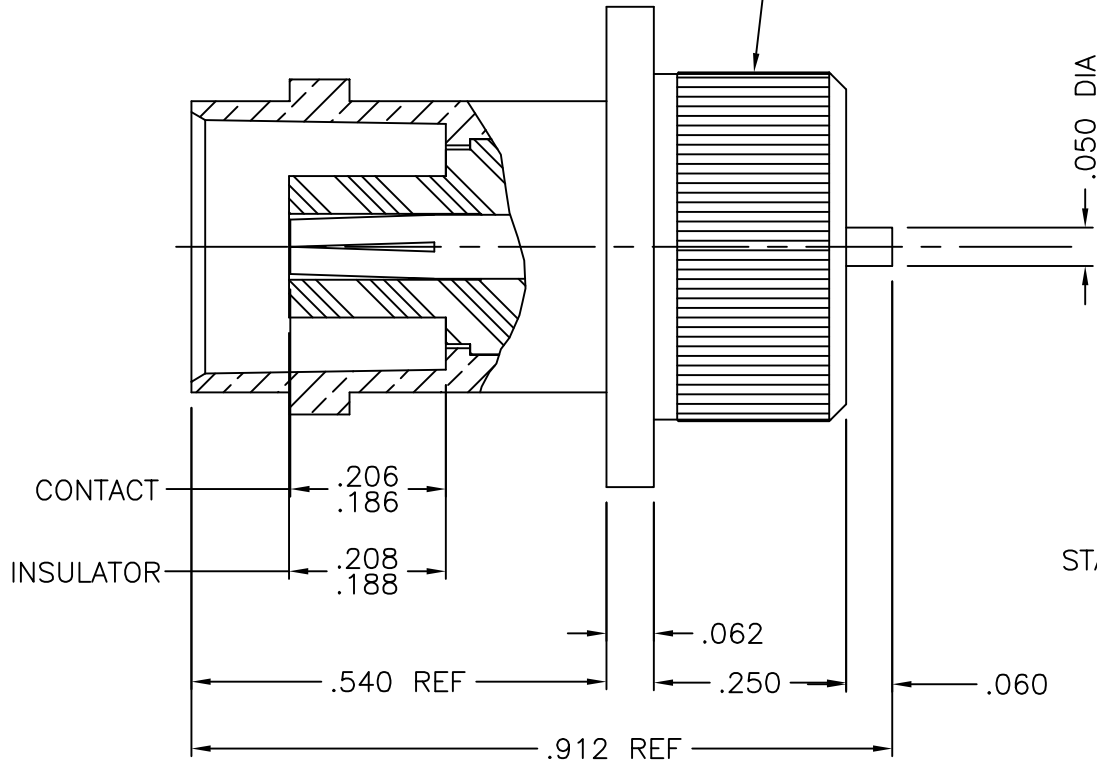




1020000N911-013

STRAIGHT KNURL  
RAISE TO  $.454 \pm .002$  DIA



NOTES:

1. ASSEMBLED CONNECTOR INTERFACE IS DESIGNED IN ACCORDANCE WITH MIL-STD-348.
2. MATERIAL: BODY - BRASS PER ASTM B16  
CONTACT - BERYLLIUM COPPER PER ASTM B196.  
INSULATOR - TEFLON PER ASTM D1710
3. FINISHES: BODY - NICKEL PLATE PER QQ-N-290  
CONTACT - GOLD PLATE PER MIL-G-45204

UNLESS OTHERWISE SPECIFIED: TOLERANCES: 3 PLACES =  $\pm .005$ , 2 PLACES =  $\pm .02$ , ANGLES =  $\pm 1/2^\circ$

|      |           |         |
|------|-----------|---------|
| -    | OUTLINE   | 8/31/11 |
| ALT. | REVISIONS | DATE    |

|   |              |         |           |                                |
|---|--------------|---------|-----------|--------------------------------|
| DELTA ELECTRONICS MFG. CORP. Beverly, MA 01915          |              |         |           |                                |
| TITLE: 'BNC' PRESS MOUNT JACK RECEPTACLE - POST CONTACT |              |         |           |                                |
| Drawn by<br>ADK<br>8/31/11                              | Scale<br>4/1 | Ckd. by | Engr Appd | FILE NAME:<br>1020000N911-013T |

THESE DRAWINGS AND SPECIFICATIONS ARE THE PROPERTY OF DELTA ELECTRONICS MFG CORP. AND SHALL NOT BE REPRODUCED, OR COPIED OR USED AS THE BASIS FOR THE MANUFACTURE OR SALE OF APPARATUS OR DEVICES WITHOUT THEIR EXPRESS WRITTEN CONSENT.

CODE IDENT.-00795

1020000N911-013