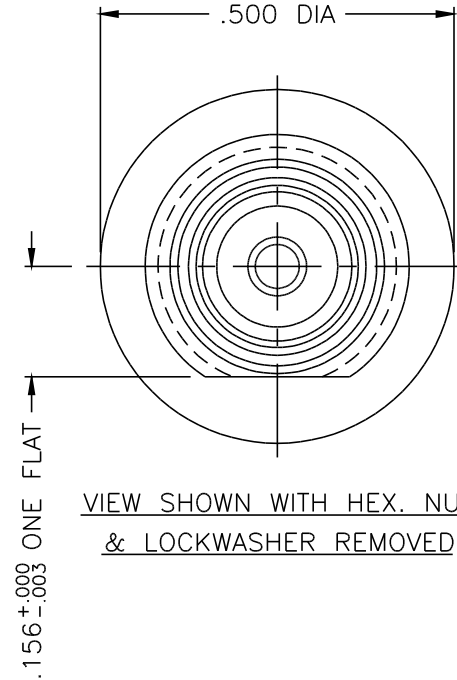
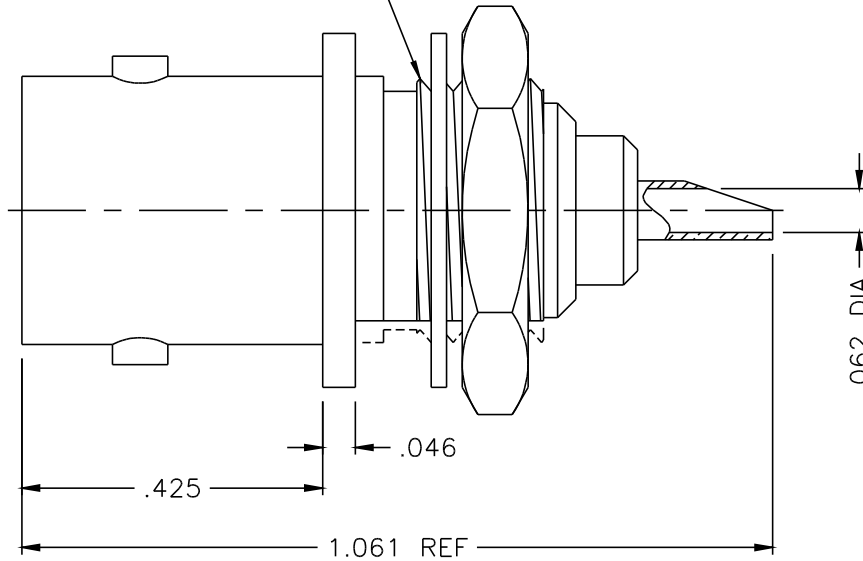




1020-000-N651

3/8-32 UNEF-2A THREAD



VIEW SHOWN WITH HEX. NUT  
& LOCKWASHER REMOVED

NOTES:

1. ASSEMBLED CONNECTOR INTERFACE IS DESIGNED IN ACCORDANCE WITH MIL-STD-348.
2. MATERIAL: CONTACT - BERYLLIUM COPPER PER ASTM B196.  
INSULATOR - TEFLON PER ASTM D1710  
ALL OTHER METAL PARTS - BRASS PER ASTM B16
3. FINISHES: CONTACT - SILVER PLATE PER QQ-S-365  
ALL METAL PARTS - NICKEL PLATE PER QQ-N-290

UG-1094/U

DELTA ELECTRONICS MFG. CORP. Beverly, MA 01915

TITLE: 'BNC' (F) BULKHEAD MOUNTED RECEPTACLE

Drawn by MJA 10/14/97	Scale 4/1	Ckd. by	Engr Appd	FILE NAME: 1020000N651-000T
-----------------------------	--------------	---------	-----------	--------------------------------

UNLESS OTHERWISE SPECIFIED: TOLERANCES: 3 PLACES = ±.005, 2 PLACES = ±.02, ANGLES = ±1/2°

A	OUTLINE	10/14/97
ALT.	REVISIONS	DATE

THESE DRAWINGS AND SPECIFICATIONS ARE THE PROPERTY OF DELTA ELECTRONICS MFG CORP. AND SHALL NOT BE REPRODUCED, OR COPIED OR USED AS THE BASIS FOR THE MANUFACTURE OR SALE OF APPARATUS OR DEVICES WITHOUT THEIR EXPRESS WRITTEN CONSENT.

CODE IDENT.-00795

1020-000-N651