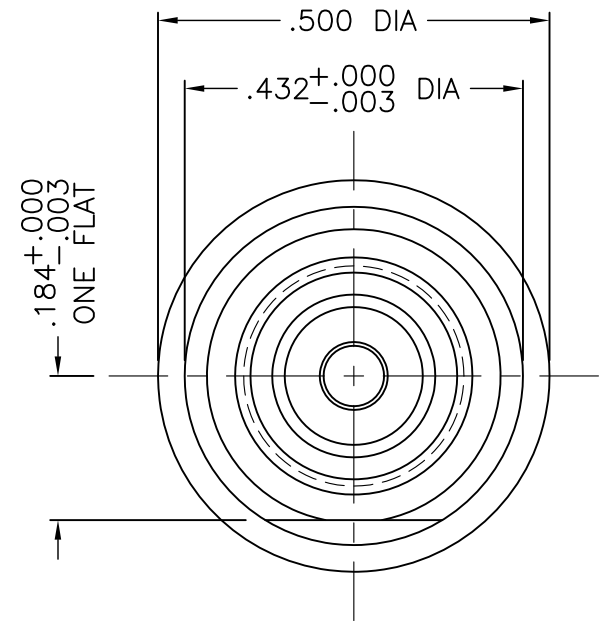
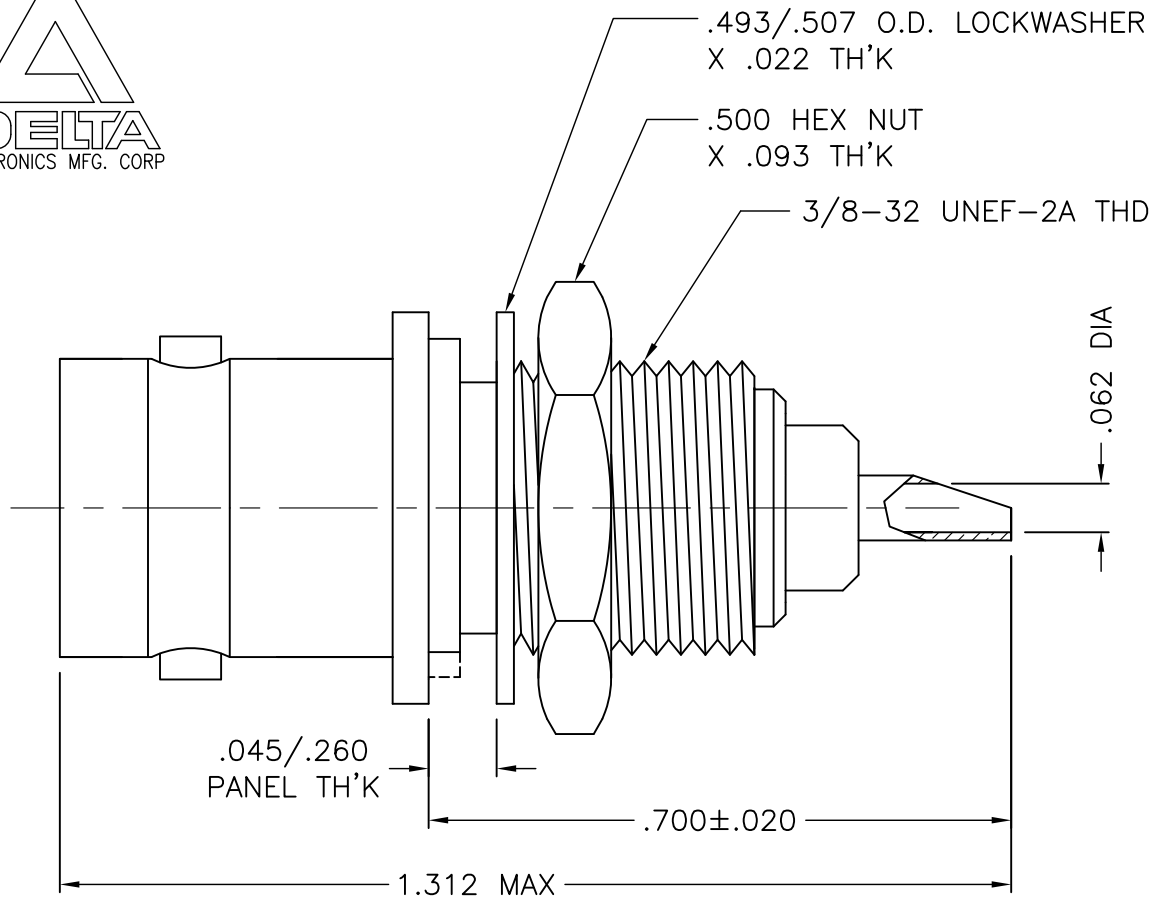




1020-000-A62E-1



VIEW SHOWN WITH HEX NUT & LOCKWASHER REMOVED

NOTES:

- ASSEMBLED CONNECTOR INTERFACE IS DESIGNED IN ACCORDANCE WITH MIL-STD-348.
- MATERIAL: BODY & HEX NUT- BRASS PER ASTM B16
 LOCKWASHER - PHOSPHOR BRONZE PER QQ-B-750
 CONTACT - BERYLLIUM COPPER PER ASTM B196
 INSULATOR - TEFLON PER ASTM D1710
- FINISHES: CONTACT - GOLD PLATE PER ASTM B488
 ALL OTHER METAL PARTS - SILVER PLATE PER ASTM B700

M39012/21-0003

DELTA ELECTRONICS MFG. CORP. Beverly, MA 01915

TITLE: 'BNC' BULKHEAD JACK RECEPTACLE
 - SOLDER POT CONTACT

UNLESS OTHERWISE SPECIFIED: TOLERANCES: 3 PLACES = ±.005, 2 PLACES = ±.02, ANGLES = ±1/2', SURFACE FINISH = 63	-	OUTLINE	11/26/08
	ALT.	REVISIONS	DATE

Drawn by MR	Scale 4/1	Ckd. by BJM	Engr Appd MR	FILE NAME: 1020000A62E-001T
----------------	--------------	----------------	-----------------	--------------------------------

THESE DRAWINGS AND SPECIFICATIONS ARE THE PROPERTY OF DELTA ELECTRONICS MFG CORP. AND SHALL NOT BE REPRODUCED, OR COPIED OR USED AS THE BASIS FOR THE MANUFACTURE OR SALE OF APPARATUS OR DEVICES WITHOUT THEIR EXPRESS WRITTEN CONSENT.

CODE IDENT.-00795

1020-000-A62E-1