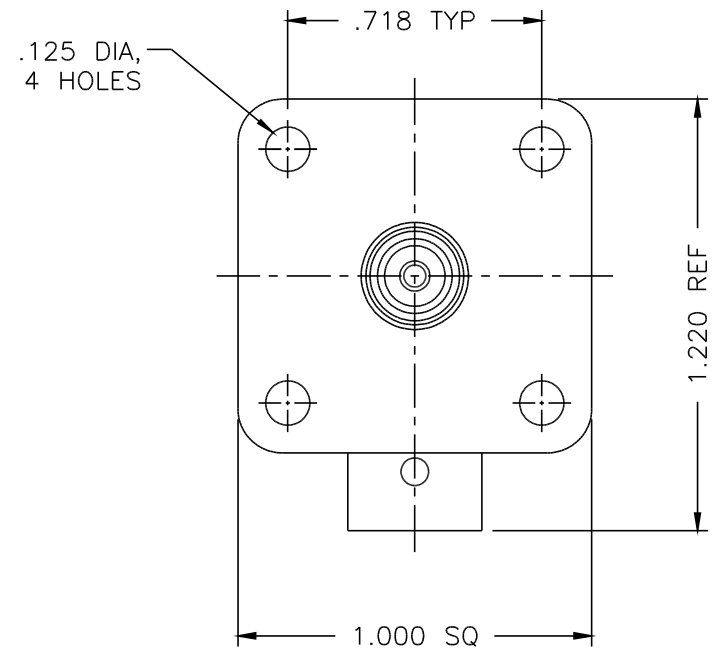
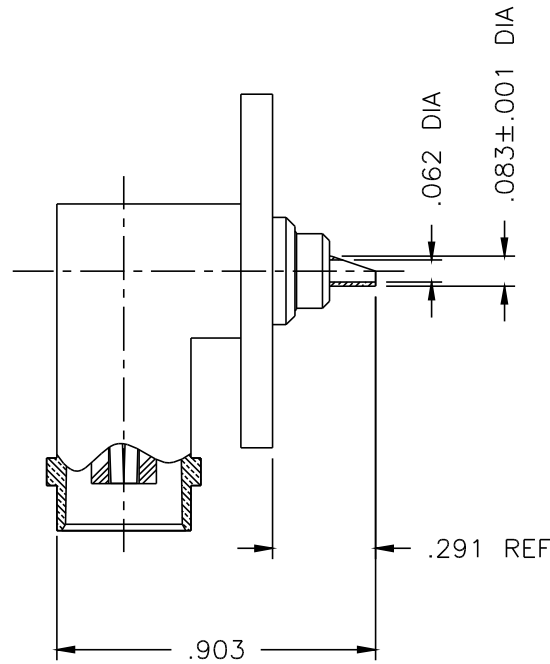


1015-000-N330



NOTES:

1. ASSEMBLED CONNECTOR INTERFACE IS DESIGNED IN ACCORDANCE WITH MIL-STD-348.
2. MATERIAL: BODY & HEX NUT- BRASS PER ASTM B16
90° CONTACT - BRASS PER ASTM B16.
CONTACT - BERYLLIUM COPPER PER ASTM B196.
INSULATOR - TEFLON PER ASTM D1710
3. FINISHES: BODY - NICKEL PLATE PER QQ-N-290
CONTACT - SILVER PLATE PER QQ-S-365

A	REVISED	DATE
-	OUTLINE	9/21/93
ALT.	REVISIONS	DATE

DELTA ELECTRONICS MFG. CORP. Beverly, MA 01915

TITLE:
'BNC' (F) RT ANGLE PANEL MOUNTED RECEPTACLE

Drawn by MJA 9/10/97	Scale 2/1	Ckd. by	Engr Appd	FILE NAME: 1015000N330-000T
----------------------------	--------------	---------	-----------	--------------------------------

CODE IDENT.-00795 1015-000-N330

UNLESS OTHERWISE SPECIFIED: TOLERANCES: 3 PLACES = ±.005, 2 PLACES = ±.02, ANGLES = ±1/2°

THESE DRAWINGS AND SPECIFICATIONS ARE THE PROPERTY OF DELTA ELECTRONICS MFG CORP. AND SHALL NOT BE REPRODUCED, OR COPIED OR USED AS THE BASIS FOR THE MANUFACTURE OR SALE OF APPARATUS OR DEVICES WITHOUT THEIR EXPRESS WRITTEN CONSENT.