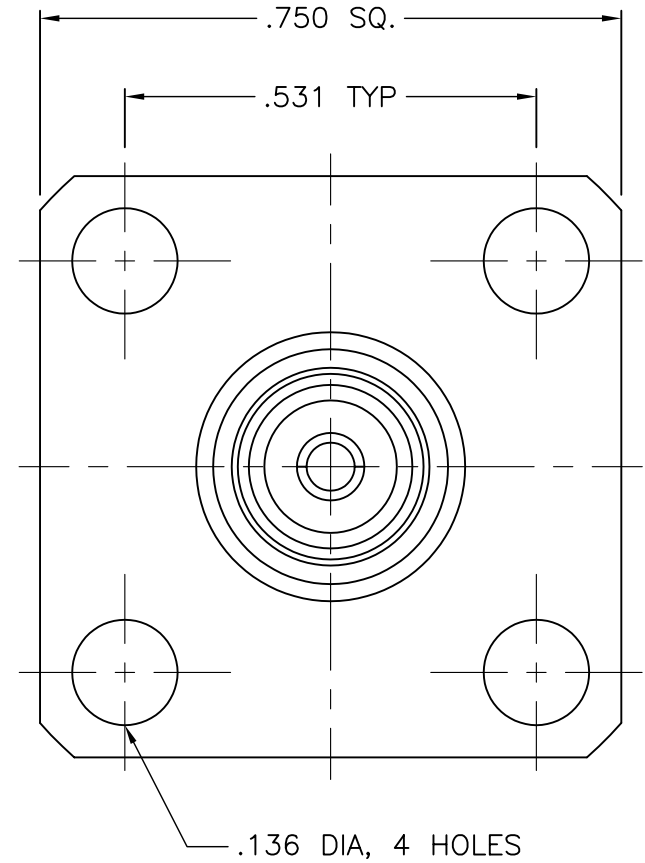
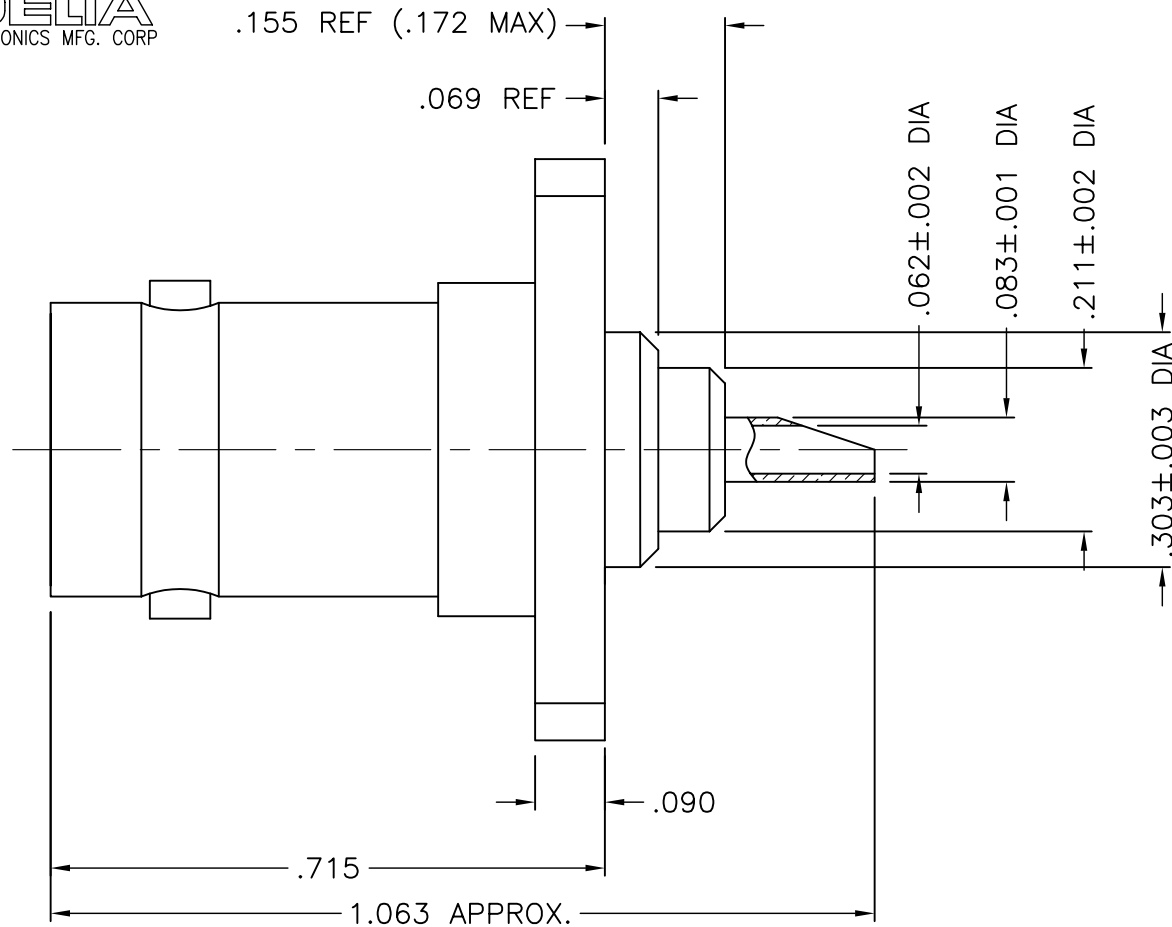


1013-000-N180



NOTES:

1. ASSEMBLED CONNECTOR INTERFACE IS DESIGNED IN ACCORDANCE WITH MIL-STD-348.
2. MATERIAL: INSULATOR - TEFLON PER ASTM D1710
CONTACT - BERYLLIUM COPPER PER ASTM B196
BODY - BRASS PER ASTM B16
3. FINISHES: CONTACT - GOLD PLATE PER MIL-G-45204
BODY - NICKEL PLATE PER QQ-N-290

UNLESS OTHERWISE SPECIFIED: TOLERANCES: 3 PLACES = ±.005, 2 PLACES = ±.02, ANGLES = ±1/2°, SURFACE FINISH = 63

-	OUTLINE	1/20/05
ALT.	REVISIONS	DATE

DELTA ELECTRONICS MFG. CORP. Beverly, MA 01915				
TITLE: 'BNC' PANEL MOUNTED JACK RECEPTACLE - SOLDER POT CONTACT				
Drawn by BJM 1/20/05	Scale 4/1	Ckd. by MR	Engr Appd MR	FILE NAME: 1013000N180-000T
CODE IDENT.-00795		1013-000-N180		

THESE DRAWINGS AND SPECIFICATIONS ARE THE PROPERTY OF DELTA ELECTRONICS MFG CORP. AND SHALL NOT BE REPRODUCED, OR COPIED OR USED AS THE BASIS FOR THE MANUFACTURE OR SALE OF APPARATUS OR DEVICES WITHOUT THEIR EXPRESS WRITTEN CONSENT.