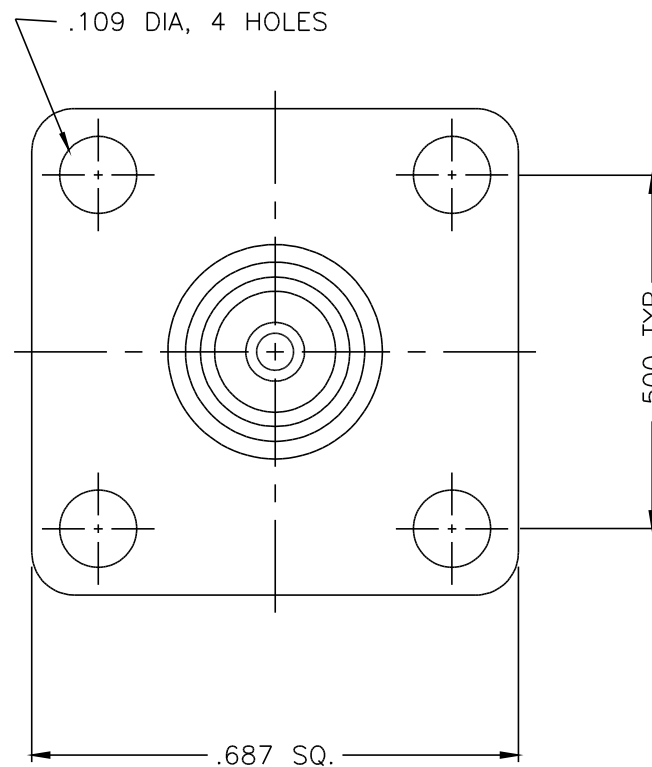
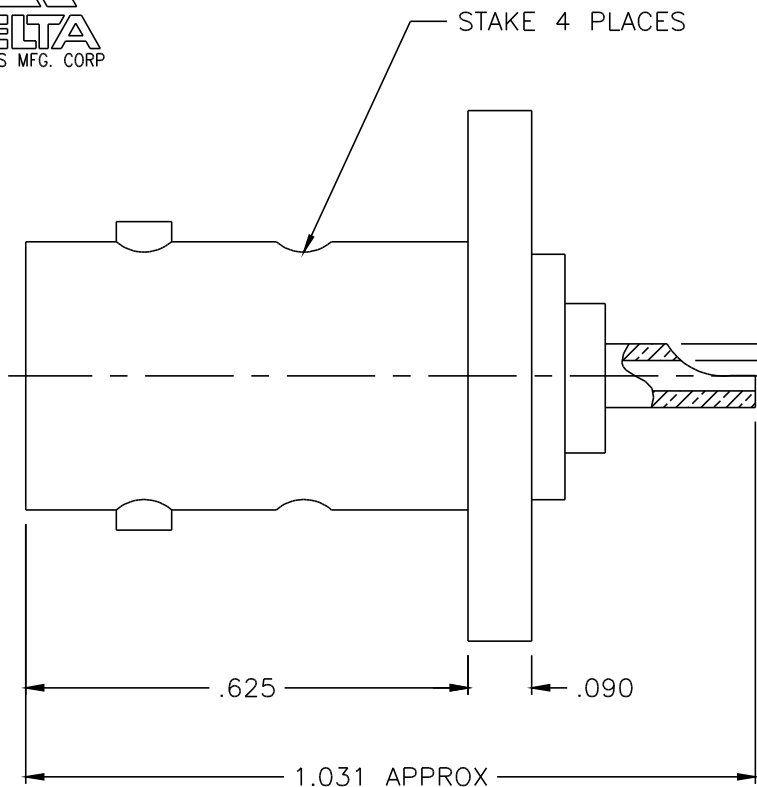




1013-000-N124



NOTES:

1. ASSEMBLED CONNECTOR INTERFACE IS DESIGNED IN ACCORDANCE WITH MIL-STD-348.
2. MATERIAL: BODY - BRASS PER ASTM B16  
CONTACT - BERYLLIUM COPPER PER ASTM B196.  
INSULATOR - TEFLON PER ASTM D1710
3. FINISHES: BODY - NICKEL PLATE PER QQ-N-270  
CONTACT - SILVER PLATE PER QQ-S-365

UG-447/U

DELTA ELECTRONICS MFG. CORP. Beverly, MA 01915					
TITLE: 'BNC' (M) PANEL RECEPTACLE					
Drawn by MJA 9/10/97	Scale 4/1	Ckd. by	Engr Appd	FILE NAME: 1013000N124-000T	
CODE IDENT.-00795		1013-000-N124			

A	REVISED	9/10/97
-	OUTLINE	8/25/94
ALT.	REVISIONS	DATE

UNLESS OTHERWISE SPECIFIED: TOLERANCES: 3 PLACES = ±.005, 2 PLACES = ±.02, ANGLES = ±1/2°

THESE DRAWINGS AND SPECIFICATIONS ARE THE PROPERTY OF DELTA ELECTRONICS MFG CORP. AND SHALL NOT BE REPRODUCED, OR COPIED OR USED AS THE BASIS FOR THE MANUFACTURE OR SALE OF APPARATUS OR DEVICES WITHOUT THEIR EXPRESS WRITTEN CONSENT.