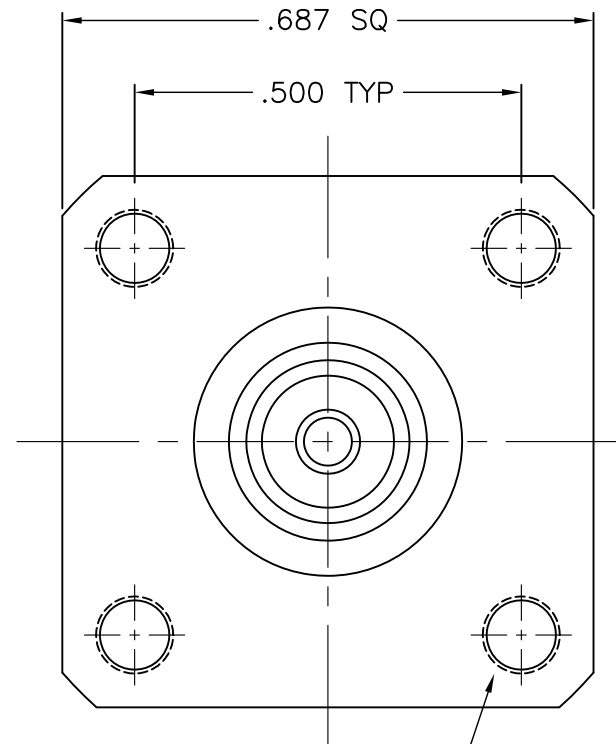
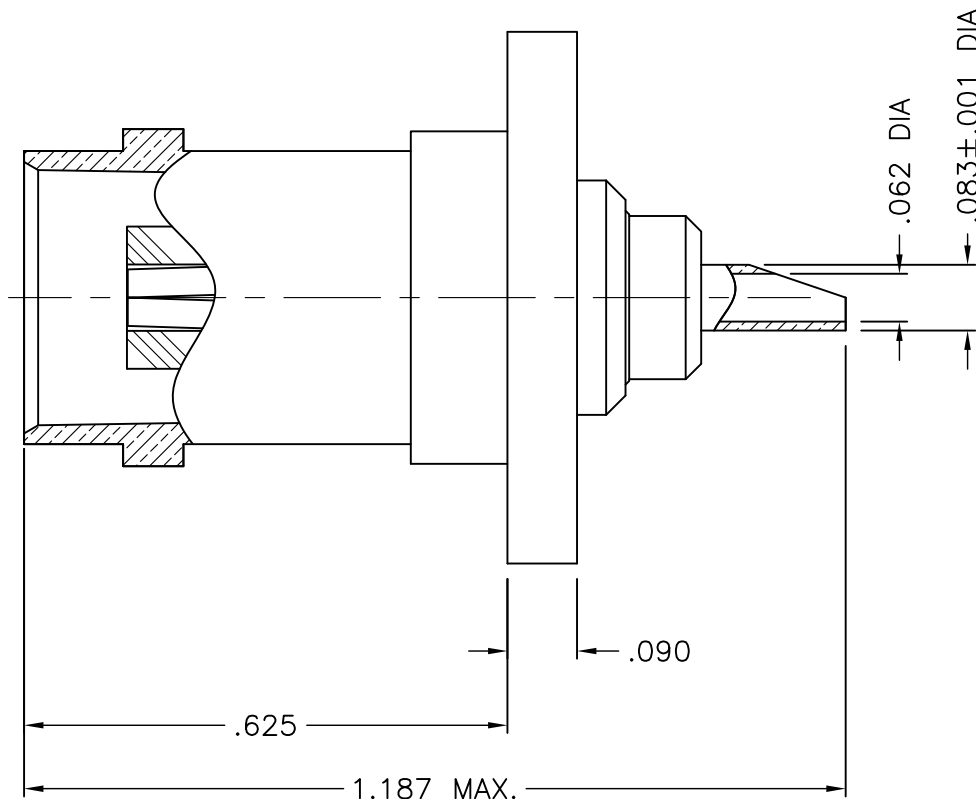




1013-000-A07E



NOTES:

1. ASSEMBLED CONNECTOR INTERFACE IS DESIGNED IN ACCORDANCE WITH MIL-STD-348.
2. MATERIAL: INSULATOR - TEFLON PER ASTM D4894
CONTACT - BERYLLIUM COPPER PER ASTM B196
ALL OTHER METAL PARTS - BRASS PER ASTM B16
3. FINISHES: BODY - SILVER PLATE PER ASTM B700
CONTACT - GOLD PLATE PER ASTM B488

M39012/22-0001

UNLESS OTHERWISE SPECIFIED: TOLERANCES: 3 PLACES = ±.005, 2 PLACES = ±.02, ANGLES = ±1/2°

-	OUTLINE	11/26/08
ALT.	REVISIONS	DATE

DELTA ELECTRONICS MFG. CORP. Beverly, MA 01915				
TITLE: BNC PANEL JACK RECEPTACLE - SOLDER POT CONTACT				
Drawn by MR 11/26/08	Scale 4/1	Ckd. by BJM	Engr Appd MR	FILE NAME: 1013000A07E-000T

THESE DRAWINGS AND SPECIFICATIONS ARE THE PROPERTY OF DELTA ELECTRONICS MFG CORP. AND SHALL NOT BE REPRODUCED, OR COPIED OR USED AS THE BASIS FOR THE MANUFACTURE OR SALE OF APPARATUS OR DEVICES WITHOUT THEIR EXPRESS WRITTEN CONSENT.

CODE IDENT.-00795

1013-000-A07E