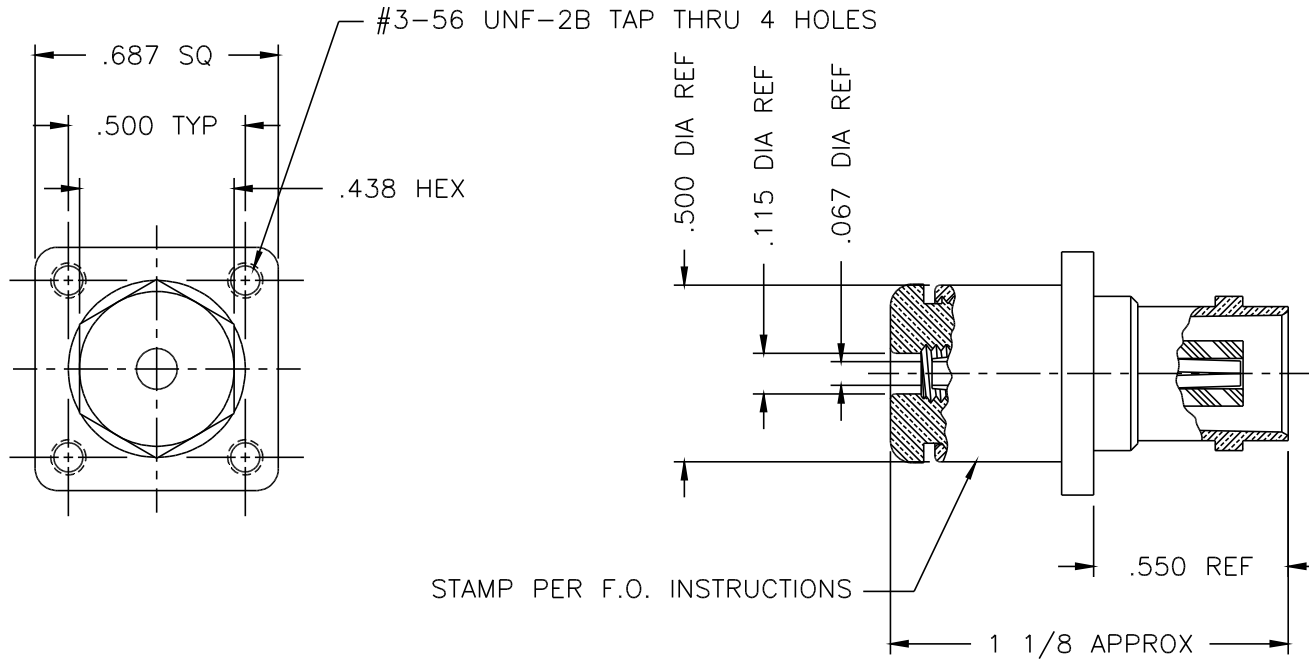


1011-037-N075



NOTES:

1. ASSEMBLED CONNECTOR INTERFACE IS DESIGNED IN ACCORDANCE WITH MIL-STD-348.
2. MATERIAL: BODY - BRASS PER ASTM B16
CONTACT - BERYLLIUM COPPER PER ASTM B196.
INSULATOR - TEFLON PER ASTM D1710
3. FINISHES: CONTACT - SILVER PLATE PER QQ-S-365
ALL OTHER METAL PARTS - NICKEL PLATE PER QQ-N-290

UNLESS OTHERWISE SPECIFIED: TOLERANCES: 3 PLACES = ±.005, 2 PLACES = ±.02, ANGLES = ±1/2°

A	REVISED	DATE
-	OUTLINE	4/21/95
ALT.	REVISIONS	DATE

DELTA ELECTRONICS MFG. CORP. Beverly, MA 01915				
TITLE: 'BNC' HELI GRIP (F) PANEL MOUNT CABLE JACK FOR RG-174, 188/U CABLE				
Drawn by MJA 9/2/97	Scale 2/1	Ckd. by	Engr Appd	FILE NAME: 1011037N075-000T

THESE DRAWINGS AND SPECIFICATIONS ARE THE PROPERTY OF DELTA ELECTRONICS MFG CORP. AND SHALL NOT BE REPRODUCED, OR COPIED OR USED AS THE BASIS FOR THE MANUFACTURE OR SALE OF APPARATUS OR DEVICES WITHOUT THEIR EXPRESS WRITTEN CONSENT.

CODE IDENT.-00795

1011-037-N075