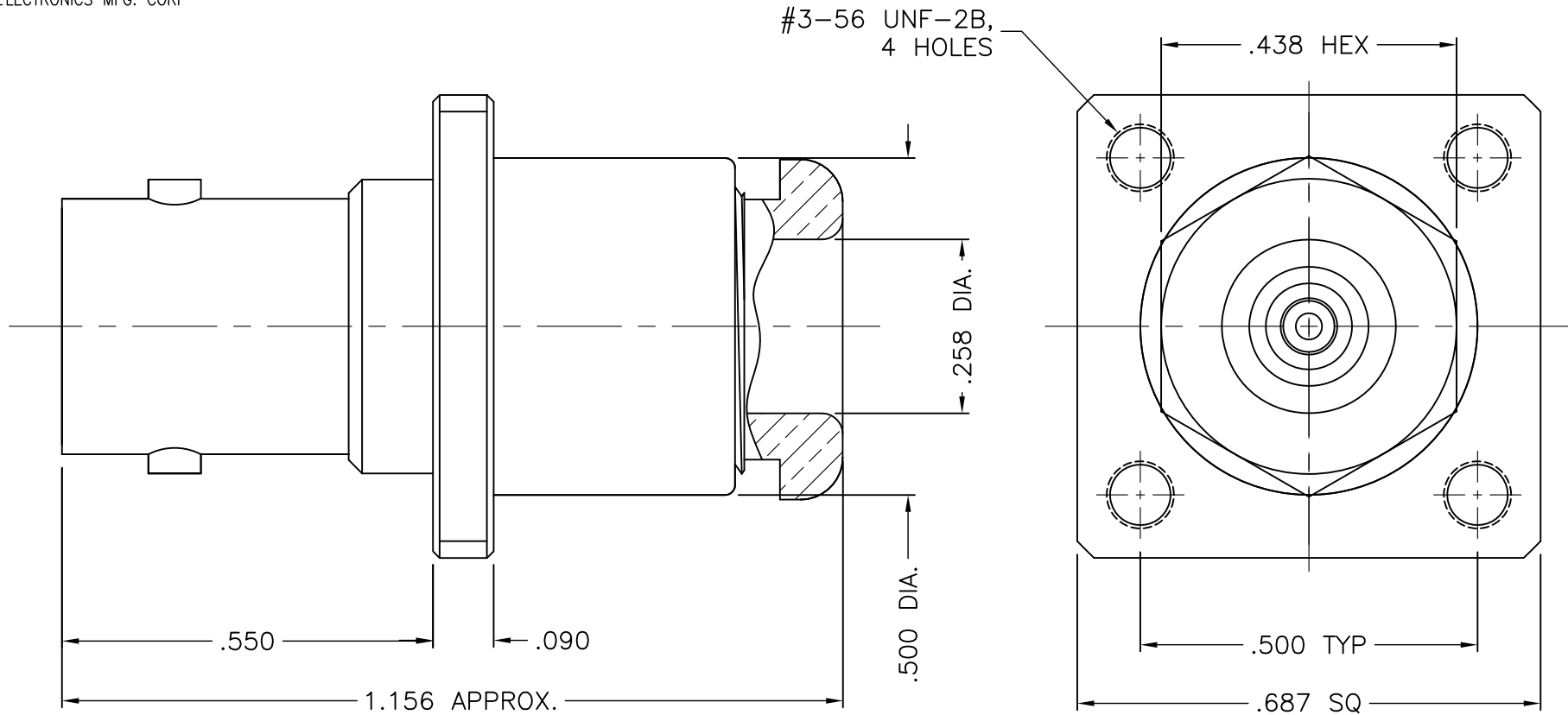




1011-021-A07E



NOTES:

1. ASSEMBLED CONNECTOR INTERFACE IS DESIGNED IN ACCORDANCE WITH MIL-STD-348.
2. MATERIAL: INSULATORS - TEFLON PER ASTM D4894
GASKET - SILICONE RUBBER PER A-A-59588
CONTACT - BERYLLIUM COPPER PER ASTM B196
ALL OTHER METAL PARTS - BRASS PER ASTM B16
3. FINISHES: CONTACT - GOLD PLATE PER ASTM B488
ALL OTHER METAL PARTS - SILVER PLATE PER ASTM B700

M39012/18-0101

DELTA ELECTRONICS MFG. CORP. Beverly, MA 01915

TITLE: 'BNC' PANEL CLAMP JACK FOR
RG-59B, 62A, 71A, 140 & 210/U CABLE

Drawn by MR 11/19/08	Scale 2/1	Ckd. by BJM	Engr Appd MR	FILE NAME: 1011021A07E-000T
----------------------------	--------------	----------------	-----------------	--------------------------------

UNLESS OTHERWISE SPECIFIED: TOLERANCES: 3 PLACES = ±.005, 2 PLACES = ±.02, ANGLES = ±1/2', SURFACE FINISH = 63

-	OUTLINE	11/19/08
ALT.	REVISIONS	DATE

THESE DRAWINGS AND SPECIFICATIONS ARE THE PROPERTY OF DELTA ELECTRONICS MFG CORP. AND SHALL NOT BE REPRODUCED, OR COPIED OR USED AS THE BASIS FOR THE MANUFACTURE OR SALE OF APPARATUS OR DEVICES WITHOUT THEIR EXPRESS WRITTEN CONSENT.

CODE IDENT.-00795

1011-021-A07E