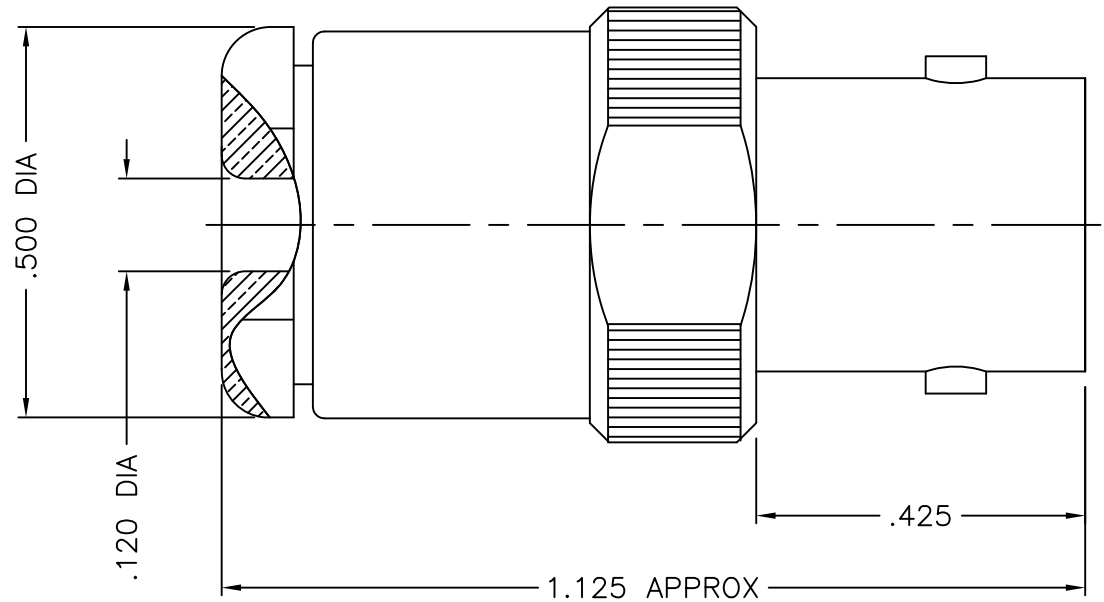
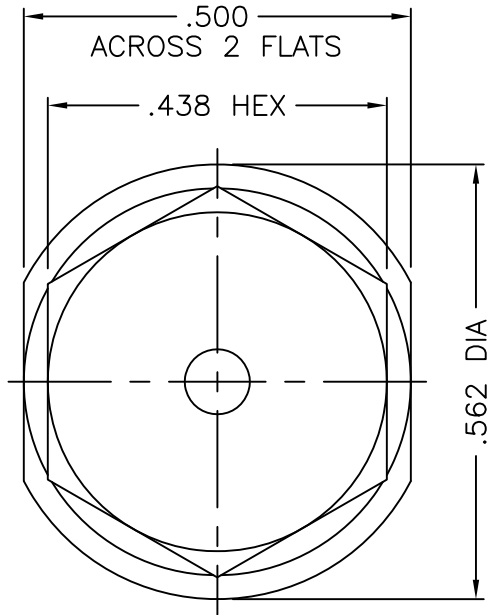




1008036N001-000



NOTES:

1. ASSEMBLED CONNECTOR INTERFACE IS DESIGNED IN ACCORDANCE WITH MIL-STD-348.
2. MATERIAL: BODY - BRASS PER ASTM B16
 CONTACT - BERYLLIUM COPPER PER ASTM B196.
 INSULATOR - TEFLON PER ASTM D1710
 GASKET - SILICONE RUBBER PER ZZ-R-765
 ALL OTHER METAL PARTS - BRASS PER ASTM B16
3. FINISHES: CONTACT - SILVER PLATE PER QQ-S-365
 ALL OTHER METAL PARTS - NICKEL PLATE PER QQ-N-290

UNLESS OTHERWISE SPECIFIED: TOLERANCES: 3 PLACES = ±.005, 2 PLACES = ±.02, ANGLES = ±1/2°

ALT.	REVISIONS	DATE
-	OUTLINE	2/24/00

DELTA ELECTRONICS MFG. CORP. Beverly, MA 01915				
TITLE: 'BNC' JACK FOR RG-174 & 188/U CABLES CAPTIVE CONTACT				
Drawn by BJM 2/24/00	Scale 4/1	Ckd. by	Engr Appd	FILE NAME: 1008036N001-000T

THESE DRAWINGS AND SPECIFICATIONS ARE THE PROPERTY OF DELTA ELECTRONICS MFG CORP. AND SHALL NOT BE REPRODUCED, OR COPIED OR USED AS THE BASIS FOR THE MANUFACTURE OR SALE OF APPARATUS OR DEVICES WITHOUT THEIR EXPRESS WRITTEN CONSENT.

CODE IDENT.-00795

1008036N001-000