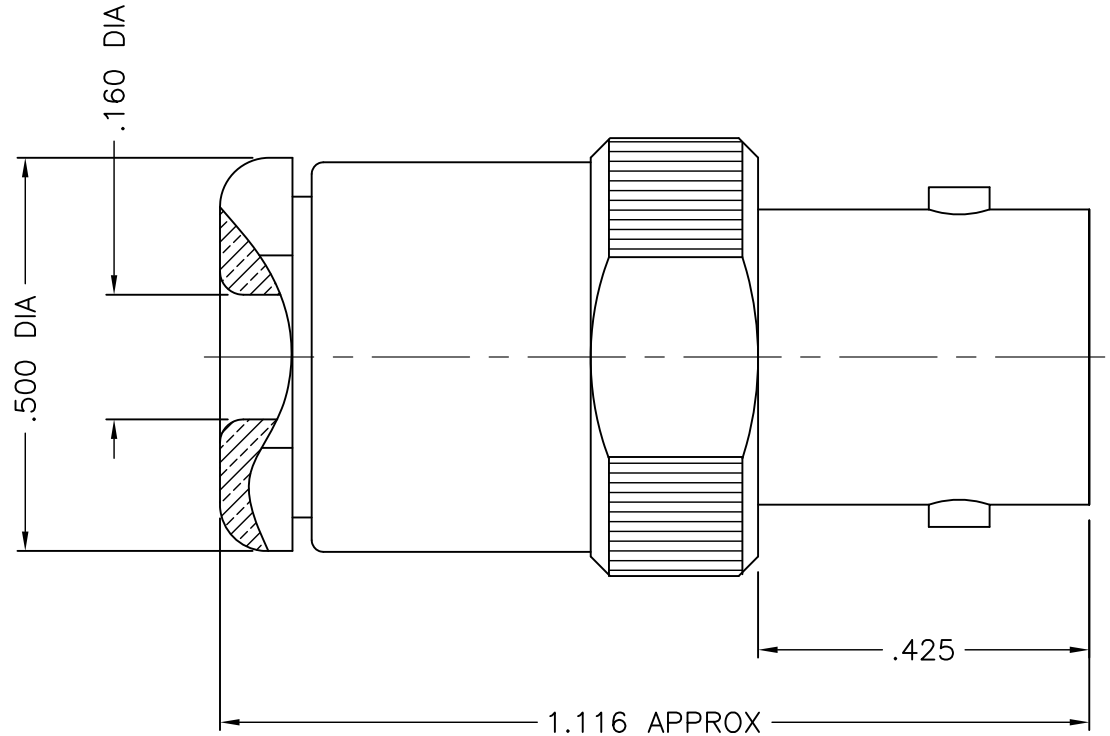
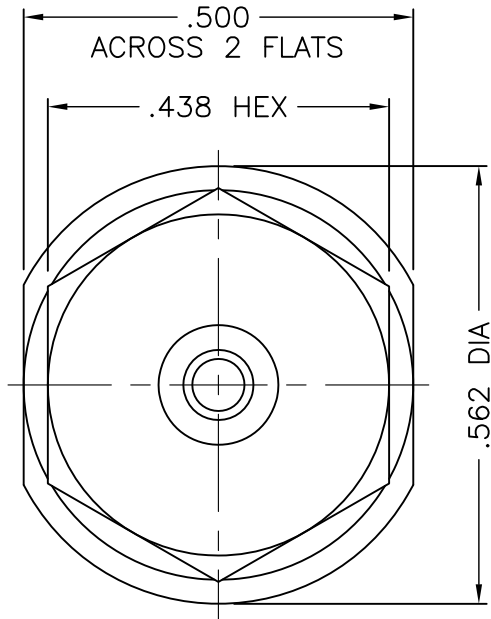




1008-025-N003



NOTES:

1. ASSEMBLED CONNECTOR INTERFACE IS DESIGNED IN ACCORDANCE WITH MIL-STD-348.
2. MATERIAL: BODY - BRASS PER ASTM B16
 CONTACT - BERYLLIUM COPPER PER ASTM B196.
 INSULATOR - TEFLON PER ASTM D1710
 GASKET - SILICONE RUBBER PER ZZ-R-765
 ALL OTHER METAL PARTS - BRASS PER ASTM B16
3. FINISHES: SOLDER CLAMP - GOLD PLATE PER MIL-G-45204
 CONTACT - SILVER PLATE PER QQ-S-365
 ALL OTHER METAL PARTS - NICKEL PLATE PER QQ-N-290

UNLESS OTHERWISE SPECIFIED: TOLERANCES: 3 PLACES = ±.005, 2 PLACES = ±.02, ANGLES = ±1/2'

-	OUTLINE	1/19/09
ALT.	REVISIONS	DATE

DELTA ELECTRONICS MFG. CORP. Beverly, MA 01915

TITLE: 'BNC' JACK FOR .085 S.R. CABLE

Drawn by BJM 1/19/09	Scale 4/1	Ckd. by MR	Engr Appd MR	FILE NAME: 1008025N003-000T
----------------------------	--------------	---------------	-----------------	--------------------------------

CODE IDENT. -00795 1008-025-N003