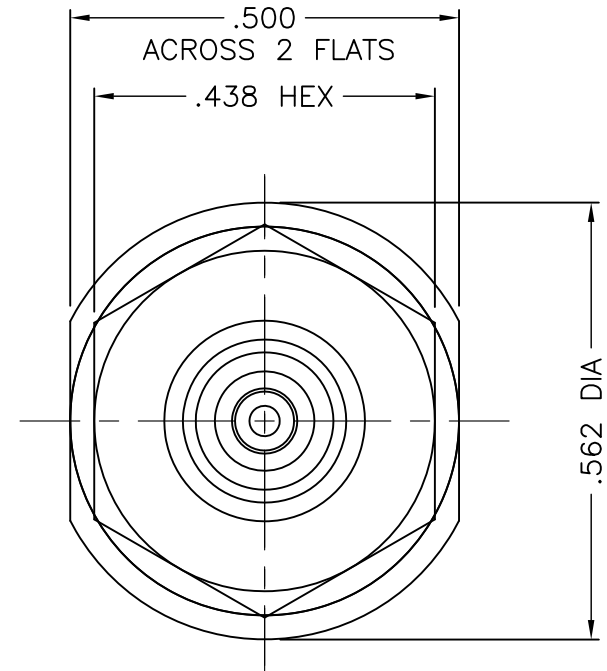
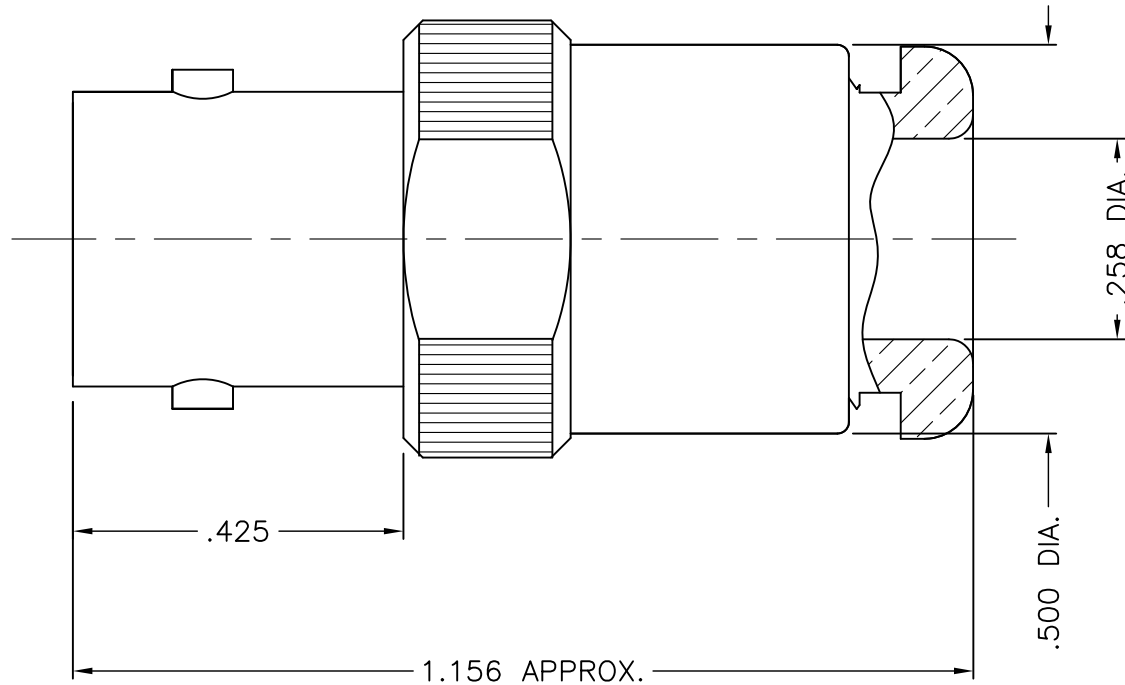




1008-021-A00E



**NOTES:**

1. ASSEMBLED CONNECTOR INTERFACE IS DESIGNED IN ACCORDANCE WITH MIL-STD-348.
2. MATERIAL: INSULATORS - TEFLON PER ASTM D4894  
 GASKET - SILICONE RUBBER PER A-A-59588  
 CONTACT - BERYLLIUM COPPER PER ASTM B196  
 ALL OTHER METAL PARTS - BRASS PER ASTM B16
3. FINISHES: CONTACT - GOLD PLATE PER ASTM B488  
 ALL OTHER METAL PARTS - SILVER PLATE PER ASTM B700

M39012/17-0102

DELTA ELECTRONICS MFG. CORP. Beverly, MA 01915

TITLE: 'BNC' CLAMP JACK FOR  
 RG-59B, 62A, 71A, 140, 210/U CABLE

UNLESS OTHERWISE SPECIFIED: TOLERANCES: 3 PLACES = ±.005, 2 PLACES = ±.02, ANGLES = ±1/2°, SURFACE FINISH = 63

-	OUTLINE	11/19/08
ALT.	REVISIONS	DATE

Drawn by MR	Scale 2/1	Ckd. by BJM	Engr Appd MR	FILE NAME: 1008021A00E-000T
----------------	--------------	----------------	-----------------	--------------------------------

THESE DRAWINGS AND SPECIFICATIONS ARE THE PROPERTY OF DELTA ELECTRONICS MFG CORP. AND SHALL NOT BE REPRODUCED, OR COPIED OR USED AS THE BASIS FOR THE MANUFACTURE OR SALE OF APPARATUS OR DEVICES WITHOUT THEIR EXPRESS WRITTEN CONSENT.

CODE IDENT.-00795

1008-021-A00E