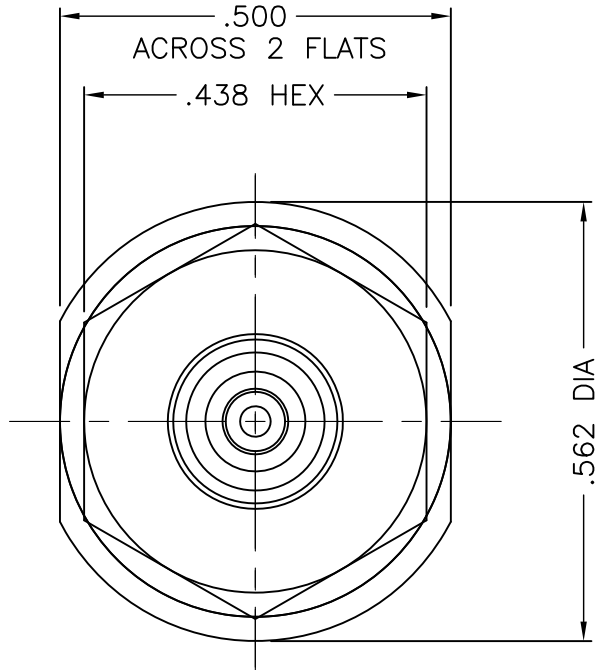
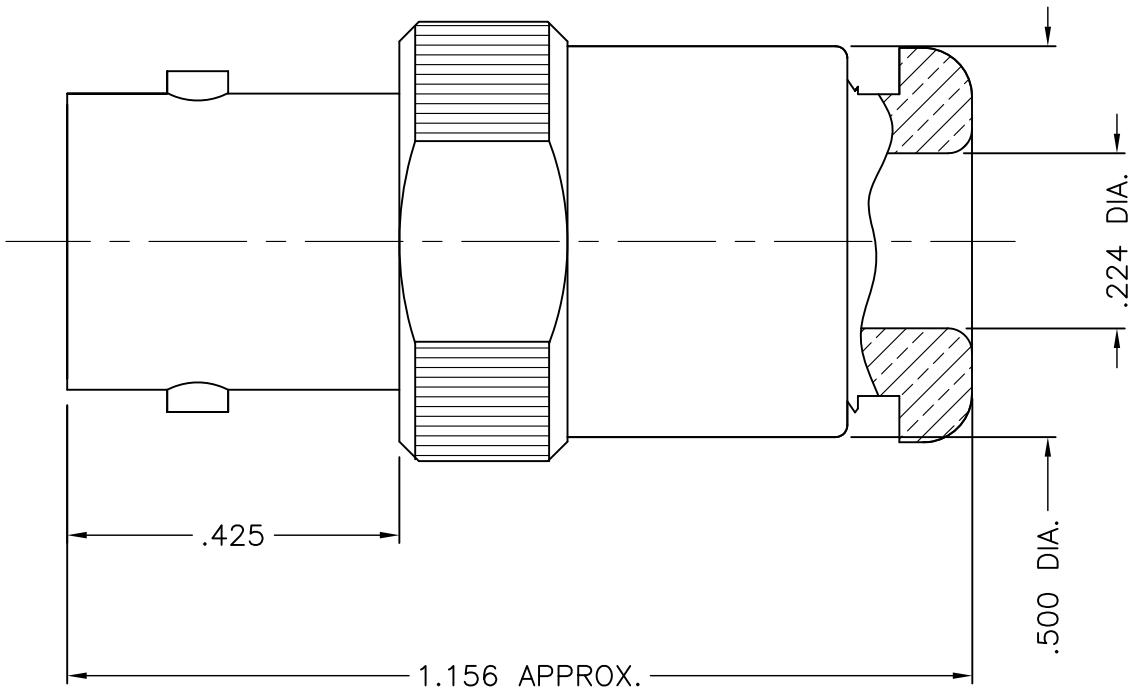




1008-015-A00E



NOTES:

1. ASSEMBLED CONNECTOR INTERFACE IS DESIGNED IN ACCORDANCE WITH MIL-STD-348.
2. MATERIAL: INSULATORS - TEFLON PER ASTM D4894
 GASKET - SILICONE RUBBER PER A-A-59588
 CONTACT - BERYLLIUM COPPER PER ASTM B196
 ALL OTHER METAL PARTS - BRASS PER ASTM B16
3. FINISHES: CONTACT - GOLD PLATE PER ASTM B488
 ALL OTHER METAL PARTS - SILVER PLATE PER ASTM B700

M39012/17-0101

DELTA ELECTRONICS MFG. CORP. Beverly, MA 01915				
TITLE: 'BNC' CLAMP JACK FOR RG-55B, 58C, 141A, 142B, 223/U CABLE				
Drawn by MR	Scale 2/1	Ckd. by BJM	Engr Appd MR	FILE NAME: 1008015A00E-000T
11/19/08				

-	OUTLINE	11/19/08
UNLESS OTHERWISE SPECIFIED: TOLERANCES: 3 PLACES = ±.005, 2 PLACES = ±.02, ANGLES = ±1/2', SURFACE FINISH = 63	ALT. REVISIONS	DATE

THESE DRAWINGS AND SPECIFICATIONS ARE THE PROPERTY OF DELTA ELECTRONICS MFG CORP. AND SHALL NOT BE REPRODUCED, OR COPIED OR USED AS THE BASIS FOR THE MANUFACTURE OR SALE OF APPARATUS OR DEVICES WITHOUT THEIR EXPRESS WRITTEN CONSENT.

CODE IDENT.-00795 1008-015-A00E