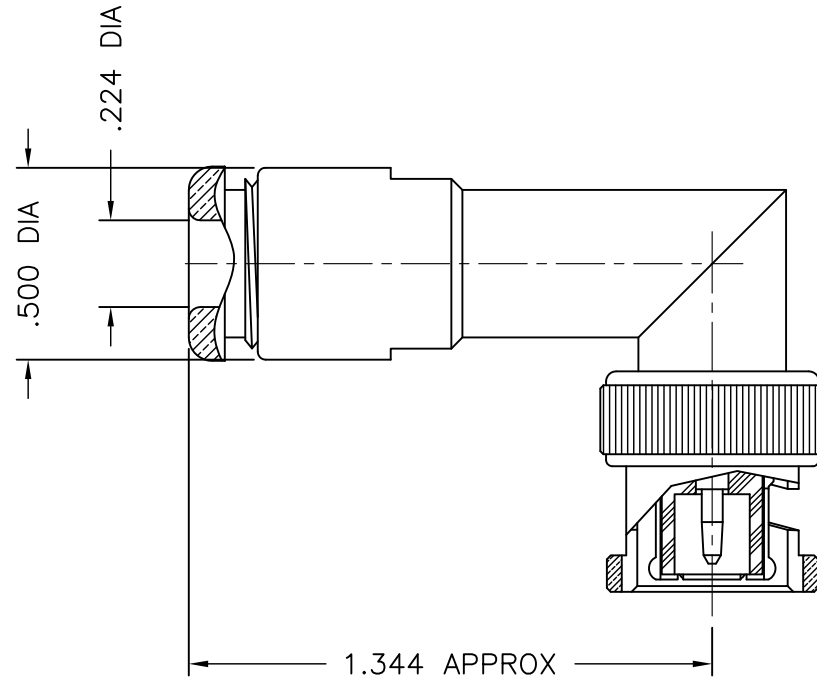
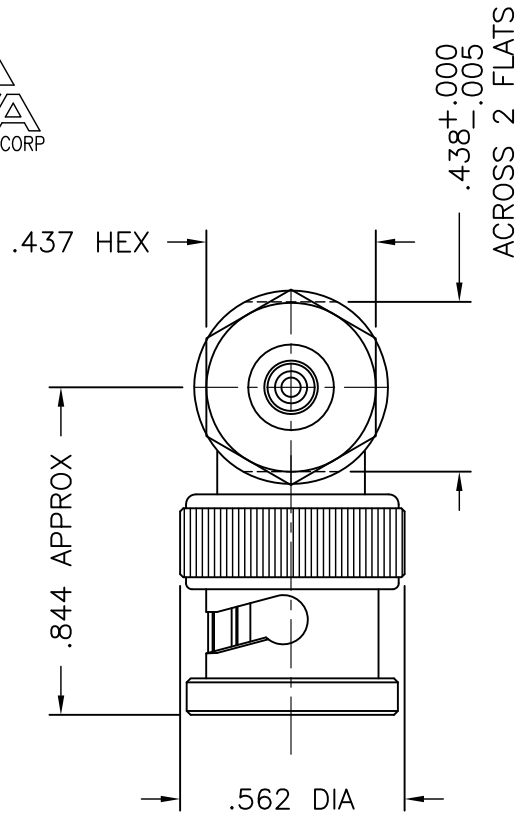




1004015N000-002



NOTES:

1. ASSEMBLED CONNECTOR INTERFACE IS DESIGNED IN ACCORDANCE WITH MIL-STD-348.
2. MATERIAL: CABLE CONTACT- BRASS PER ASTM B16
 90° CONTACT- BERYLLIUM COPPER PER ASTM B196.
 GASKETS- SILICONE RUBBER PER ZZ-R-765
 INSULATORS- TEFLON PER ASTM D1710
 ALL OTHER METAL PARTS- BRASS PER ASTM B16.
3. FINISHES: CONTACT - SILVER PLATE PER QQ-S-365.
 ALL OTHER METAL PARTS - NICKEL PLATE PER QQ-N-290

UG-913A/U

DELTA ELECTRONICS MFG. CORP. Beverly, MA 01915

TITLE: 'BNC' RT ANGLE CAPTIVE CONTACT PLUG FOR RG-58 U/CABLE

UNLESS OTHERWISE SPECIFIED: TOLERANCES: 3 PLACES = ±.005, 2 PLACES = ±.02, ANGLES = ±1/2°

A	REVISED	8/27/97
-	OUTLINE	1/1/96
ALT.	REVISIONS	DATE

Drawn by MJA 8/27/97	Scale 2/1	Ckd. by	Engr Appd	FILE NAME: 1004015N000-002T
----------------------------	--------------	---------	-----------	--------------------------------

THESE DRAWINGS AND SPECIFICATIONS ARE THE PROPERTY OF DELTA ELECTRONICS MFG CORP. AND SHALL NOT BE REPRODUCED, OR COPIED OR USED AS THE BASIS FOR THE MANUFACTURE OR SALE OF APPARATUS OR DEVICES WITHOUT THEIR EXPRESS WRITTEN CONSENT.

CODE IDENT.-00795

1004015N000-002