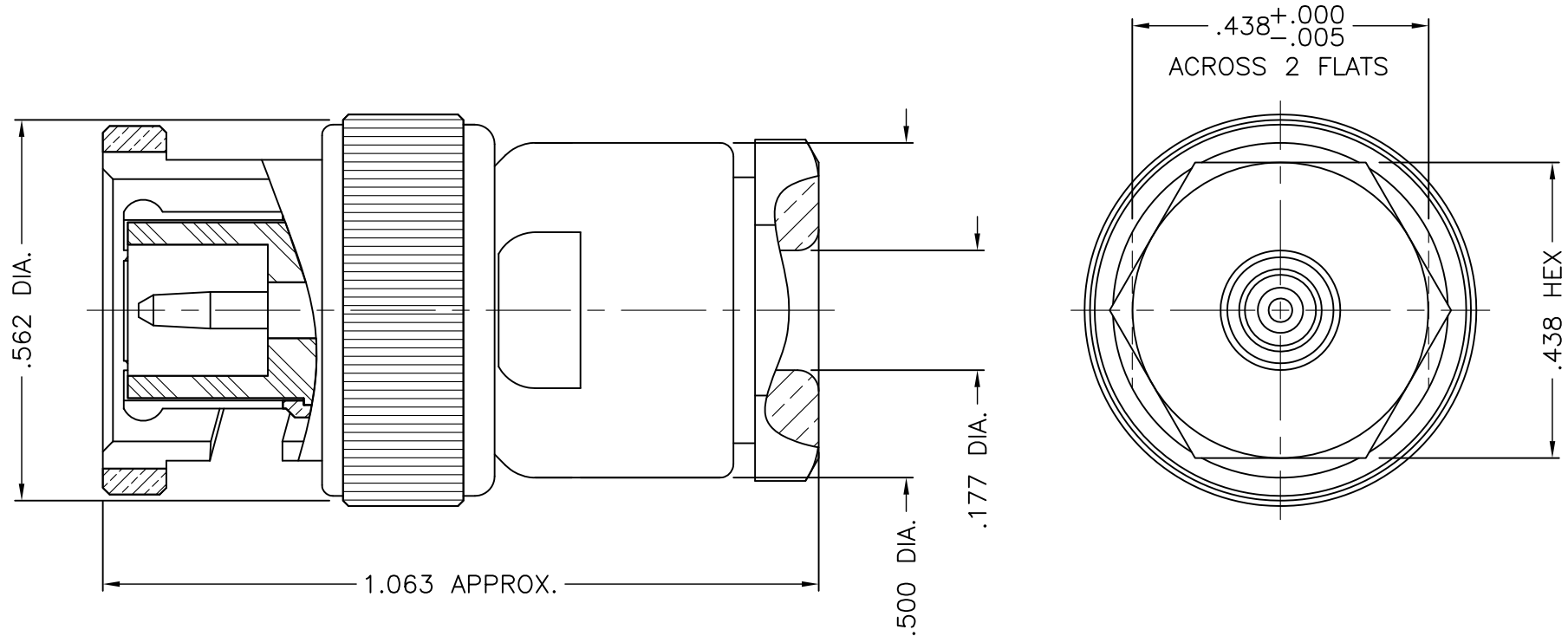




1001-051-A00E



NOTES:

1. ASSEMBLED CONNECTOR INTERFACE IS DESIGNED IN ACCORDANCE WITH MIL-STD-348.
2. MATERIAL: CONTACT - BRASS PER ASTM B16.
 INSULATOR - TEFLON PER ASTM D4894
 SPRING WASHERS - BERYLLIUM COPPER PER ASTM B196
 GASKET - SILICONE RUBBER PER A-A-59588
 ALL OTHER METAL PARTS - BRASS PER ASTM B16
3. FINISHES: CONTACT - GOLD PLATE PER ASTM B488
 ALL OTHER METAL PARTS - SILVER PLATE PER ASTM B700

M39012/16-0111

DELTA ELECTRONICS MFG. CORP. Beverly, MA 01915

TITLE: 'BNC' CLAMP PLUG FOR
 RG-303/U CABLE

| | | | |
|---|------|-----------|----------|
| UNLESS OTHERWISE SPECIFIED: TOLERANCES: 3 PLACES = ±.005, 2 PLACES = ±.02, ANGLES = ±1/2° | - | OUTLINE | 11/18/08 |
| | ALT. | REVISIONS | DATE |

| | | | | |
|----------------------------|--------------|----------------|-----------------|--------------------------------|
| Drawn by MR 11/18/08 | Scale 4/1 | Ckd. by BJM | Engr Appd MR | FILE NAME: 1001051A00E-000T |
|----------------------------|--------------|----------------|-----------------|--------------------------------|

THESE DRAWINGS AND SPECIFICATIONS ARE THE PROPERTY OF DELTA ELECTRONICS MFG CORP. AND SHALL NOT BE REPRODUCED, OR COPIED OR USED AS THE BASIS FOR THE MANUFACTURE OR SALE OF APPARATUS OR DEVICES WITHOUT THEIR EXPRESS WRITTEN CONSENT.

CODE IDENT.-00795

1001-051-A00E