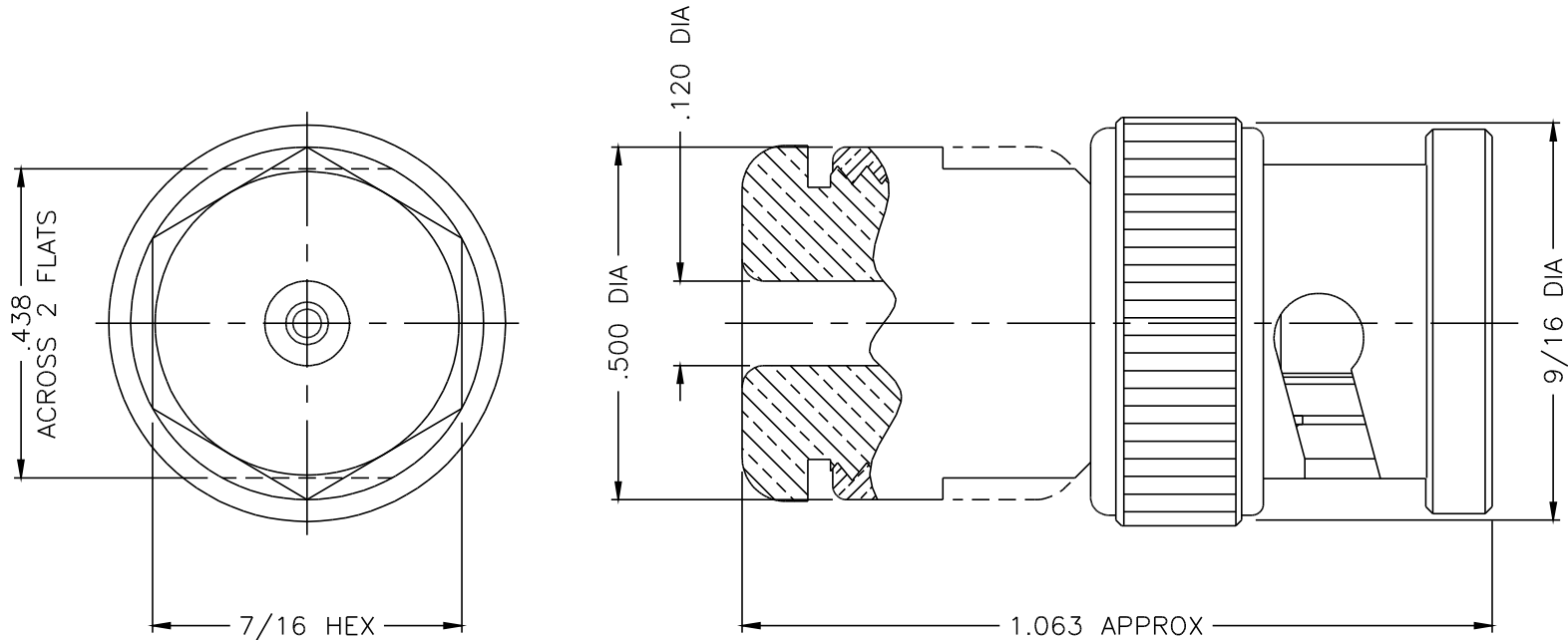


1001-036-N001



NOTES:

1. ASSEMBLED CONNECTOR INTERFACE IS DESIGNED IN ACCORDANCE WITH MIL-STD-348.
2. MATERIAL: CONTACT - BRASS PER ASTM B16.
 INSULATOR - TEFLON PER ASTM D1710
 GASKET - SILICONE RUBBER PER ZZ-R-765
 ALL OTHER METAL PARTS - BRASS PER ASTM B16
3. FINISHES: CONTACT - SILVER PLATE PER QQ-S-365
 ALL OTHER PLATED PARTS - NICKEL PLATE PER QQ-N-290

UNLESS OTHERWISE SPECIFIED: TOLERANCES: 3 PLACES = ±.005, 2 PLACES = ±.02, ANGLES = ±1/2°

A	REDRAWN RWP	10/6/97
-	OUTLINE	6/22/90
ALT.	REVISIONS	DATE

DELTA ELECTRONICS MFG. CORP. Beverly, MA 01915				
TITLE: 'BNC' (M) CLAMP PLUG W/CAPTIVE CONTACT RG-161, 174, 179B & 188A/U CABLES				
Drawn by RWP	Scale 4/1	Ckd. by	Engr Appd	FILE NAME: 1001036N001-000T
CODE IDENT.-00795		1001-036-N001		

THESE DRAWINGS AND SPECIFICATIONS ARE THE PROPERTY OF DELTA ELECTRONICS MFG CORP. AND SHALL NOT BE REPRODUCED, OR COPIED OR USED AS THE BASIS FOR THE MANUFACTURE OR SALE OF APPARATUS OR DEVICES WITHOUT THEIR EXPRESS WRITTEN CONSENT.