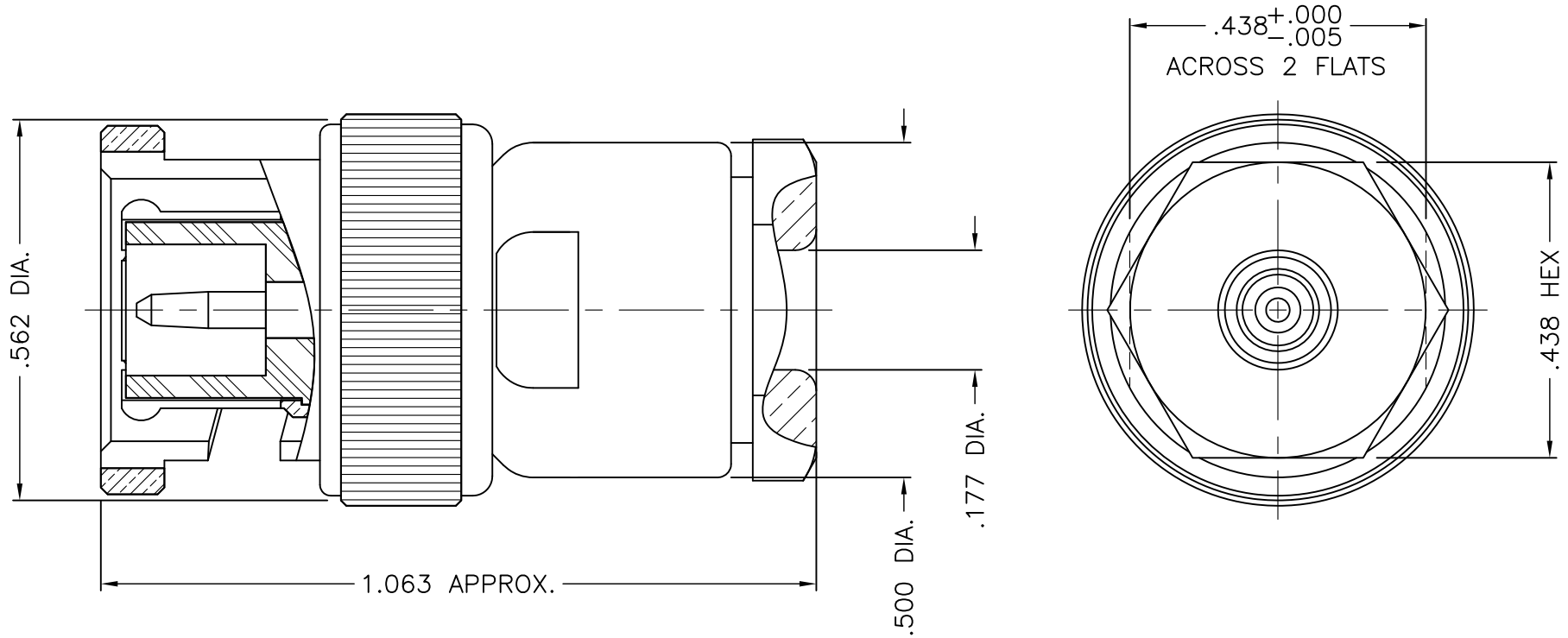


1001-029-A00E



NOTES:

1. ASSEMBLED CONNECTOR INTERFACE IS DESIGNED IN ACCORDANCE WITH MIL-STD-348.
2. MATERIAL: CONTACT - BRASS PER ASTM B16.
INSULATOR - TEFLON PER ASTM D4894
SPRING WASHERS - BERYLLIUM COPPER PER ASTM B196
GASKET - SILICONE RUBBER PER A-A-59588
ALL OTHER METAL PARTS - BRASS PER ASTM B16
3. FINISHES: CONTACT - GOLD PLATE PER ASTM B488
ALL OTHER METAL PARTS - SILVER PLATE PER ASTM B700

M39012/16-0103

DELTA ELECTRONICS MFG. CORP. Beverly, MA 01915

TITLE: 'BNC' CLAMP PLUG FOR RG-122/U CABLE

UNLESS OTHERWISE SPECIFIED: TOLERANCES: 3 PLACES = ±.005, 2 PLACES = ±.02, ANGLES = ±1/2°	-	OUTLINE	11/18/08
	ALT.	REVISIONS	DATE

Drawn by MR 11/18/08	Scale 4/1	Ckd. by BJM	Engr Appd MR	FILE NAME: 1001029A00E-000T
----------------------------	--------------	----------------	-----------------	--------------------------------

THESE DRAWINGS AND SPECIFICATIONS ARE THE PROPERTY OF DELTA ELECTRONICS MFG CORP. AND SHALL NOT BE REPRODUCED, OR COPIED OR USED AS THE BASIS FOR THE MANUFACTURE OR SALE OF APPARATUS OR DEVICES WITHOUT THEIR EXPRESS WRITTEN CONSENT.

CODE IDENT.-00795

1001-029-A00E