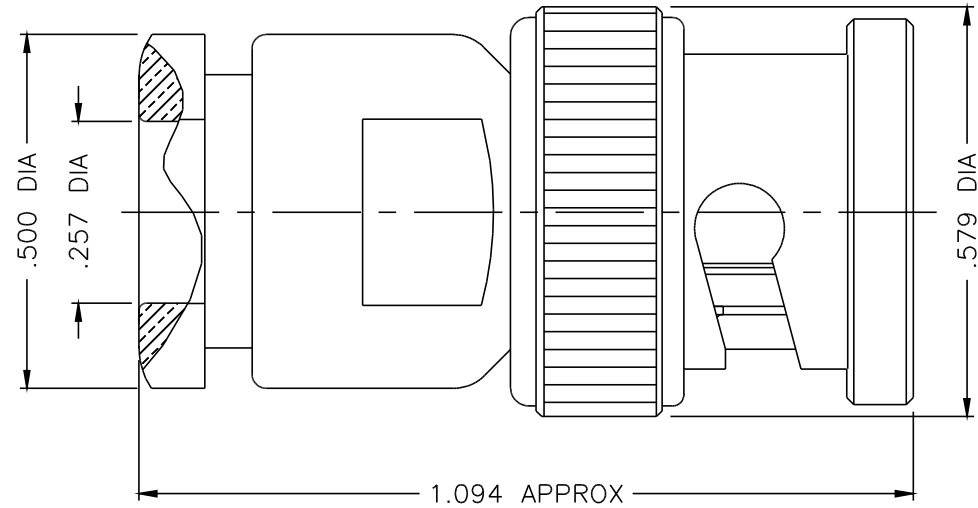
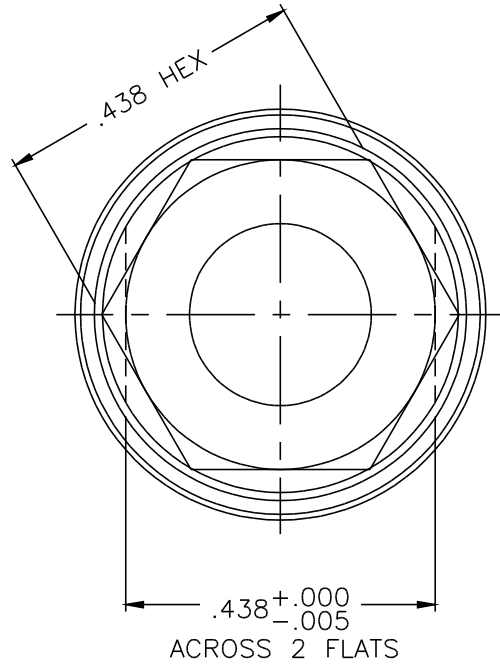




1001-021-N000-3



NOTES:

1. ASSEMBLED CONNECTOR INTERFACE IS DESIGNED IN ACCORDANCE WITH MIL-STD-348.
2. MATERIAL: BODY - BRASS PER ASTM B16
CONTACT - BRASS PER ASTM B16.
INSULATOR - TEFLON PER ASTM D1710
GASKET - SILICONE RUBBER PER ZZ-R-765
3. FINISHES: ALL PLATED PARTS - SILVER PLATE PER QQ-S-365

UNLESS OTHERWISE SPECIFIED: TOLERANCES: 3 PLACES = ±.005, 2 PLACES = ±.02, ANGLES = ±1/2°

| A | REDRAWN | DATE |
|------|-----------|----------|
| - | OUTLINE | 10/17/94 |
| ALT. | REVISIONS | DATE |

| | | | | | |
|--|--------------|---------|-----------|--------------------------------|-----------------|
| DELTA ELECTRONICS MFG. CORP. Beverly, MA 01915 | | | | | |
| TITLE: 'BNC' (M) CLAMP PLUG FOR 59B, 71B, 140 & 210/U CABLES | | | | | |
| Drawn by RWP | Scale 4/1 | Ckd. by | Engr Appd | FILE NAME: 1001021N000-003T | |
| 10/1/97 | | | | CODE IDENT.-00795 | 1001-021-N000-3 |

THESE DRAWINGS AND SPECIFICATIONS ARE THE PROPERTY OF DELTA ELECTRONICS MFG CORP. AND SHALL NOT BE REPRODUCED, OR COPIED OR USED AS THE BASIS FOR THE MANUFACTURE OR SALE OF APPARATUS OR DEVICES WITHOUT THEIR EXPRESS WRITTEN CONSENT.