

SMA Push-on "Connector Saver"

This SMA push-on plug to standard SMA jack adapter is ideal for testing components, reducing wear and tear on component-mounted jacks, and saving mating and unmating time.

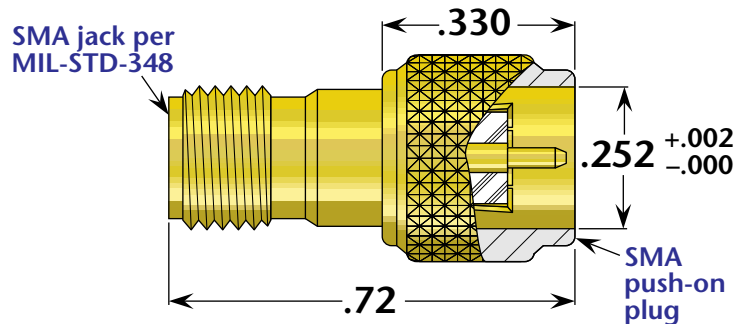
Some "push-on" SMA designs use outer spring fingers which can damage the points of the receptacles threads and cause plating to flake as they slide across the threads.

Our design employs inner spring fingers which slide inside the smooth inner wall of the jack.

The force to engage is 10 pounds maximum, and the force to disengage is 6 ounces minimum, ensuring a good grip when mated.

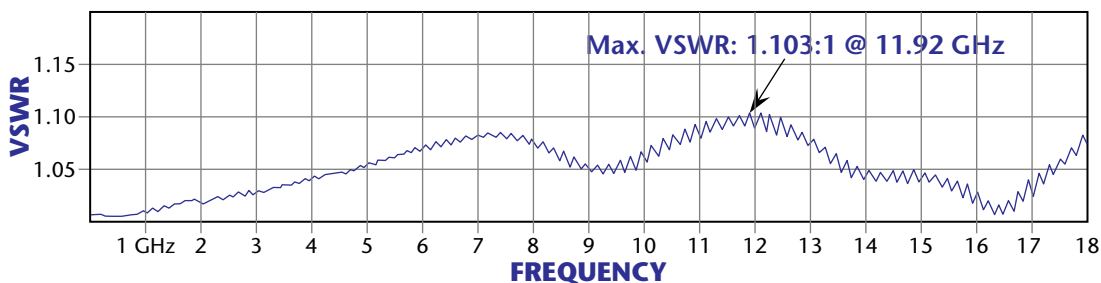
These adapters have brass bodies, Teflon insulators, and beryllium-copper contacts and spring fingers.

Delta Part Number **1334-000-G000-6**



All metal parts are gold plated per MIL-G-45204.

Max. VSWR: 1.15:1, DC-18 GHz



(978) 927-1060 • FAX (978) 922-6430 • www.DeltaRF.com • sales@deltarf.com
ISO 9001:2008 Certified