

SMK (2.92 mm) Connectors

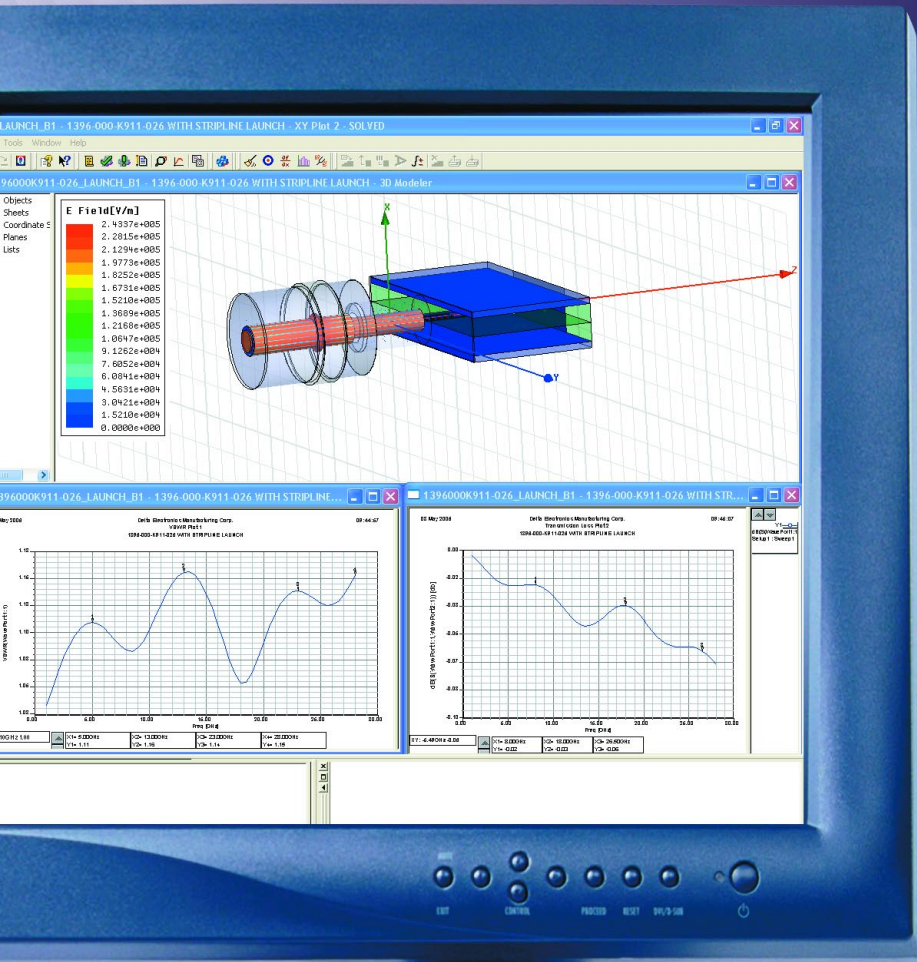
High Performance to 40 GHz

[Click here for Table of Contents](#)

[Click here for Specifications](#)



PDF Volume 1




DELTA
ELECTRONICS MFG. CORP.
→ *Connect Here.*
(978) 927-1060
www.DeltaRF.com

 **ISO 9001:2008**

 **ROHS**

 **SOMWBA**
Woman-Owned

CERTIFIED COMPLIANT CERTIFIED



General Description

These high-performance SMK (2.92 mm) connectors feature maximum VSWR for cable connectors of 1.15:1 from DC to 18 GHz, and 1.3:1 from 18 to 40 GHz. The maximum VSWR for receptacles and adapters is 1.15:1 from DC to 18 GHz, and 1.25:1 from 18 to 40 GHz.

Their interface is similar to that of SMA connectors, but utilizes an air dielectric and a Noryl support bead for higher cutoff frequency than SMA connectors. The internal design is optimized using state-of-the-art Electromagnetic Finite Element Analysis model simulation to provide low reflection coefficient, with mode free operation to 40 GHz.

The use of an air dielectric also allows for a smaller internal body diameter than SMA connectors. This "thick wall" design increases outer-conductor contact area at the interface for more reliable electrical performance and higher mechanical strength than SMA connectors.

SMK field replaceable receptacles are available in three mounting flange configurations. Both the field replaceable and thread-in (spark plug) connectors are available for use with hermetic seals or accessory pins with diameters of .009, .012, .015, and .020 inches. The standard hermetic seals and accessory pins on page 10 can be modified to a wide range of configurations to match your application requirements.

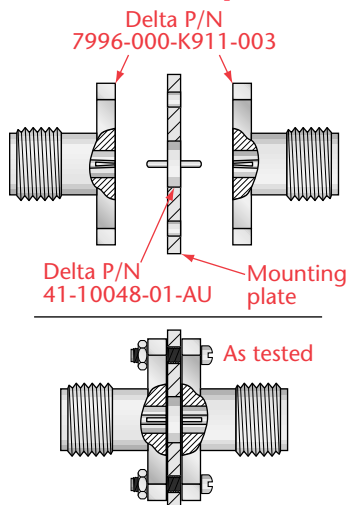
These connectors are machined to exacting tolerances and the highest quality standards on modern CNC turning centers, and assembly is tightly controlled and monitored to ensure peak consistency of performance from unit to unit.

Contents (Click on any line to go to the indicated page.)

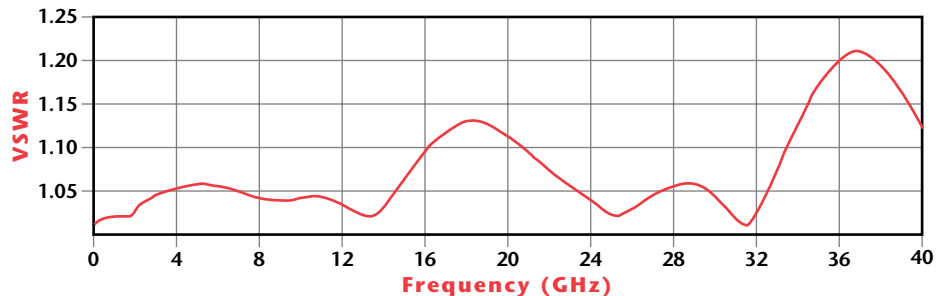
Interface Dimensions and Specifications.....3	Adapters Within Series.....9
Cable Plugs and Jacks.....4	Hermetic Seals.....10
Cable Jacks—Bulkhead and Panel Mounted.....5	Accessory pins.....10
Field Replaceable Panel Jack Receptacles— Square and Two-Hole Flange.....6	Drilling Dimensions for Hermetic Seals11
Field Replaceable Panel Plug Receptacles— Square and Two-Hole Flange.....7	Cable Assembly Instructions12
Thread-in ("Spark Plug") Receptacles— Field Replaceable.....8	Index by Part Number.....13
Panel Mount Receptacles— Slotted and Post Contact.....8	Competitive Cross-Reference13
	Special / Custom Connectors14
	About Delta.....15

Test Data

Test Setup



VSWR



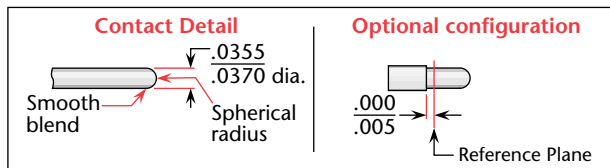
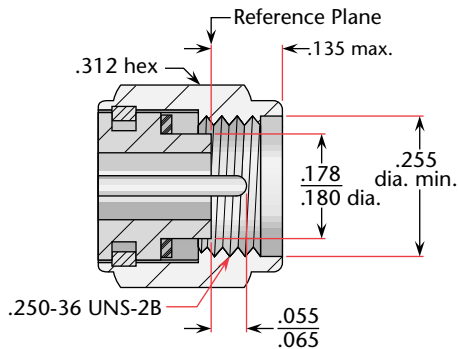
Two connectors tested, mounted back-to-back with a hermetic seal as shown at left. Maximum VSWR 1.22:1 @ 36.9 GHz (1.10:1 for each connector.)

These results are typical and valid only for connectors set up for testing in the configuration shown. Hermetic seal attachment method and other circuitry characteristics will affect VSWR of the completed component.

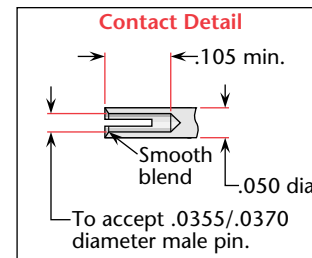
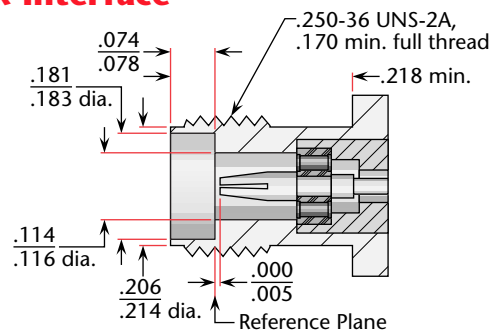


SMK Interfaces

Plug Interface**



Jack Interface**



** Per MIL-STD-348, figures 323-1 and 323-2. Some proportions altered to illustrate detail.

SMK Specifications*

Electrical:

Nominal Impedance: 50 ohms.

Frequency Range: DC–40 GHz.

Voltage Rating

(Cable connectors, receptacles):

335 Volts RMS @ sea level; 85 Volts RMS @ 70,000 feet.

(Adapters):

500 Volts RMS @ sea level; 125 Volts RMS @ 70,000 feet.

VSWR

(Cable connectors):

DC–18 GHz: 1.15:1 maximum; 18–40 GHz: 1.3:1 maximum.

(Receptacles, adapters):

DC–18 GHz: 1.15:1 maximum; 18–40 GHz: 1.25:1 maximum.

RF Transmission Loss: $.03 \times \sqrt{f}$ (GHz) dB.

Dielectric Withstanding Voltage

(Cable connectors, receptacles): 1,000 Volts RMS @ sea level.

(Adapters): 1,500 Volts RMS @ sea level.

RF Hipot: 670 Volts RMS @ 5 MHz.

Insulation Resistance: 5,000 megohms minimum.

RF Leakage: -100 dB minimum @ 2.5 GHz.

Contact Resistance: Center contact: 3.0 milliohms maximum;

Outer contact: 2.0 milliohms maximum.

All other specifications are in accordance with the latest issues of MIL-PRF-39012, or MIL-PRF-55339, or other applicable MIL specifications, and interfaces are in accordance with MIL-STD-348.

*These specifications are typical and may not apply to all connectors. Detailed specifications for individual connectors are available on request.

Mechanical:

Force to Engage: 2 inch-pounds maximum.

Coupling Nut Retention: 60 pounds minimum (plugs only).

Coupling Proof Torque: 15 inch-pounds minimum (plugs only).

Contact Insertion Force: Insertion: 2 pounds maximum;
Withdrawal: 1 ounce minimum.

Durability: 500 mating cycles minimum.

Mating Torque: 7–10 inch-pounds.

Materials/Finishes:

Insulators:

(Bead):

Noryl EN265, polyphenylene oxide (PPO) per ASTM D4349.

(Concentricity bead):

Kel-F (CTFE), extruded rod per AMS 3650.

Contacts: Beryllium copper (Alloy C17300) per ASTM B196.

Contact Plating: Gold per ASTM B488.

Other Metal Parts: Type 303 Stainless steel per ASTM A582, plated gold per MIL-G-45204 or passivated per AMS-QQ-P-35.

Gaskets: Silicone rubber per A-A-59588.

Environmental:

Operating Temperature: -55 to +135° C.

Vibration: Per MIL-STD-202, Method 204, condition D.

Shock: Per MIL-STD-202, Method 213, condition I.

Thermal Shock: Per MIL-STD-202, Method 107, condition A.

Corrosion (Salt Atmosphere):

Per MIL-STD-202, Method 101, test condition B.

Moisture Resistance: Per MIL-STD-202, Method 106.



Cable Plugs and Jacks—Direct Solder For Semi-Rigid Cable

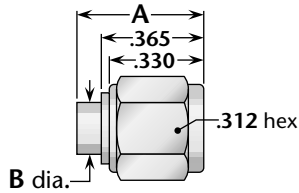


Figure 1

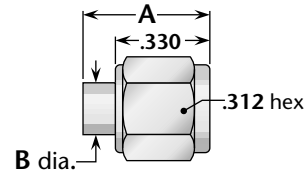


Figure 2
(One-Step cable attachment)

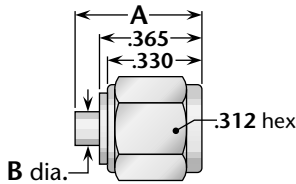


Figure 3

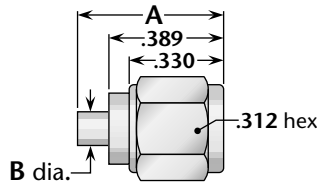


Figure 4
(One-Step cable attachment)

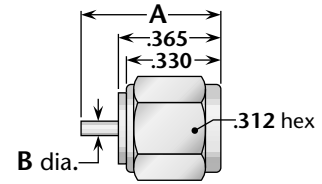


Figure 5

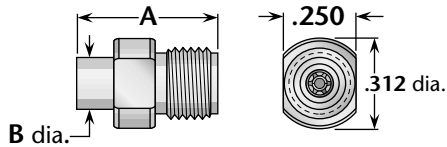


Figure 6
(One-Step cable attachment)

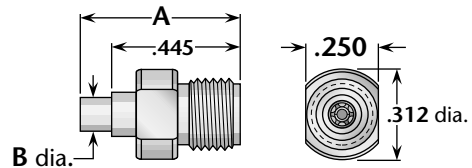


Figure 7
(One-Step cable attachment)

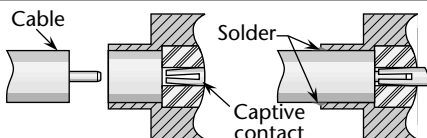
Straight Plugs

Cable Group	Figure	Dimensions		Plating		Delta P/N	Assembly Procedure/ Trim Code
		A	B	Body	Contact		
13	1	.435	.180	Passivated ⁽¹⁾	Gold	7901-031-K003	H/01
13	2	.440	.180	Passivated ⁽¹⁾	Gold (C)	7901-031-K007	I/01
14	3	.435	.120	Passivated ⁽¹⁾	Gold	7901-094-K003	H/01
14	4	.508	.120	Passivated ⁽¹⁾	Gold (C)	7901-094-K007-1	I/02
32	5	.490	.088	Passivated ⁽¹⁾	Gold	7901-111-K003	H/01

Straight Jacks

Cable Group	Figure	Dimensions		Plating		Delta P/N	Assembly Procedure/ Trim Code
		A	B	Body	Contact		
13	6	.490	.180	Passivated ⁽¹⁾	Gold (C)	7908-031-K007	I/01
14	7	.555	.120	Passivated ⁽¹⁾	Gold (C)	7908-094-K007	I/02

⁽¹⁾ Solder area of body is gold plated; other body parts passivated.



Delta One-Step Cable Attachment for Semi-Rigid Cable

Delta "One-Step" connectors feature captivated contacts and insulators to allow rapid, easy assembly to semi-rigid cable—simply trim the cable jacket and dielectric flush, chamfer the center conductor, insert into the connector, and solder the jacket to the connector body.

Cable Groups

13: .141" semi-rigid; RG-402; M17/130

14: .085" semi-rigid; RG-405; M17/133

32: .047" semi-rigid; M17/151

(C) in contact plating column indicates captive contact. • See page 12 for assembly instructions.



Cable Jacks—Direct Solder For Semi-Rigid Cable

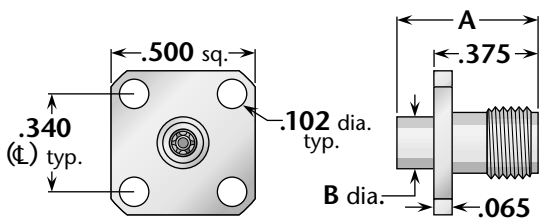


Figure 1 (One-Step cable attachment)

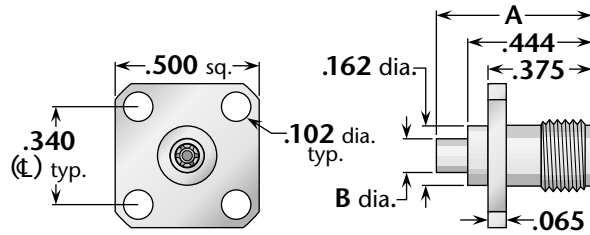


Figure 2 (One-Step cable attachment)

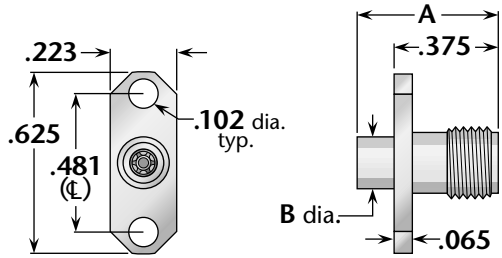


Figure 3 (One-Step cable attachment)

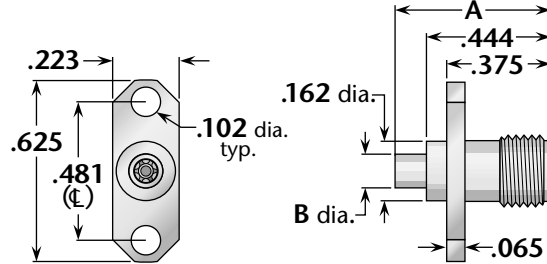


Figure 4 (One-Step cable attachment)

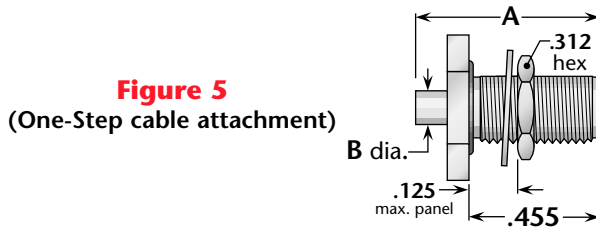
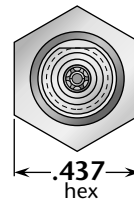
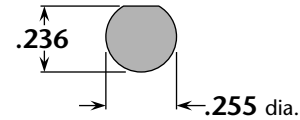


Figure 5
(One-Step cable attachment)



Mounting Hole Dimensions



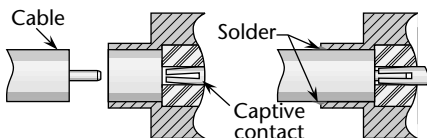
Panel Jacks

Cable Group	Figure	Dimensions		Plating		Delta P/N	Assembly Procedure/ Trim Code
		A	B	Body	Contact		
13	1	.490	.180	Passivated ⁽¹⁾	Gold (C)	7911-031-K057	I/01
14	2	.550	.120	Passivated ⁽¹⁾	Gold (C)	7911-094-K057	I/02
13	3	.490	.180	Passivated ⁽¹⁾	Gold (C)	7911-031-K927	I/01
14	4	.550	.120	Passivated ⁽¹⁾	Gold (C)	7911-094-K927	I/02

Bulkhead Jacks

Cable Group	Figure	Dimensions		Plating		Delta P/N	Assembly Procedure/ Trim Code
		A	B	Body	Contact		
13	5	.640	.180	Passivated ⁽¹⁾	Gold (C)	7917-031-K677	I/01
14	5	.640	.120	Passivated ⁽¹⁾	Gold (C)	7917-094-K677	I/02

⁽¹⁾ Solder area of body is gold plated; other body parts passivated.



Delta One-Step Cable Attachment for Semi-Rigid Cable

Delta "One-Step" connectors feature captivated contacts and insulators to allow rapid, easy assembly to semi-rigid cable—simply trim the cable jacket and dielectric flush, chamfer the center conductor, insert into the connector, and solder the jacket to the connector body.

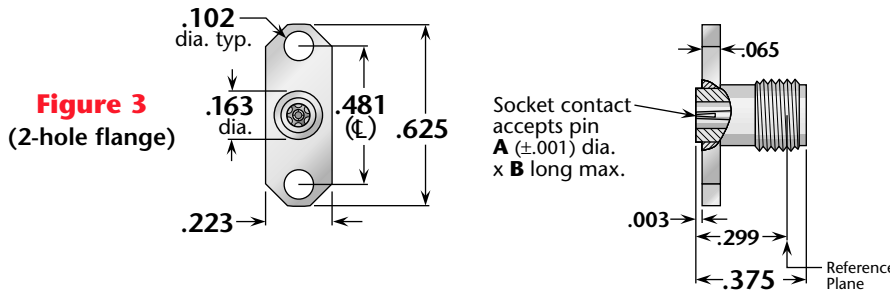
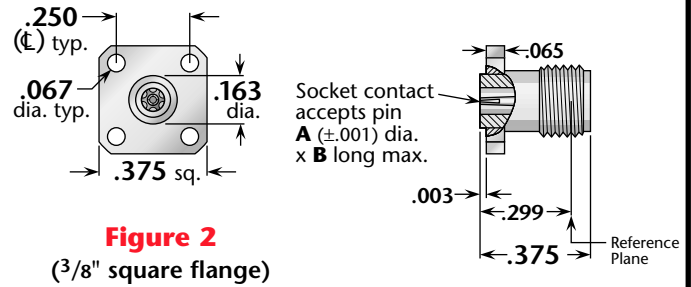
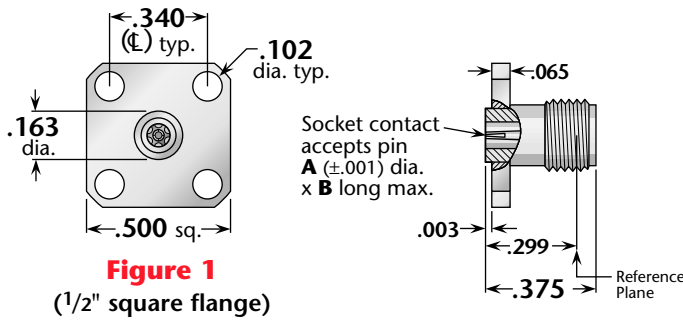
Cable Groups

13: .141" semi-rigid; RG-402; M17/130

14: .085" semi-rigid; RG-405; M17/133

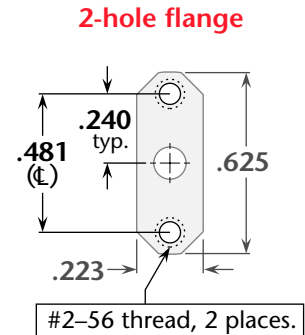
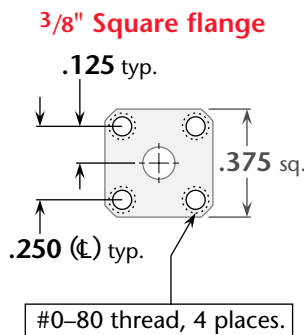
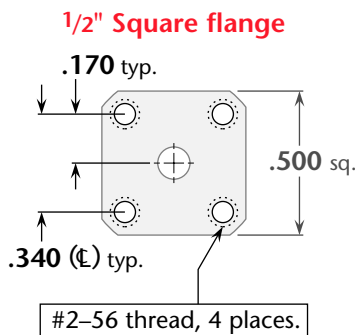
(C) in contact plating column indicates captive contact. • See page 12 for assembly instructions.

Panel Jack Receptacles—Field Replaceable, Square and 2-Hole Flange



Flange Figure	Dimensions		Plating		Delta P/N
	A (Pin Diameter)	B (Pin Length)	Body	Contact	
1	.009	.065	Passivated	Gold (C)	7996-000-K051-1
	.012	.085	Passivated	Gold (C)	7996-000-K051-2
	.015	.085	Passivated	Gold (C)	7996-000-K051-4
	.020	.090	Passivated	Gold (C)	7996-000-K051-3
2	.009	.065	Passivated	Gold (C)	7996-000-K911-1
	.012	.085	Passivated	Gold (C)	7996-000-K911-2
	.015	.085	Passivated	Gold (C)	7996-000-K911-10
	.020	.090	Passivated	Gold (C)	7996-000-K911-3
3	.009	.065	Passivated	Gold (C)	7996-000-K921-1
	.012	.085	Passivated	Gold (C)	7996-000-K921-2
	.015	.085	Passivated	Gold (C)	7996-000-K921-4
	.020	.090	Passivated	Gold (C)	7996-000-K921-3

Drilling Patterns—Panel-Mount Field Replaceable Jacks

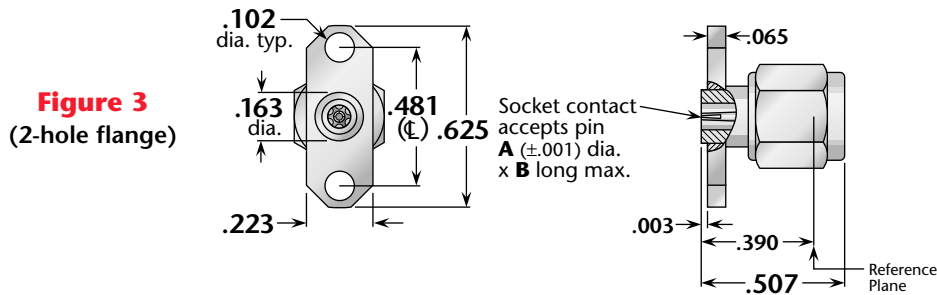
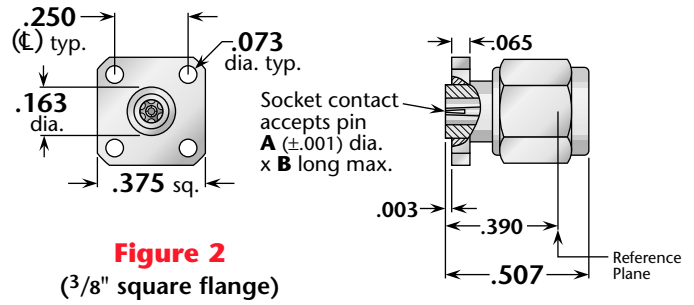
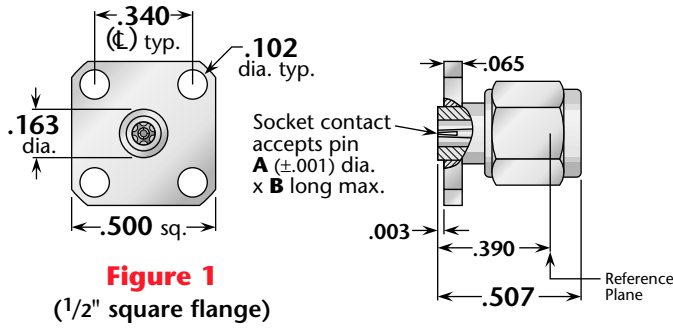


Fillister-head screws are recommended for connector body clearance when mounting.
See page 11 for center hole drilling dimensions.

See page 10 for hermetic seals and accessory pins. • (C) indicates captive contact.

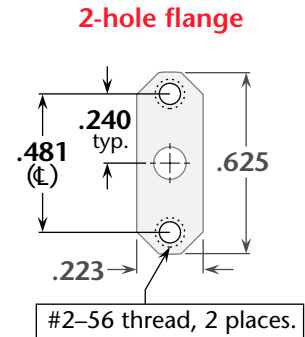
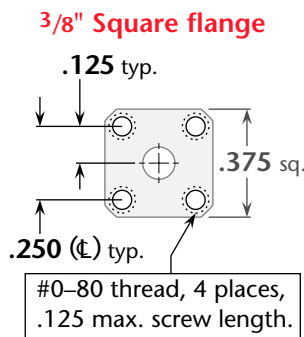
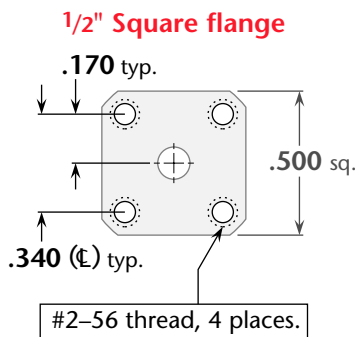


Panel Plug Receptacles—Field Replaceable, Square and 2-Hole Flange



Flange Figure	Dimensions		Plating		Delta P/N
	A (Pin Diameter)	B (Pin Length)	Body	Contact	
1	.009	.065	Passivated	Gold (C)	7997-000-K051-1
	.012	.085	Passivated	Gold (C)	7997-000-K051-2
	.015	.085	Passivated	Gold (C)	7997-000-K051-4
	.020	.090	Passivated	Gold (C)	7997-000-K051-3
2	.009	.065	Passivated	Gold (C)	7997-000-K911-1
	.012	.085	Passivated	Gold (C)	7997-000-K911-2
	.015	.085	Passivated	Gold (C)	7997-000-K911-12
	.020	.090	Passivated	Gold (C)	7997-000-K911-3
3	.009	.065	Passivated	Gold (C)	7997-000-K921-1
	.012	.085	Passivated	Gold (C)	7997-000-K921-2
	.015	.085	Passivated	Gold (C)	7997-000-K921-4
	.020	.090	Passivated	Gold (C)	7997-000-K921-3

Drilling Patterns—Panel-Mount Field Replaceable Plugs



Fillister-head screws are recommended for connector body clearance when mounting.
See page 11 for center hole drilling dimensions.

See page 10 for hermetic seals and accessory pins. • (C) indicates captive contact.



Panel Receptacles—Slot and Post Contact

Jack Receptacle—Slotted Contact

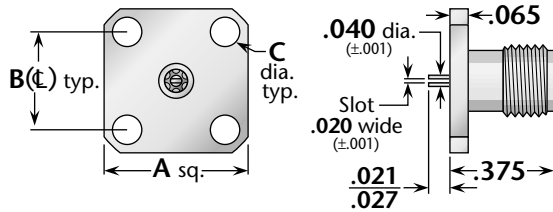


Figure 1

Plug Receptacle—Slotted contact

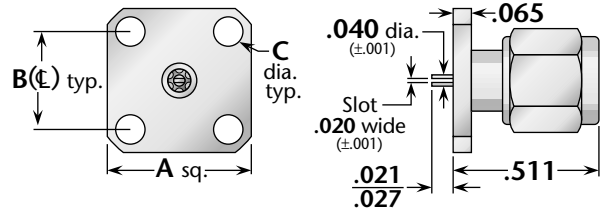


Figure 2

Jack Receptacle—Post Contact

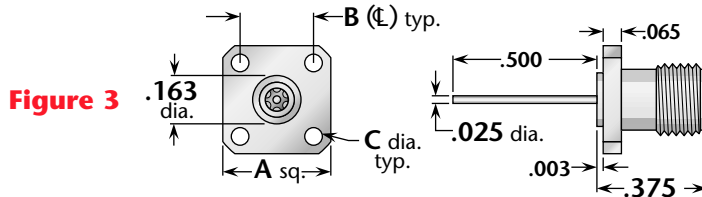


Figure 3

Figure	Dimensions			Plating		Delta P/N
	A	B	C	Body	Contact	
1	.500	.340	.102	Passivated	Gold (C)	7943-000-K051
2	.500	.340	.102	Passivated	Gold (C)	7959-000-K051
3	.375	.250	.067	Passivated	Gold (C)	7958-000-K911

(C) indicates captive contact. These items are available with other flange sizes and contact configurations.

Thread-in Receptacles—Field Replaceable, Jacks and Plugs

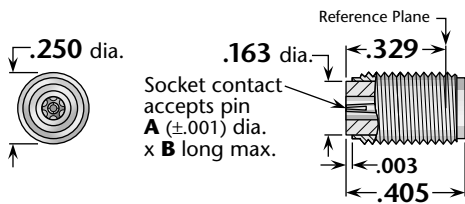


Figure 1

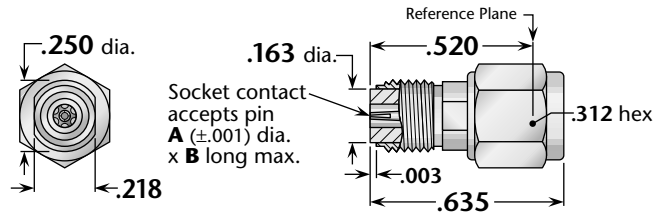


Figure 2

Figure	Dimensions		Plating		Delta P/N
	A (Pin Diameter)	B (Pin Length)	Body	Contact	
1	.009	.065	Passivated	Gold (C)	7921-000-K821-5
	.012	.085	Passivated	Gold (C)	7921-000-K821-1
	.015	.085	Passivated	Gold (C)	7921-000-K821-4
	.020	.090	Passivated	Gold (C)	7921-000-K821-2
2	.009	.065	Passivated	Gold (C)	7924-000-K001-3
	.012	.085	Passivated	Gold (C)	7924-000-K001-1
	.015	.085	Passivated	Gold (C)	7924-000-K001-4
	.020	.090	Passivated	Gold (C)	7924-000-K001-2

See page 10 for hermetic seals and accessory pins. • See page 11 for mounting hole drilling.
(C) indicates captive contact.



Adapters Within Series

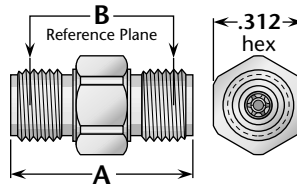


Figure 1

(Straight jack-jack; connects two plugs)

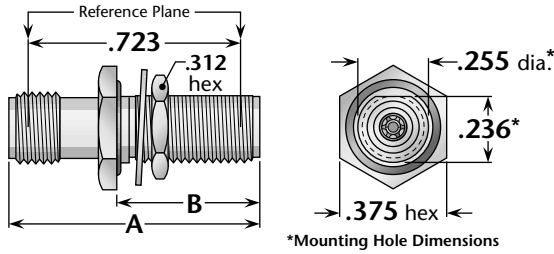


Figure 2

(Bulkhead jack-jack; connects two plugs)
Fits panel .187" thick maximum

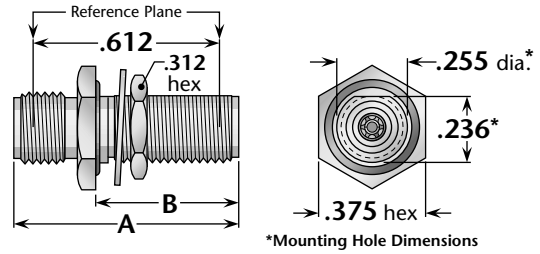


Figure 3

(Bulkhead jack-jack; connects two plugs)
Fits panel .160" thick maximum

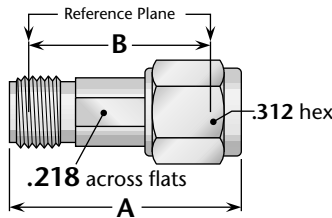


Figure 4

(Straight jack-plug; connects one plug and one jack)

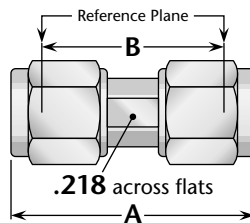


Figure 5

(Straight plug-plug; connects two jacks)

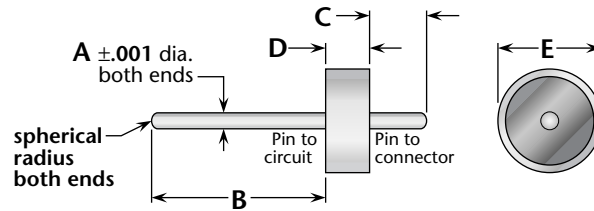
Figure	Dimensions		Plating		Delta P/N
	A	B	Body	Contact	
1	.590	.438	Passivated	Gold (C)	7928-000-K001
1	.764	.612	Passivated	Gold (C)	7928-000-K001-1
2	.875	.500	Passivated	Gold (C)	7926-000-K671
3	.764	.480	Passivated	Gold (C)	7926-000-K671-1
4	.805	.612	Passivated	Gold (C)	7934-000-K001-1
5	.846	.612	Passivated	Gold (C)	7927-000-K001-1

(C) indicates captive contact.



Hermetic Seals

These drawings are 200% scale compared with connector drawings for clarity.
 Hermetic seals are available with other pin lengths to suit your specific requirement.



Ring and pin material: Kovar, gold plated per MIL-G-45204 Type II, Grade C, Class 1.
Leak rate: >1 x 10⁻⁸ cc/sec @at 14.7 PSIG differential, using 100% helium. **Impedance:** 50 ±2 Ω.

Dimensions					Glass Type	Frequency Range	Delta P/N
A	B	C	D	E			
.009	.026	.031	.055	.068	7070	DC-65.0 GHz	41-10050-01-AU
.009	.120	.031	.055	.068	7070	DC-65.0 GHz	41-10051-01-AU
.012	.180	.073	.069	.076	7070	DC-42.0 GHz	41-10044-01-AU
.012	.080	.040	.055	.076	7070	DC-42.0 GHz	41-10045-01-AU
.012	.029	.040	.055	.076	7070	DC-42.0 GHz	41-10049-01-AU
.015	.125	.050	.062	.098	7070	DC-28.0 GHz	41-10046-01-AU
.018	.180	.072	.060	.110	7070	DC-18.0 GHz	41-10047-01-AU
.020	.125	.050	.060	.158	7052	DC-8.0 GHz	41-10048-01-AU

See page 11 for mounting hole dimensions.

Accessory Pins

These drawings are 200% scale compared with connector drawings for clarity.
 Pins are available with other tab sizes and configurations to suit your specific requirement.

Figure 1

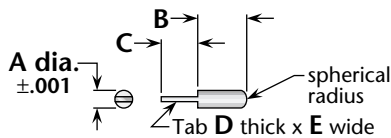
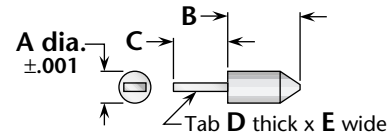


Figure 2



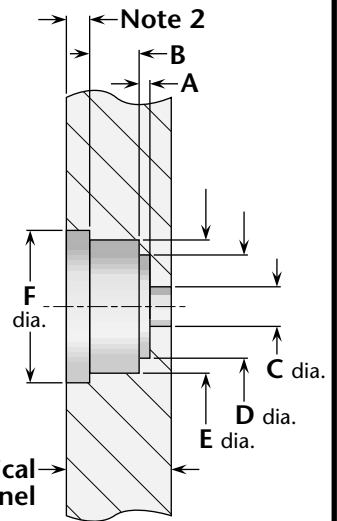
Material: Beryllium copper, Alloy C17300, condition H, per ASTM B196
Finish: Gold plated per MIL-G-45204 Type II, Class 1, Grade C, over nickel plate per AMS-QQ-N-290, Class 1, Grade G.

Figure	Dimensions					Delta P/N
	A	B	C	D	E	
1	.009	.050	.015	.005	.009	81-10293-01-AU
1	.012	.050	.025	.005	.012	33-10432-01-AU
1	.015	.085	.040	.005	.015	33-10416-01-AU
1	.018	.085	.045	.005	.018	81-10294-01-AU
1	.020	.080	.050	.006	.020	81-10260-01-AU
2	.036	.075	.050	.005	.020	81-10275-01-AU



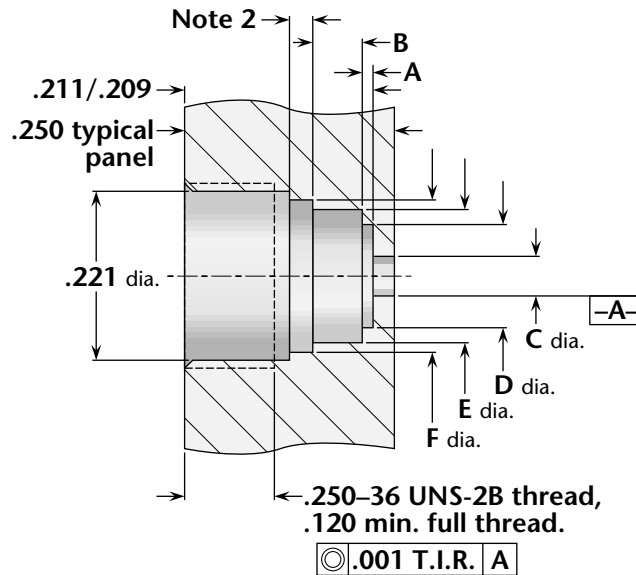
Drilling for Hermetic Seals—Panel Mount Receptacles

Hermetic Seal P/N	Pin Dia.	Dimensions					
		A	B	C	D	E	F
41-10044-01-AU	.012	.0035/.0025	.072/.071	.028/.027	.067/.065	.079/.078	.098
41-10045-01-AU	.012	.0035/.0025	.057/.056	.028/.027	.067/.065	.079/.078	.098
41-10046-01-AU	.015	.007/.005	.0645/.0635	.035/.034	.080/.078	.102/.100	.120
41-10047-01-AU	.018	.009/.007	.062/.061	.042/.041	.086/.084	.113/.112	.130
41-10048-01-AU	.020	.010/.009	.062/.061	.0465/.0455	.126/.124	.161/.160	.178
41-10049-01-AU	.012	.0035/.0025	.057/.056	.028/.027	.067/.065	.079/.078	.098
41-10050-01-AU	.009	.008/.006	.058/.057	.0211/.0205	.0322/.0302	.074/.072	.091
41-10051-01-AU	.009	.008/.006	.058/.057	.0211/.0205	.0322/.0302	.074/.072	.091



Note 1: Surface treatment (plating) must be compatible with soldering process.
Note 2: User-determined. Recommended F diameter x .025 deep to accommodate 3 solder rings, .010 diameter each.

Drilling for Hermetic Seals—Bulkhead Mount Receptacles



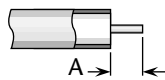
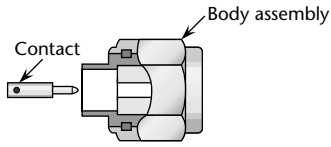
Hermetic Seal P/N	Pin Dia.	Dimensions					
		A	B	C	D	E	F
41-10044-01-AU	.012	.0035/.0025	.072/.071	.028/.027	.067/.065	.079/.078	.098
41-10045-01-AU	.012	.0035/.0025	.057/.056	.028/.027	.067/.065	.079/.078	.098
41-10046-01-AU	.015	.007/.005	.0645/.0635	.035/.034	.080/.078	.102/.100	.120
41-10047-01-AU	.018	.009/.007	.062/.061	.042/.041	.086/.084	.113/.112	.130
41-10048-01-AU	.020	.010/.009	.062/.061	.0465/.0455	.126/.124	.161/.160	.178
41-10049-01-AU	.012	.0035/.0025	.057/.056	.028/.027	.067/.065	.079/.078	.098
41-10050-01-AU	.009	.008/.006	.058/.057	.0211/.0205	.0322/.0302	.074/.072	.091
41-10051-01-AU	.009	.008/.006	.058/.057	.0211/.0205	.0322/.0302	.074/.072	.091

Note 1: Surface treatment (plating) must be compatible with soldering process.
Note 2: User-determined. Recommended F diameter x .025 deep to accommodate 3 solder rings, .010 diameter each.

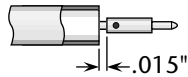


Assembly Procedure H

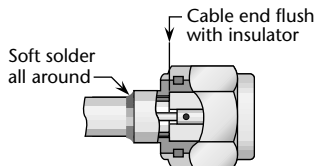
Trim Codes	
Code	A
H/01	.090



- 1) Trim cable as shown. Remove any burrs from jacket and center conductor.



- 2) Solder contact to center conductor, fixturing to maintain gap as shown. Remove any excess solder from outside of contact.

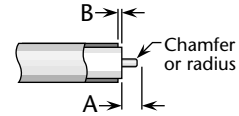


- 3) Insert cable into body and solder cable jacket to body, keeping end of cable flush with insulator as shown.

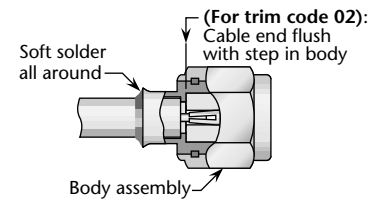
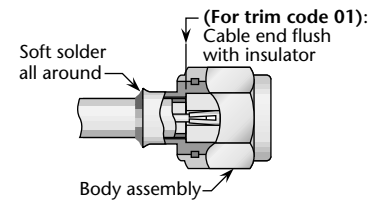
Plug body assembly and contact shown; procedure is identical for jack connectors.

Assembly Procedure I

Trim Codes		
Code	A	B
I/01	.090	.000
I/02	.090	.015



- 1) Trim cable as shown. Remove any burrs from jacket and center conductor.



- 2) Insert cable into body and solder cable jacket to body, keeping end of cable flush with insulator (or step inside body) as shown.

Plug body assembly and contact shown; procedure is identical for jack connectors.



Index by Delta Part Number (Click on any line to go to the indicated page.)

Delta P/N	Page	Delta P/N	Page	Delta P/N	Page
33-10416-01-AU	10	7917-094-K677	5	7996-000-K911-2	6
33-10432-01-AU	10	7921-000-K821-1	8	7996-000-K911-3	6
41-10044-01-AU	10	7921-000-K821-2	8	7996-000-K911-10	6
41-10045-01-AU	10	7921-000-K821-4	8	7996-000-K921-1	6
41-10046-01-AU	10	7921-000-K821-5	8	7996-000-K921-2	6
41-10047-01-AU	10	7924-000-K001-1	8	7996-000-K921-3	6
41-10048-01-AU	10	7924-000-K001-2	8	7996-000-K921-4	6
41-10049-01-AU	10	7924-000-K001-3	8	7997-000-K051-1	7
41-10050-01-AU	10	7924-000-K001-4	8	7997-000-K051-2	7
41-10051-01-AU	10	7926-000-K671	9	7997-000-K051-3	7
7901-031-K003	4	7926-000-K671-1	9	7997-000-K051-4	7
7901-031-K007	4	7927-000-K001-1	9	7997-000-K911-1	7
7901-094-K003	4	7928-000-K001	9	7997-000-K911-2	7
7901-094-K007-1	4	7928-000-K001-1	9	7997-000-K911-3	7
7901-111-K003	4	7934-000-K001-1	9	7997-000-K911-12	7
7908-031-K007	4	7943-000-K051	8	7997-000-K921-1	7
7908-094-K007	4	7958-000-K911	8	7997-000-K921-2	7
7911-031-K057	5	7959-000-K051	8	7997-000-K921-3	7
7911-031-K927	5	7996-000-K051-1	6	7997-000-K921-4	7
7911-094-K057	5	7996-000-K051-2	6	81-10260-01-AU	10
7911-094-K927	5	7996-000-K051-3	6	81-10275-01-AU	10
7917-031-K677	5	7996-000-K051-4	6	81-10293-01-AU	10
		7996-000-K911-1	6	81-10294-01-AU	10

Competitive Cross-Reference

Anritsu P/N	Delta P/N	Dynawave P/N	Delta P/N	Southwest P/N	Delta P/N
K101M-085	7901-094-K003	9552-0085-6200	7996-000-K921-2	1011-01SF	7997-000-K051-2
K102F	7921-000-K821-1	9552-0085-6208	7996-000-K921-1	1011-05SF	7997-000-K051-3
K102M	7924-000-K001-1	9552-0085-6217	7996-000-K921-4	1011-11SF	7997-000-K911-2
K103F	7996-000-K921-2	9552-0085-6220	7996-000-K921-3	1011-15SF	7997-000-K911-3
K103M	7997-000-K921-2	9552-4741-6200	7911-094-K927	1012-01SF	7996-000-K051-2
K104F	7996-000-K051-2	9554-0085-6203	7996-000-K911-2	1012-05SF	7996-000-K051-3
K104M	7997-000-K051-2	9554-0085-6204	7996-000-K911-10	1012-11SF	7996-000-K911-2
		9554-0085-6212	7996-000-K051-2	1012-16SF	7996-000-K911-3
Astrolab P/N	Delta P/N	9554-0085-6215	7996-000-K051-4	1013-01SF	7997-000-K921-2
29963-1	7996-000-K051-2	9554-0085-6220	7996-000-K051-3	1013-05SF	7997-000-K921-3
29963-2	7996-000-K921-2			1014-01SF	7996-000-K921-2
29964	7921-000-K821-1			1014-05SF	7996-000-K921-3
Dynawave P/N	Delta P/N	E.F. Johnson P/N	Delta P/N	1020-01SF	7921-000-K821-1
1100-9494-6200	7927-000-K001-1	145-0693-002	7901-094-K003	1020-02SF	7921-000-K821-2
1100-9495-6200	7934-000-K001-1	145-0694-002	7901-031-K003	1021-01SF	7924-000-K001-1
1100-9595-6200	7928-000-K001-1	145-0701-002	7921-000-K821-1	1021-02SF	7924-000-K001-2
1110-9595-6200	7926-000-K671-1	145-0701-602	7996-000-K921-2	1030-00SF	7934-000-K001-1
9400-4725-6200	7901-111-K003	145-0701-612	7996-000-K051-2	1031-00SF	7927-000-K001-1
9400-8525-6200	7901-094-K003			1032-00SF	7928-000-K001-1
9430-0085-6200	7924-000-K001-1	M/A Com P/N	Delta P/N	1032-10SF	7926-000-K671-1
9430-0085-6208	7924-000-K001-3	4851-3575-02	7997000K921-002		
9452-0085-6209	7997-000-K921-1	4851-3576-02	7997000K051-002	SV Microwave P/N	Delta P/N
9452-0085-6212	7997-000-K921-2	4852-3575-02	7996000K921-002	SF1503-6103	7901-094-K003
9452-0085-6217	7997-000-K921-4	4852-3576-02	7996000K051-002	SF1550-6400	7996-000-K051-2
9452-0085-6220	7997-000-K921-3	4857-3577-02	7924000K001-001	SF1575-6007	7921-000-K821-1
9454-0085-6203	7997-000-K911-2	4858-3577-02	7921000K821-001	SF1590-6000	7928-000-K001
9454-0085-6204	7997-000-K911-12			SF1596-6000	7927-000-K001-1
9454-0085-6209	7997-000-K051-1	Rosenberger P/N	Delta P/N	SF1597-6003	7934-000-K001-1
9454-0085-6212	7997-000-K051-2	02K521-800S3	7921-000-K821-1		
9454-0085-6215	7997-000-K051-4	02S521-800S3	7924-000-K001-1		
9454-0085-6220	7997-000-K051-3				
9500-4725-6200	7908-094-K007	S.G. McGeary P/N	Delta P/N		
9510-8520-6200	7917-094-K677	200-34-10-410	7901-031-K003		
9530-0085-6200	7921-000-K821-1	200-34-10-850	7901-094-K003		
9530-0085-6208	7921-000-K821-5	310-34-12-000	7997-000-K921-2		
		310-35-12-000	7996-000-K921-2		
		311-34-12-000	7997-000-K051-2		
		311-35-12-000	7996-000-K051-2		
		350-35-12-000	7921-000-K821-1		



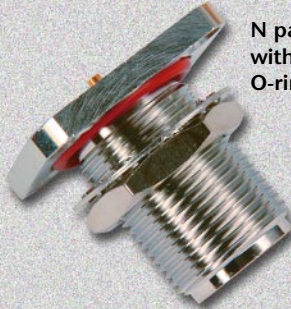
Although our catalogs contain a good representation of the scope of our product lines and capabilities, they cannot include all of the special-purpose connectors we have developed and manufactured over the years in response to our customers' specific requirements. We hope that this sampling of our unique designs will give you a better idea of our capability to design exactly the connector you need for your project. Our engineering staff welcomes your inquiries for special connector configurations of any series or specifications.

"Obsolete" is not in our vocabulary—If you still need it, we'll still make it.

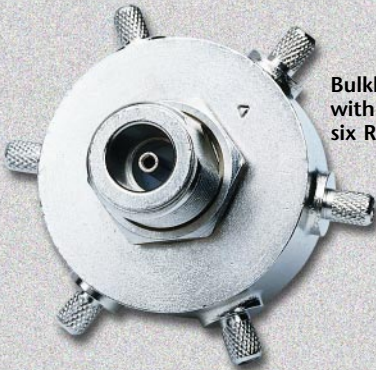
SMA PressMount jack receptacle with right-angle post contact



N panel jack receptacle with bulkhead mounting, O-ring, and post contact.



N right angle push-on plug with three-hole flange and crimp cable attachment. Mates with standard type N jack.



Bulkhead-mounted N jack with crimp attachment for six RG-58 series cables.



7/16 panel jack with 1.75" square flange, integral outer contact, extended bulkhead mount body, and provision for mounting gasket.



SMA jack receptacle with threaded mounting, mounting gasket, and post contact.



Type N jack with round flange for antenna mounting; solder post provided for secondary ground signal connection.



BMC (high-frequency slide-on mating) adapters to SMA jacks. One side of mating pair float mounted for use in rack and panel applications.



N PressMount jack, with mounting gasket, direct-solder type for semi-rigid cable.



Straight and right angle slide-on panel mounted BNC plugs, clamp and crimp type cable attachment—mate with standard BNC jacks.



BMA edge mount PCB plug receptacle with bulkhead mount.



SMA bulkhead cable jack, crimp type, with 45-degree cable entry.

About Delta Electronics

Manufacturing Corporation

ISO9001:2008 Certified

From our early New England roots to our current global manufacturing presence, we have consistently grown with, and adapted to, the ever-changing requirements of the coaxial connector market. Beginning as a small manufacturer of UHF-frequency connectors, our growth in product lines and manufacturing capability now positions us as a premier connector supplier, with one of the broadest ranges of products in the industry.

Along with our product-line expansion, we recognized the need to keep pace with innovations such as Lean Manufacturing, precision CNC turning centers, and sophisticated CAD/CAM and HFSS design-modeling software, all geared toward providing our customers the highest-quality products available, with quick delivery and competitive prices.

As the connector market expanded in scope worldwide, we responded by developing a global presence to better serve the needs of our customers, both domestic and international.

Our wholly-owned subsidiary in Nanjing, China provides unmatched capability to meet customer requirements, particularly for low-cost, high-volume connector types.

In recognition of our customers' need to streamline their processes, we have launched our "Value Added" services, providing finished cable assemblies and integrated connectorized components that help our customers optimize their production and eliminate overhead.

Another "Value-Added" service is our new, fully-automated electroplating facility, incorporating robotic handling and computerized process controls and testing, increasing our capability to perform contract plating of a wide variety of component parts with the same quality and consistency featured on our connectors.

Call us for all your coaxial connector needs—we make over 70 different series to match your requirements exactly, including:

- 1.0/2.3 • 7/16 • Adapters Between Series* • BMA • BMMA • BNC*
- BNC Push-on • C • Cable assemblies • E-Line Brass SMA • GHV
- GR874 • HN • LC-LT • MC-Card • MCX • MMCX • MHV • N* • QDS
- QDL • QMA • SC • SM • SMA* • SMA 26.5 GHz • SMA 27 GHz
- SMB • SMC • SMD • SMK (2.92 MM) • SMP • SSMC • TNC*
- TPS • Triaxial BNC, C, N, TNC • Twinax BNC, HN, TNC
- Twinax HV • Twinax 3/4-20 • 75Ω BNC, TNC
- 70Ω N • UHF

*M39012/M55339 QPL available.



→ Connect Here.



→ Connect Here.

Delta Electronics Mfg. Corp.
Tel: (978) 927-1060 • Fax: (978) 922-6430 • www.DeltaRF.com
P.O. Box 53 • 416 Cabot St. • Beverly, MA 01915 USA
Delta Microwave Electronics MFG. Corp.
Tel: +86 25 85436297 • Fax: +86 25 85436297
P.O. Box 977 • Technology Park
Luxiying 977 • Nanjing 210037, China
(978) 927-1060 • FAX (978) 922-6430 • www.DeltaRF.com
P.O. Box 53 • 416 Cabot St. • Beverly, MA 01915

SMK PDF v1.1 7/09