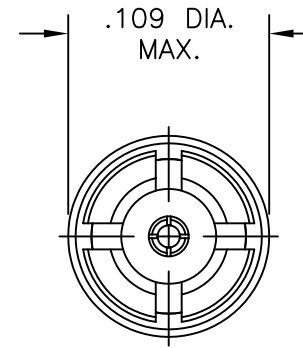
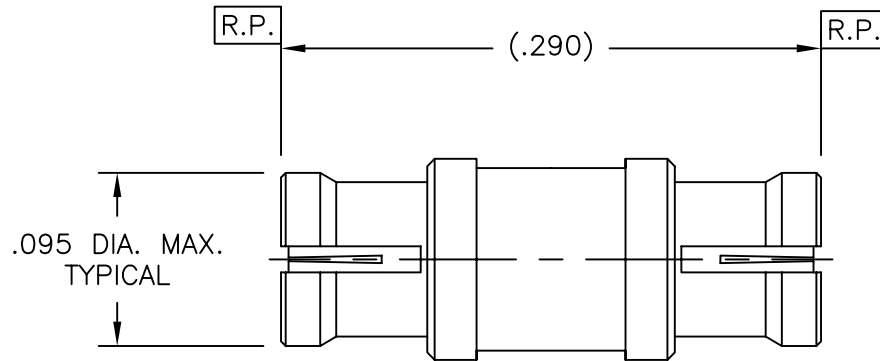


**ENGINEERING SKETCH  
FOR DEVELOPMENT  
PURPOSES ONLY  
S. MORLEY 01/07/2005**

8828-000-G001-003



**NOTES:**

- BODY & CONTACT: BERYLLIUM COPPER, OER ASTM B196  
INSULATOR: TEFLON (PTFE), PER ASTM D1710
- BODY & CONTACT: GOLD PLATE PER MIL-G-45204

DELTA ELECTRONICS MFG. CORP. Beverly, MA 01915				
TITLE: SMPM STRAIGHT FEMALE TO FEMALE ADAPTER (BULLET)				
MATERIAL: NOTE 1				
FINISH: NOTE 2				
Drawn by STM 12/22/04	Scale 10/1	Ckd. by	Mfg. Appd.	Engr. Appd.
CODE IDENT.-00795		8828-000-G001-003		

LB./M x FT./M x Stock Size x					
TOLERANCES: UNLESS OTHERWISE SPECIFIED: DECIMALS = ±.005 SURFACE FINISH = 63, FRACTIONS = ±1/64, ANGLES = ±1/2° REMOVE ALL BURRS AND SHARP EDGES. T.I.R. MUST BE HELD @ .004.	-	REL ERN	X	<del>X</del>	<del>X</del>
THESE DRAWINGS AND SPECIFICATIONS ARE THE PROPERTY OF DELTA ELECTRONICS MFG. CORP. AND SHALL NOT BE REPRODUCED, OR COPIED, OR USED AS THE BASIS FOR THE MANUFACTURE OR SALE OF APPARATUS OR DEVICES WITHOUT THEIR EXPRESS WRITTEN CONSENT.	ALT.	REVISIONS	DATE	ENGR APPD	MFG APPD
FILE NAME: 8828000G001-003T PLT © 10/1					