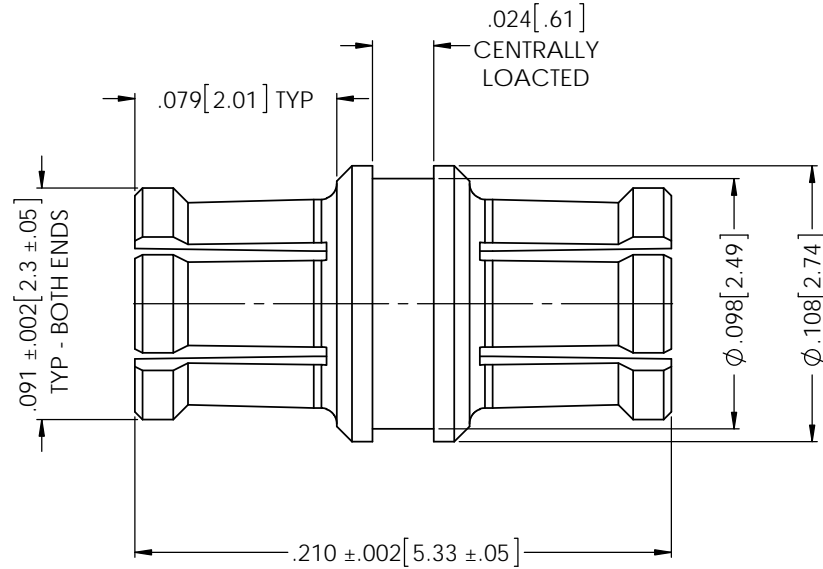
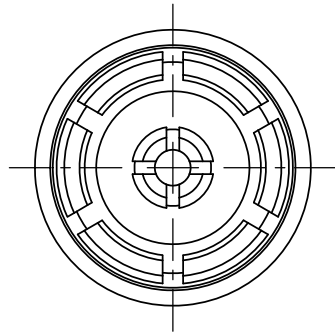
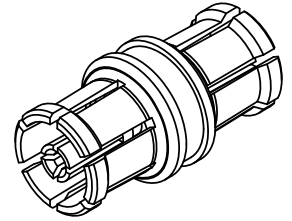




ALL DIMENSIONS IN BRACKETS ARE IN MM AND ARE FOR REFERENCE PURPOSE ONLY

8828000G001-001



MECHANICAL SPECIFICATIONS	
DURABILITY (w/full detent male)	250 MATES
CAPTIVATION - CONTACT	2.0 LBS MIN
FORCE TO ENGAGE/DISENGAGE (WHEN MATED WITH FULL DETENT)	5.0 / 6.0 lbs (FD)
ELECTRICAL/ ENVIRONMENTAL	
FREQUENCY RANGE	DC - 40.0 GHz
VSWR	1.5 MAX
IMPEDANCE	50 ± 2 OHMS
INSERTION LOSS (thru 18 GHz)	.60dB max
DWV @ SEA LEVEL	500 Vrms
INSULATION RESIST.	5,000 megohms min
VIBRATION	MIL-STD-202, METH. 204 COND D
SHOCK	MIL-STD-202, METH. 213 COND I
ALTITUDE	MIL-STD-202, METH. 105 COND C
THERMAL SHOCK	MIL-STD-202, METH. 107 COND B
TEMP RANGE	-65° TO +125° C

CONTACT - HIGH FREQUENCY	BERYLLIUM COPPER PER ASTM B196, C17300, COND. HT.	GOLD PLATE PER ASTM B488
INSULATOR	TEFLON PER ASTM D1710, TYPE 1, GRADE 1, CLASS A.	N/A
BODY - HIGH FREQUENCY	BERYLLIUM COPPER PER ASTM B196, C17300, COND. HT.	GOLD PLATE PER ASTM B488
DESCRIPTION	MATERIAL	FINISH

Table 1

PROPRIETARY AND CONFIDENTIAL
 THE INFORMATION CONTAINED IN THIS DRAWING IS THE SOLE PROPERTY OF DELTA ELECTRONICS MFG CORP. ANY REPRODUCTION IN PART OR AS A WHOLE WITHOUT THE WRITTEN PERMISSION OF DELTA ELECTRONICS MFG CORP. IS PROHIBITED.
 FILE NAME: 8828000G001-0011

UNLESS OTHERWISE SPECIFIED:		NAME	DATE	DELTA ELECTRONICS MFG CORP.	
DIMENSIONS ARE IN INCHES		DRAWN	BJM	4/13/2013	BEVERLY, MA 01915
TOLERANCES -		CHECKED	MR	4/13/2013	www.deltatrf.com / Ph: 978-927-1060 / Fax: 978-922-6430
FRACTIONAL ± 1/64		ENG APPR.	MR	4/13/2013	TITLE:
ANGULAR: MACH ± 1° BEND ± 1°		COMMENTS:		SMMP STRAIGHT ADAPTER FEMALE TO FEMALE .210 LONG	
TWO PLACE DECIMAL ± .01				SIZE	DWG. NO.
THREE PLACE DECIMAL ± .005				B	8828000G001-001
SURFACE FINISH = 63				REV	A
MAX. CORNER BREAKS = .004				CODE ID - 00795	WEIGHT: 0.08 g
THIRD ANGLE PROJECTION					SHEET 1 OF 1
MATERIAL	SEE TABLE				
FINISH	SEE TABLE				
SCALE: 20:1					