



DELTA
Electronics Mfg. Corp.

DESIGNED FOR EXTREME VIBRATION



THREADED RF
SMP-T / SMPM-T / SMP3-T



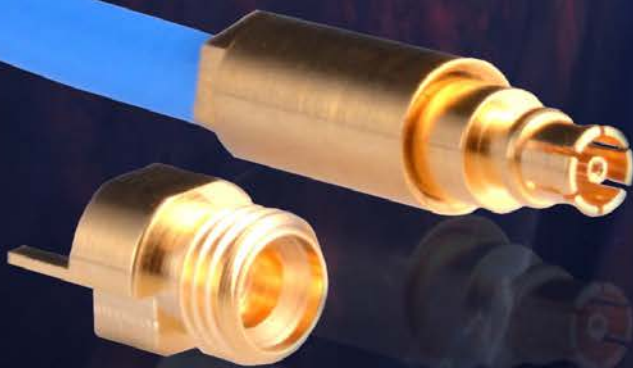
sales@deltarf.com (978) 927-1060 deltarf.com



Threaded RF
connectors
designed for
high vibration
applications

Call Delta today!
978-927-1060

SMP-T
SMPM-T
SMP3-T



THREADED RF SMP-T / SMPM-T / SMP3-T TABLE OF CONTENTS



SMP-T Part Descriptions	Part Number	Page #
SMP-T General Specifications		4
SMP-T Straight Cable Mount Plug, with Retractable Coupling Nut, .086" Cable	8608094G00N-000	6
SMP-T R/A Cable Mount Plug, with Coupling Nut, .086" Cable	8676094G00N-000	6
SMP-T PCB Mount Receptacle, Edge Launch and Ground Legs	8667000G91N-000	7
SMP-T PCB Mount Receptacle, Vertical Launch R/A Contact	8668000G91N-000	7

SMPM-T Part Descriptions	Part Number	Page #
SMPM-T General Specifications		8
SMPM-T Straight Cable Mount Plug, Retractable Coupling Nut, .047" Cable	8808111G00N-000	10
SMPM-T Straight Cable Mount Plug, Retractable Coupling Nut, .086" Cable	8808094G00N-000	11
SMPM-T R/A Cable Mount Plug, Seal with Coupling Nut, .047" Cable	8876111G00N-000	10
SMPM-T R/A Cable Mount Plug, Coupling Nut, .086" Cable	8876094G003-004	11
SMPM-T PCB Mount Receptacle, Vertical Launch, Ground Legs	8868000G91N-000	12
SMPM-T PCB Mount Receptacle, Vertical Launch, R/A Center Contact	8868000G91P-086	12
SMPM-T PCB Mount Receptacle, Edge Launch, Surface Mount Ground Legs	8867000G91N-003	13
SMPM-T PCB Mount Receptacle, Edge Launch, Surface Mount Ground Legs	8867000G91N-002	13

SMP3-T Part Descriptions	Part Number	Page #
SMP3-T General Specifications		14
SMP3-T Straight Cable Mount Plug, With Coupling Nut, .047" Cable	9308111G00N-000	16
SMP3-T R/A Cable Mount Plug, With Coupling Nut, .047" Cable	9376111G00N-000	16
SMP3-T PCB Mount Receptacle, Edge Launch and Ground Legs	9367000G91N-000	17
SMP3-T PCB Mount Receptacle, Vertical Launch and Ground Legs	9368000G00N-000	17

SMP-T, SMPM-T, SMP3-T Cable Assembly & Tooling	Part Number	Page #
Cable Assembly Options	.040 / .047 / .087 Cable	19
Tooling	T33-88000-*	20

SMP-T/SMPM-T/SMP3-T Markets

Delta's threaded SMP-T, SMPM-T and SMP3-T series are ideal for launch vehicle applications including hypersonics, satellites, military and commercial aircraft, antenna systems, transportable electronic equipment and any application requiring small size and reliable RF performance. In demanding applications involving vibration and mechanical shock, Delta's SMP-T, SMPM-T & SMP3-T connectors provide stable RF performance up to 65 GHz. Each threaded series has straight cable mount configurations with retractable coupling nuts and Delta's unique space saving low profile R/A cable mount designs. PCB configurations include both vertical launch and low profile edge launch designs.



Aerospace



Aviation



Communications

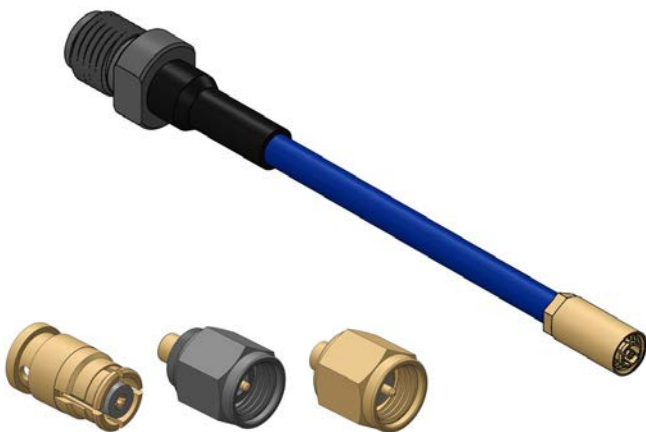


Hypersonic

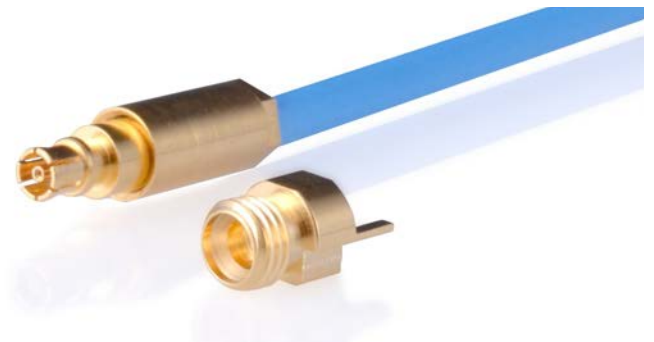
SMP-T/SMPM-T/SMP3-T Design Features

SMP-T, SMPM-T & SMP3-T critical interface dimensions meet the applicable industry standards including: DSCC 94007, 94008, Mil-STD-348, Mil-PRF-31031, IEC 61169-60, IEC 61169-44. Engineers can choose from Smooth Bore, Limited Detent or Full Detent interface options. Cable mount designs accommodate semi-rigid, conformable, and flexible variants of .047" and .086" (RG 405) cable. Delta can adapt the cable mount designs to accept low loss, phase stable cable variants with higher VoP (77% to 83%) dielectrics. PCB configurations can also be adapted to fit different PCB thicknesses and custom mechanical footprints. Vertical launch PCB designs are available with straight and R/A surface mount center contacts, through hole center contacts and either surface mount or through hole grounding features.

Delta's .047" and .086" cable assemblies perform up to 65 GHz and are tested for Insertion Loss and Return Loss performance.



Call the Delta hyper-responsive engineering design team to discuss a custom connector or cable application!



Delta Cable Assemblies

- Flexible and semi-rigid cable options
- Insertion Loss and Return Loss measurements up to 65 GHz
- IPC-A-620 and J-STD-001 inspection & soldering
- Phase match and delay measurements
- End 2 Connector options include: SMA, 2.92 mm, 1.85 mm, or any of Delta's RF connector interfaces suitable for .047" and .086" cable



SMP-T Electrical Specifications

Operating Frequency
Straight Cable Mount - DC to 40 GHz
R/ A Cable Mount - DC to 26.5 GHz
Straight PCB Mount - DC to 40 GHz
R/ A PCB Mount - DC to 26.5 GHz
Impedance
Straight and Right Angle - 50 Ω
Insertion Loss
.05 +.04√f in GHz (non hermetic connectors)
VSWR (Voltage Standing Wave Ratio)
1.35:1 Max. thru 26.5 GHz; 1.5 Max. thru 40 GHz
RF Leakage
-80 db to 3 GHz, -65 db to 40 GHz
Insulation Resistance
5,000 megohms
DWV (@ sea level)
500 Vrms

SMP-T Environmental Specifications

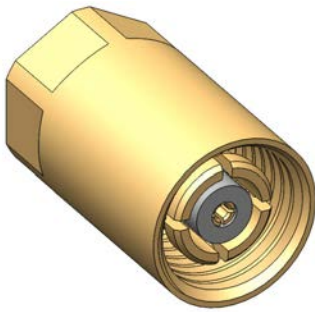
Temperature Range
-65 C to + 165 C
Mechanical Shock
Meets Mil-STD-202, Method 213,
Random Vibration
Meets MIL-STD-202, Method 214, Condition K-I, 46.3 g
Sine Vibratlon
MIL-STD-202, method 204, 28 g peak
Altitude
Meets Mil-STD-202, Method 105, Condition C
Thermal Shock
Meets Mil-STD-202, Method 107, Condition B
Moisture Resistance
MIL-STD-202, Method 106

SMP-T Mechanical Specifications

Force to Engage
Smooth Bore • 1.5 lbs typ
Full Detent - 7.0 lbs typ
Force to Disengage
Smooth Bore 1.0 lbs typ
Full Detent • 9.0 lbs typ
Durability
Smooth Bore • 1000 cycles
Limited Detent • 500 cycles
Full Detent • 100 cycles
Contact Retention
1.5 lbs Min
Recommended Coupling Nut Torque
28 to 32 in. oz.

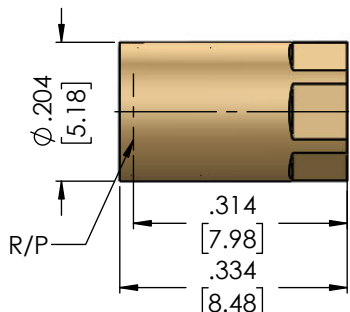
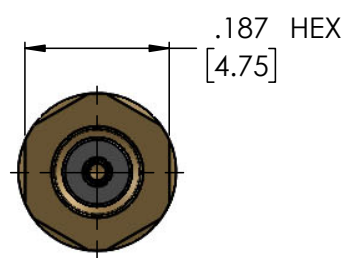
SMP-T Materials & Plating Specifications

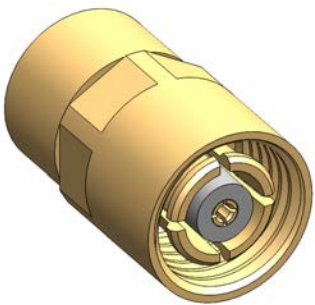
Materials
Bodies • Beryllium Copper per ASTM B196 or Stainless Steel, type 303, Condition A
Outer Contacts • Beryllium Copper per ASTM B196
Center Contacts • Beryllium Copper per ASTM B196
Insulators • PTFE Fluorocarbon per ASTM D1710, type 1, grade 1; Torlon per ASTMD-5204 or Ultem per ASTM D-5205
Plating
Bodies • Gold Plate per ASTM B488 over Nickel Plate per SAE AMS-QQ-N-290 or Passivated per SAE AMS 2700
Outer Contacts • Gold Plate per ASTM B488, over Nickel Plate per SAE AMS-QQ-N-290
Center Contacts • Gold Plate per ASTM B488, Type II, over Nickel Plate per SAE AMS-QQ-N-290



SMP-T 8608094G00N-000

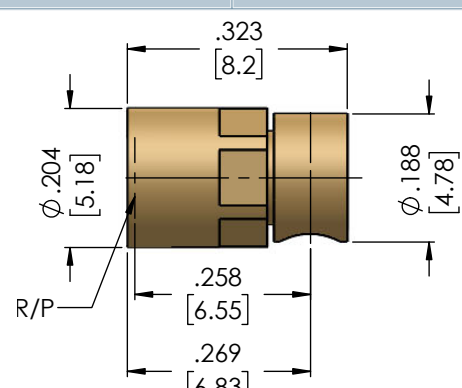
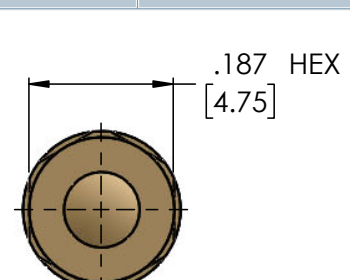
Straight Cable Mount Female, with Retractable Coupling Nut, for .086" (RG 405) Semi-Rigid Cable or Flexible Equivalents

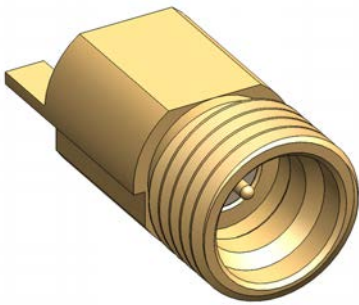
Part Number		Configuration	Cable	CC Termination	OC Termination
8608094G00N-000		Straight	.086" (RG 405) SR or Flex	One Step Solderless	Direct Solder
Product Features					
Frequency	DC to 40 GHz				
CC Gender	Female				
CC & Body Plating	Gold				
Durability	500 Cycles				
Torque	28-32 in. oz.				
Interface Seal	No				



SMP-T 8676094G00N-000

Right Angle Cable Mount Female, with Retractable Coupling Nut, for .086" (RG 405) Semi-Rigid Cable or Flexible Equivalents

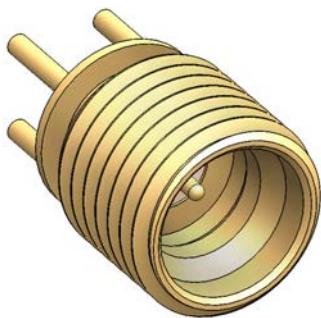
Part Number		Configuration	Cable	CC Termination	OC Termination
8676094G00N-000		Right Angle	.086" (RG 405) SR or Flex	Solder	Direct Solder
Product Features					
Frequency	DC - 26.5 GHz				
CC Gender	Female				
CC & Body Plating	Gold				
Durability	500 Cycles				
Torque	28-32 in. oz.				
Interface Seal	No				



SMP-T 8667000G91N-000

PCB Mount Receptacle, Male,
Full Detent, Edge Launch, Surface
Mount Center Contact and Ground Legs

Part Number		Configuration	PCB Mount	CC Termination	OC Termination
8667000G91N-000		Straight	Edge Launch	Surface Mount	Surface Mount
Product Features					
Frequency	DC to 40 GHz				
CC Gender	Male				
CC & Body Plating	Gold				
Durability	100 Cycles				
Tin Dip	Available				
Tape & Reel	Available				
Interface	Full Detent				



SMP-T 8668000G91N-000

PCB Mount Receptacle Male,
Full Detent, Vertical Launch, Right
Angle Surface Mount Center Contact,
Thru Hole Ground Legs

Part Number		Configuration	PCB Mount	CC Termination	OC Termination
8668000G91N-000		Straight	Vertical Launch	Surface Mount	Thru Hole
Product Features					
Frequency	DC to 40 GHz				
CC Gender	Male				
CC & Body Plating	Gold				
Durability	100 Cycles				
Tin Dip	Available				
Tape & Reel	Available				
Interface	Full Detent				

SMPM-T Electrical Specifications

Operating Frequency
Straight Cable Mount - DC to 65 GHz
R/ A Cable Mount - DC to 40 GHz
Straight PCB Mount - DC to 65 GHz
R/ A PCB Mount - DC to 40 GHz
Impedance
Straight and Right Angle - 50 Ω
Insertion Loss
.05 +.04√f in GHz (non hermetic connectors)
VSWR (Voltage Standing Wave Ratio)
1.35:1 Max. thru 26.5 GHz; 1.4 Max. thru 65 GHz
RF Leakage
-80 db to 3 GHz, -65 db to 65 GHz
Insulation Resistance
5,000 megohms
DWV (@ sea level)
500 Vrms

SMPM-T Environmental Specifications

Temperature Range
-65 C to + 165 C
Mechanical Shock
Meets Mil-STD-202, Method 213,
Random Vibration
Meets Mil-STD-202, Method 214, Condition K-I, 46.3 g
Sine Vibration
MIL-STD-202, method 204, 28 g peak
Altitude
Meets Mil-STD-202, Method 105, Condition C
Thermal Shock
Meets Mil-STD-202, Method 107, Condition B
Moisture Resistance
MIL-STD-202, Method 106

SMPM-T Mechanical Specifications

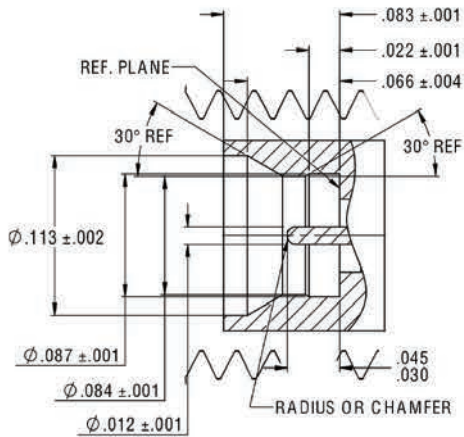
Force to Engage
Smooth Bore • 2.0 lbs typ
Limited Detent - 3.5 lbs typ
Full Detent - 5.0 lbs typ
Force to Disengage
Smooth Bore 1.5 lbs typ
Limited Detent - 4.0 lbs typ
Full Detent • 6.0 lbs typ
Durability
Smooth Bore • 1000 cycles
Full Detent • 100 cycles
Contact Retention
1.5 lbs Min
Recommended Coupling Nut Torque
28 to 32 in. oz.

SMPM-T Materials & Plating Specifications

Materials
Bodies • Beryllium Copper per ASTM B196 or Stainless Steel, type 303, Condition A
Outer Contacts • Beryllium Copper per ASTM B196
Center Contacts • Beryllium Copper per ASTM B196
Insulators • PTFE Fluorocarbon per ASTM D1710, type 1, grade 1; Torlon per ASTM D-5204 or Ultem per ASTM D-5205
Plating
Bodies • Gold Plate per ASTM B488, over Nickel Plate per SAE AMS-QQ-N-290 or Passivated per SAE AMS 2700
Outer Contacts • Gold Plate per ASTM B488, over Nickel Plate per SAE AMS-QQ-N-290
Center Contacts • Gold Plate per ASTM B488, Type II ,over Nickel Plate per SAE AMS-QQ-N-290

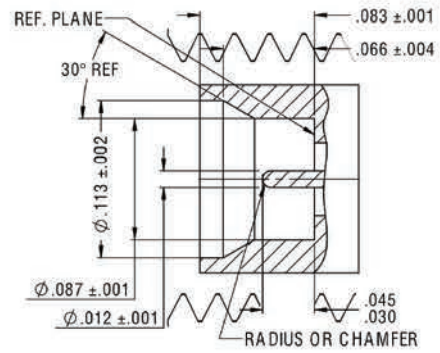
SMPM-T Interface Dimensions

SMPM-T Male Full Detent Interfaces



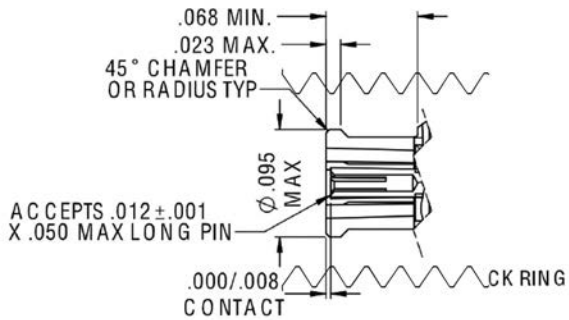
PER MIL-STD-348A - Figure 328.2

SMPM-T Male Smooth Bore Interfaces

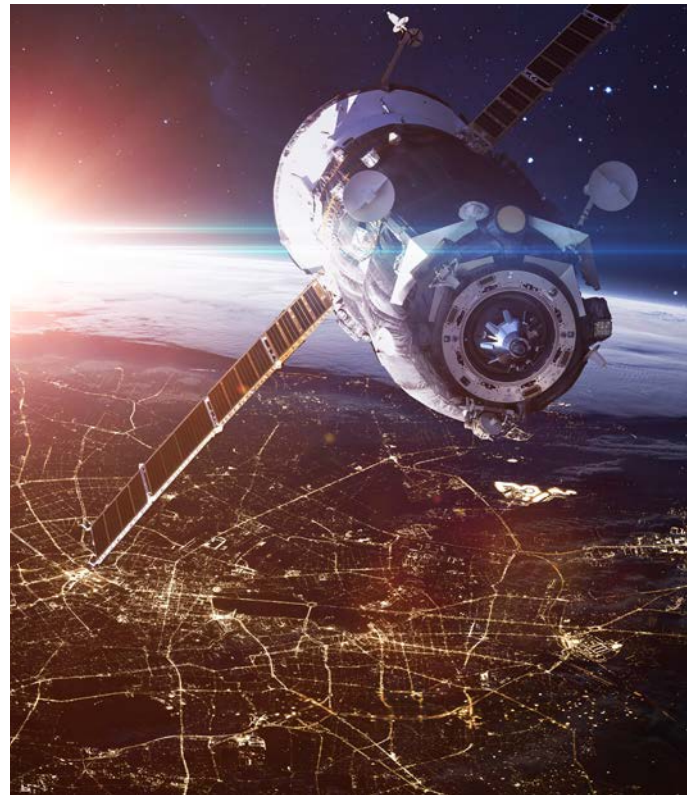


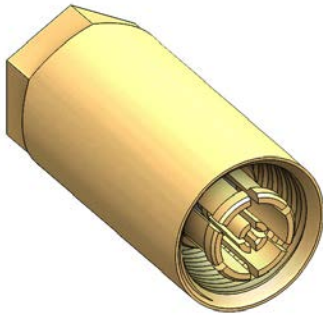
PER MIL-STD-348A - Figure 328.3

SMPM-T Female



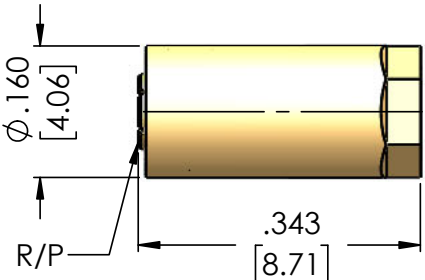
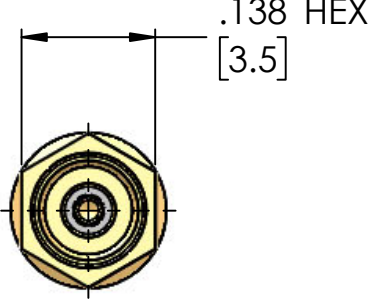
PER MIL-STD-348B - Figure 326.1a

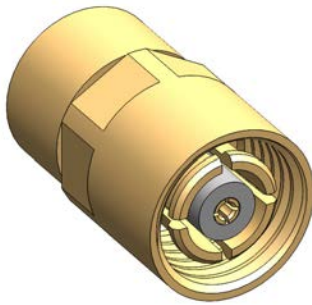




SMPM-T 8808111G00N-000

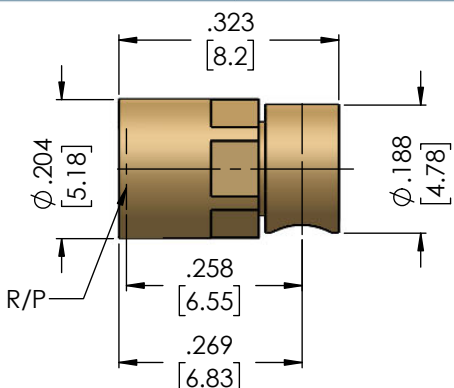
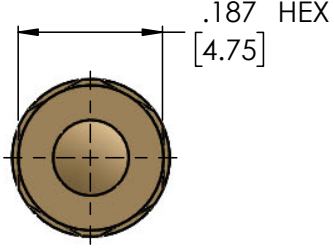
Straight Cable Mount Female,
with Retractable Coupling Nut, for .047"
Semi-Rigid Cable or Flexible Equivalents

Part Number		Configuration	Cable	CC Termination	OC Termination
8808111G00N-000		Straight	.047" SR or Flex	One Step Solderless	Direct Solder
Product Features					
Frequency	DC to 65 GHz				
CC Gender	Female				
CC & Body Plating	Gold				
Durability	500 Cycles				
Torque	28-32 in. oz.				
Interface Seal	No				



SMPM-T 8876111G00N-000

Right Angle Cable Mount Female,
Integral Coupling Nut, for .047"
Semi-Rigid Cable or Flexible Equivalents

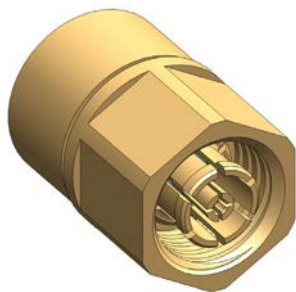
Part Number		Configuration	Cable	CC Termination	OC Termination
8876111G00N-000		Right Angle	.047" SR or Flex	Solder	Direct Solder
Product Features					
Frequency	DC to 40 GHz				
CC Gender	Female				
CC & Body Plating	Gold				
Durability	500 Cycles				
Torque	28-32 in. oz.				
Interface Seal	Yes				



SMPM-T 8808094G00N-000

Straight Cable Mount Female,
 With Retractable Coupling Nut, for .086" Semi-Rigid Cable or Flexible Equivalents

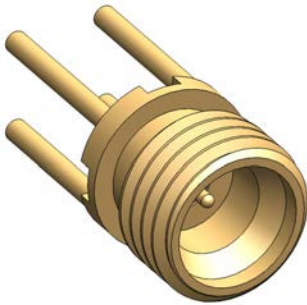
Part Number		Configuration	Cable	CC Termination	OC Termination
8808094G00N-000		Straight	.086" (RG 405) SR or Flex	One Step Solderless	Direct Solder
Product Features					
Frequency	DC to 65 GHz				
CC Gender	Female				
CC & Body Plating	Gold				
Durability	500 Cycles				
Torque	28-32 in. oz.				
Interface Seal	No				



SMPM-T 8876094G003-004

Right Angle Cable Mount Female,
 with Integral Coupling Nut, .178" Hex
 for .086" (RG-405) Semi-Rigid Cable
 or Flexible Equivalents

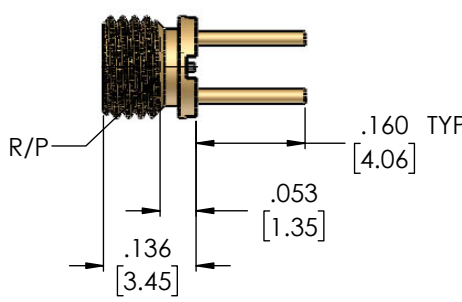
Part Number		Configuration	Cable	CC Termination	OC Termination
8876094G003-004		Right Angle	.086" (RG 405) SR or Flex	Solder	Direct Solder
Product Features					
Frequency	DC to 40 GHz				
CC Gender	Female				
CC & Body Plating	Gold				
Durability	500 Cycles				
Torque	28-32 in. oz.				
Interface Seal	No				

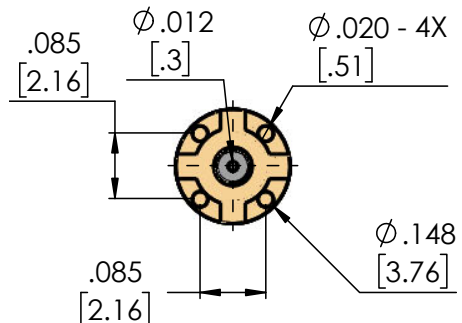


SMPM-T 8868000G91N-000

PCB Mount Receptacle, Male,
Vertical Launch, Smooth Bore,
Surface Mount Center Contact,
with Thru Hole Ground Legs

Part Number		Configuration	PCB Mount	CC Termination	OC Termination
8868000G91N-000		Straight	Vertical Launch	Surface Mount	Thru Hole
Product Features					
Frequency	DC to 65 GHz				
CC Gender	Male				
CC & Body Plating	Gold				
Durability	1000 Cycles				
Tin Dip	Available				
Tape & Reel	Available				
Interface	Smooth Bore				



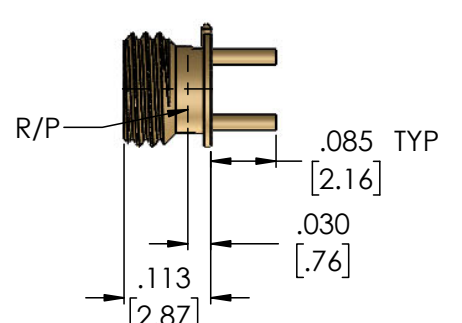


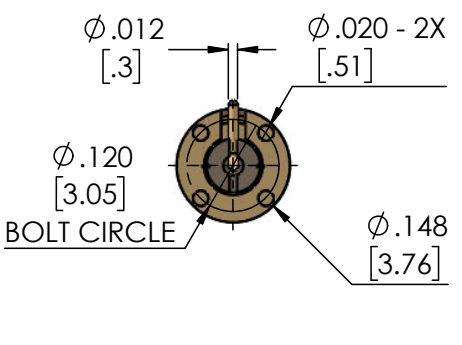


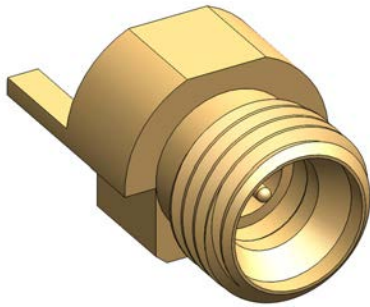
SMPM-T 8868000G91N-086

PCB Mount Receptacle, Male,
Vertical Launch, Full Detent, Right
Angle Surface Mount Center Contact,
with Thru Hole Ground Legs

Part Number		Configuration	PCB Mount	CC Termination	OC Termination
8868000G91N-086		Straight	Vertical Launch	Surface Mount	Thru Hole
Product Features					
Frequency	DC to 40 GHz				
CC Gender	Male				
CC & Body Plating	Gold				
Durability	100 Cycles				
Tin Dip	Available				
Tape & Reel	Available				
Interface	Full Detent				



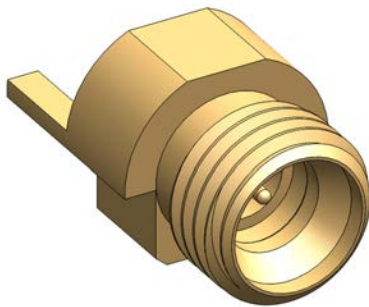




SMPM-T 8867000G91N-002

PCB Mount Receptacle, Male,
 Smooth Bore, Edge Launch,
 Surface Mount Center Contact
 and Surface Mount Ground Legs

Part Number		Configuration	PCB Mount	CC Termination	OC Termination
8867000G91N-002		Straight	Edge Launch	Surface Mount	Surface Mount
Product Features					
Frequency	DC to 65 GHz				
CC Gender	Male				
CC & Body Plating	Gold				
Durability	1000 Cycles				
Tin Dip	Available				
Tape & Reel	Available				
Interface	Smooth Bore				



SMPM-T 8868000G91N-003

PCB Mount Receptacle, Male,
 Full Detent, Edge Launch,
 Surface Mount Center Contact
 and Surface Mount Ground Legs

Part Number		Configuration	PCB Mount	CC Termination	OC Termination
8868000G91N-003		Straight	Edge Launch	Surface Mount	Surface Mount
Product Features					
Frequency	DC to 65 GHz				
CC Gender	Male				
CC & Body Plating	Gold				
Durability	100 Cycles				
Tin Dip	Available				
Tape & Reel	Available				
Interface	Full Detent				

SMP3-T Electrical Specifications

Operating Frequency
Straight Cable Mount - DC to 65 GHz
R/ A Cable Mount - DC to 40 GHz
Straight PCB Mount - DC to 65 GHz
R/ A PCB Mount - DC to 40 GHz
Impedance
Straight and Right Angle - 50 Ω
Insertion Loss
.05 +.04√f in GHz (non hermetic connectors)
VSWR (Voltage Standing Wave Ratio)
1.35:1 Max. thru 26.5 GHz; 1.4 Max. thru 65 GHz
RF Leakage
-80 db to 3 GHz, -65 db to 65 GHz
Insulation Resistance
3,500 megohms
DWV (@ sea level)
250 Vrms

SMP3-T Environmental Specifications

Temperature Range
-65 C to + 165 C
Mechanical Shock
Meets Mil-STD-202, Method 213, Condition 1, 12000 g peak
Random Vibration
Meets Mil-STD-202, Method 214, Condition K-I, 46.3 g
Sine Vibration
MIL-STD-202, method 204, 28 g peak
Altitude
Meets Mil-STD-202, Method 105, Condition C
Thermal Shock
Meets Mil-STD-202, Method 107, Condition B
Moisture Resistance
MIL-STD-202, Method 106

SMP3-T Mechanical Specifications

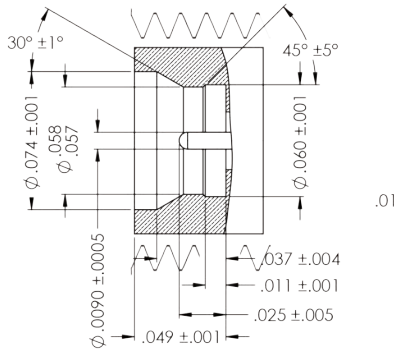
Force to Engage
Smooth Bore • 1.0 lbs typ
Full Detent - 2.5 lbs typ
Force to Disengage
Smooth Bore 1.0 lbs typ
Full Detent • 4.0 lbs typ
Durability
Smooth Bore • 500 cycles
Full Detent - 100 cycles
Contact Retention
1.5 lbs Min
Recommended Coupling Nut Torque
24 to 28 in. oz.

SMP3-T Materials & Plating Specifications

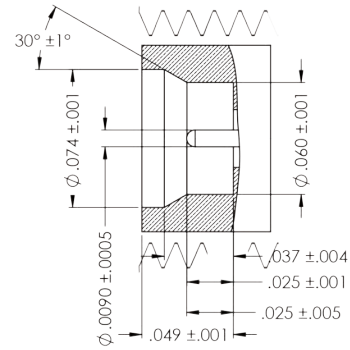
Materials
Bodies • Beryllium Copper per ASTM B196 or Stainless Steel, type 303, Condition A
Outer Contacts • Beryllium Copper per ASTM B196
Center Contacts • Beryllium Copper per ASTM B196
Insulators • PTFE Fluorocarbon per ASTM D1710, type 1, grade 1; Torlon per ASTM D-5204 or Ultem per ASTM D-5205
Plating
Bodies • Gold Plate per ASTM B488, over Nickel Plate per SAE AMS-QQ-N-290 or Passivated per SAE AMS 2700
Outer Contacts • Gold Plate per ASTM B488, over Nickel Plate per SAE AMS-QQ-N-290
Center Contacts • Gold Plate per ASTM B488, Type II, over Nickel Plate per SAE AMS-QQ-N-290

SMP3-T Interface Dimensions

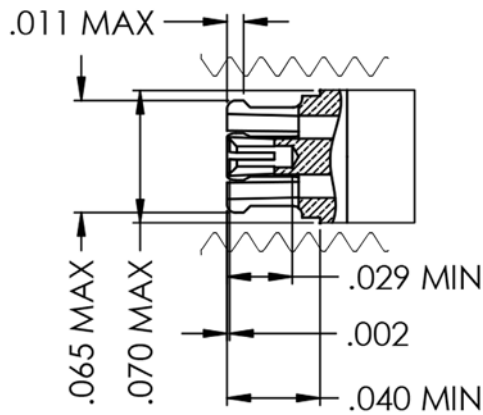
SMP3-T Male Full Detent Interfaces

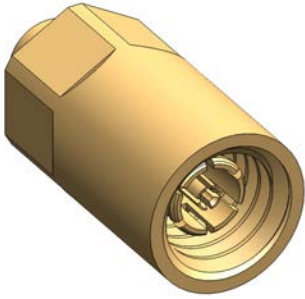


SMP3-T Male Smooth Bore Interfaces



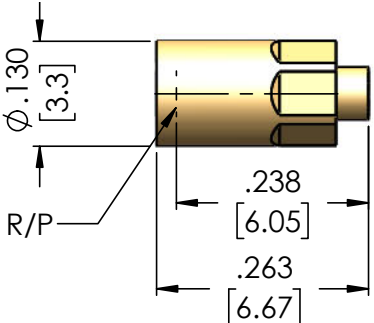
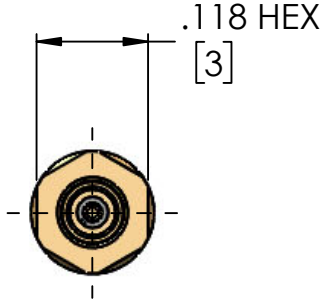
SMP3-T Male Full Detent Interfaces

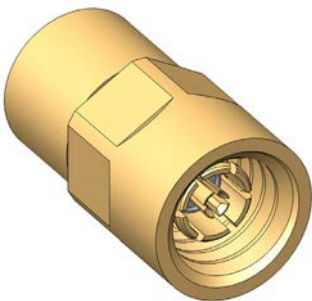




SMP3-T 9308111G00N-000

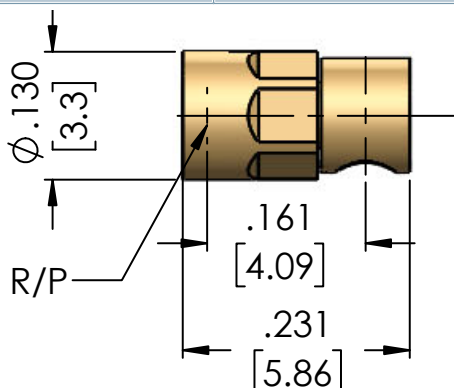
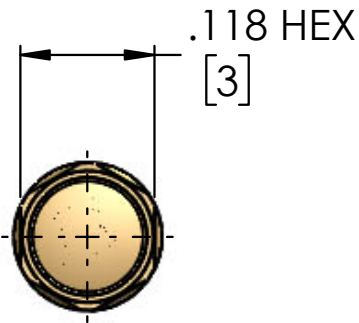
Straight Cable Mount Female, with Retractable Coupling Nut, for .047" Semi-Rigid Cable or Flexible Equivalents

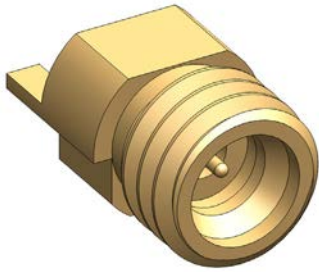
Part Number		Configuration	Cable	CC Termination	OC Termination
9308111G00N-000		Straight	.047" SR or Flex	One Step Solderless	Direct Solder
Product Features					
Frequency	DC to 65 GHz				
CC Gender	Female				
CC & Body Plating	Gold				
Durability	500 Cycles				
Torque	28-32 in. oz.				
Interface Seal	No				



SMP3-T 9376111G00N-000

Right Angle Cable Mount Female, with Integral Coupling Nut, for .047" Semi-Rigid Cable or Flexible Equivalents

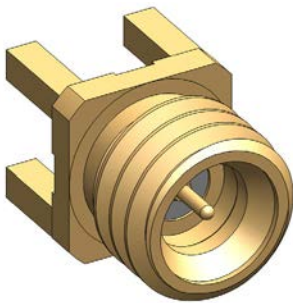
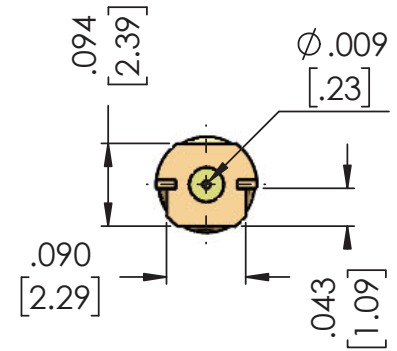
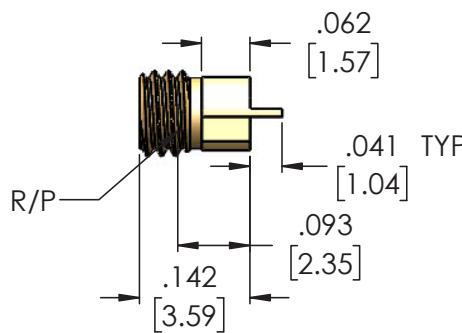
Part Number		Configuration	Cable	CC Termination	OC Termination
9376111G00N-000		Right Angle	.047" SR or Flex	Solder	Direct Solder
Product Features					
Frequency	DC to 40 GHz				
CC Gender	Female				
CC & Body Plating	Gold				
Durability	500 Cycles				
Torque	28-32 in. oz.				
Interface Seal	No				



SMP3-T 9367000G91N-000

PCB Mount Receptacle, Male,
 Full Detent, Edge Launch, Surface Mount
 Center Contact and Ground Legs

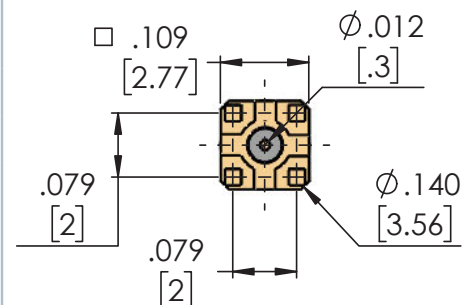
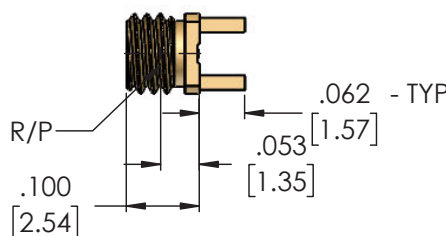
Part Number		Configuration	PCB Mount	CC Termination	OC Termination
9367000G91N-000		Straight	Edge Launch	Surface Mount	Surface Mount
Product Features					
Frequency	DC to 65 GHz				
CC Gender	Male				
CC & Body Plating	Gold				
Durability	100 Cycles				
Tin Dip	Available				
Tape & Reel	Available				
Interface	Full Detent				



SMP3-T 9368000G00N-000

PCB Mount Receptacle Male,
 Full Detent, Vertical Launch,
 Surface Mount Center Contact,
 Thru Hole Ground Legs

Part Number		Configuration	PCB Mount	CC Termination	OC Termination
9368000G00N-000		Straight	Vertical Launch	Surface Mount	Thru Hole
Product Features					
Frequency	DC to 65 GHz				
CC Gender	Female				
CC & Body Plating	Gold				
Durability	100 Cycles				
Tin Dip	Available				
Tape & Reel	Available				
Interface	Full Detent				



SMP(X)-T Cable Options

Cable Options

Mechanical	.040"	.047"	.085"
Center Conductor	.008"	.011"	.020"
Dielectric	.026"	.036"	.064"
Braid	.040"	.047"	.085"
Outer Jacket	.060"	.059"	.104"
Static Bend Radius	5mm	5mm	6.35mm
Dynamic Bend Radius	10mm	10mm	12.7mm

Materials	.040"	.047"	.085"
Center Conductor	Silver Plated Copper	Silver Plated Copper	Silver Plated Copper
Dielectric	PTFE	PFA	PTFE
Inner Shield	Flat SPC	Flat SPC	Flat SPC
Outer Shield	Silver Plated Copper	Silver Plated Copper	Silver Plated Copper
Outer Jacket	FEP	FEP	FEP

Electrical	.040"	.047"	.085"
Operating Frequency	110 GHz	50 GHz	40 GHz
Impedance	50 Ω	50 Ω	50 Ω
VoP (%)	71.00%	70.00%	70.00%
Shielding Effectiveness	> 90 dB	> 90 dB	> 90 dB
Attenuation dB/ft			
1.0 GHz	0.60	0.35	0.21
2.0 GHz	0.86	0.53	0.31
8.0 GHz	1.74	1.15	0.66
12 GHz	2.14	1.44	0.83
18 GHz	2.64	1.85	1.06
26 GHz	3.18	2.22	1.34
40 GHz	3.96	2.83	1.73
50 GHz	4.44	3.20	
60 GHz	4.88		

**All specifications for reference only*

Environmental			
Operating Temp Range	-65° C to +150° C	-65° C to +150° C	-55° C to +125° C

Build Your Own SMP-T/SMPM-T/SMP3-T Cable Assembly

Choose Your Configuration

Enter Desired Assembly
CONFIG #
Below

Config #: _____

Select Connector A

Connector A: _____

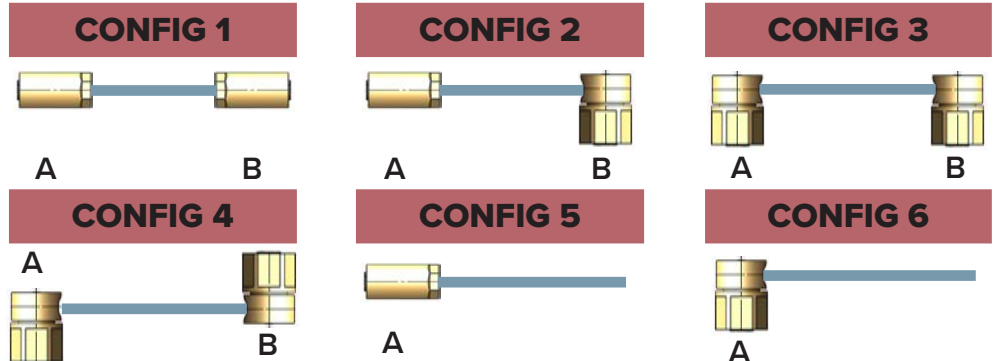
Select Connector B

Connector B: _____

Select Cable Diameter & Circle Semi-Rigid or Flexible

Semi or Flex

Define Length of assembly in inches from the end of connectors on straight & centerline for right angles



CONNECTOR OPTIONS



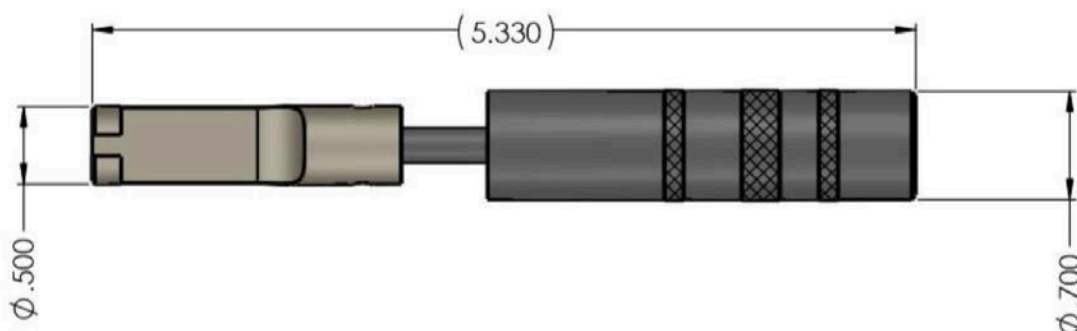
CABLE DIAMETERS & OPTIONS

SEMI RIGID OR FLEX	SEMI RIGID OR FLEX	SEMI RIGID OR FLEX
.040"	.047"	.085"

CABLE ASSEMBLY LENGTH STARTING AT .750" ON UP

Electrical	
Provide Maximum Operating Frequency	
Provide Target Return Loss or VSWR at Max. Frequency	
Provide Target Insertion Loss at Max. Frequency	

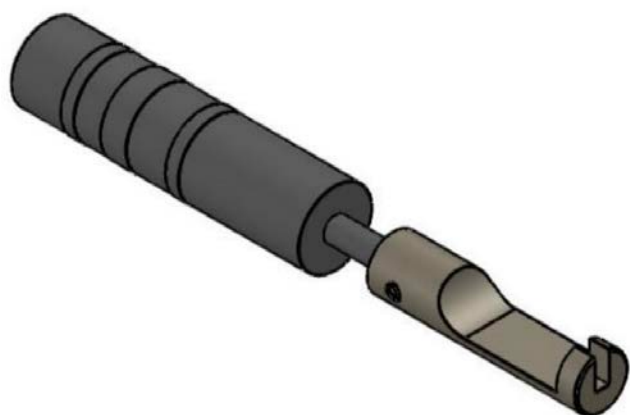
Labels & Identification Circle Your Choices		
Connector A Shrink Tubing	Yes - .500"	No Tubing
Add Marking:		
Connector B Shrink Tubing	Yes - .500"	No Tubing
Add Marking:		
Center Label, .750"	Yes - .750"	No Tubing
Add Marking:		



SMP-T

T33-88000-00
SMP-T Torque Wrench
Torque Type: Fixed

Hex Size: .187 Hex
Torque Setting: 28 to 32 in. oz.



SMPM-T

T33-88000-01
SMPM-T Torque Wrench
Torque Type: Fixed

Hex Size: .138 Hex
Torque Setting: 28 to 32 in. oz.

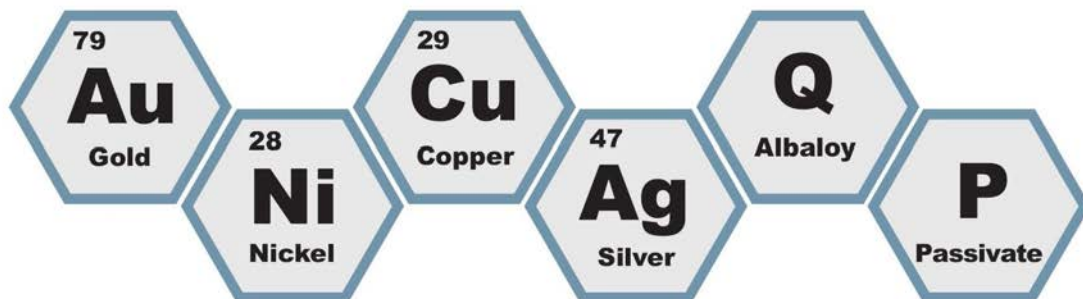
SMP3-T

T33-88000-03
SMP3-T Torque Wrench
Torque Type: Fixed

Hex Size: .118 Hex
Torque Setting: 24 to 28 in. oz.

Delta Vertical Integration In-house Automated Precious Metal Plating

Connectors are only as good as their plating, and that's why we decided this important process needed to be on-site. Having our own plating line, yields high quality, low costs, and reduced lead times. Call Delta for your electroplating needs. We also encourage current and potential customers to tour our facility.



Automated Tin/Lead Dipping For SMP-T, SMPM-T & SMP3-T

Our customized automated tin / lead dipping equipment enables high volume processing of our SMP-T, SMPM-T and SMP3-T PCB mount configurations.

The finished connector is of high quality, with a consistent tin/lead flowed finish. Experience the Delta Difference!



DELTA
Electronics Mfg. Corp.

THREADED RF SMP-T / SMPM-T / SMP3-T



**Download
Catalog**



sales@deltarf.com (978) 927-1060 deltarf.com
416 Cabot Street, Beverly, MA 01915