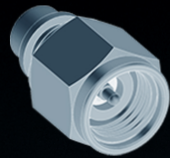




DELTA
Electronics Mfg. Corp.



SMK 2.92mm
High Performance
40 GHz



General Description

These high-performance SMK (2.92 mm) connectors feature maximum VSWR for cable connectors of 1.15:1 from DC to 18 GHz, and 1.3:1 from 18 to 40 GHz. The maximum VSWR for receptacles and adapters is 1.15:1 from DC to 18 GHz, and 1.25:1 from 18 to 40 GHz.

Their interface is similar to that of SMA connectors, but utilizes an air dielectric and a Noryl support bead for higher cutoff frequency than SMA connectors. The internal design is optimized using state-of-the-art Electromagnetic Finite Element Analysis model simulation to provide low reflection coefficient, with mode free operation to 40 GHz.

The use of an air dielectric also allows for a smaller internal body diameter than SMA connectors. This “thick wall” design increases outer-conductor contact area at the interface for more reliable electrical performance and higher mechanical strength than SMA connectors.

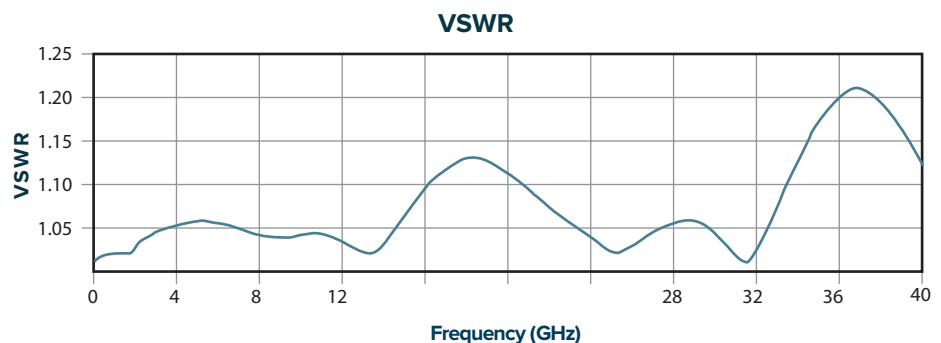
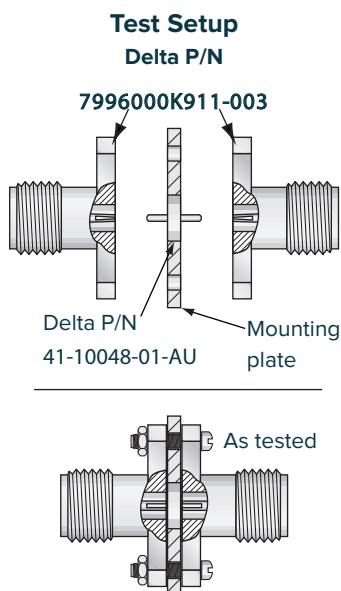
SMK field replaceable receptacles are available in three mounting flange configurations. Both the field replaceable and thread-in (spark plug) connectors are available for use with hermetic seals or accessory pins with diameters of .009, .012, .015, and .020 inches. The standard hermetic seals and accessory pins on page 10 can be modified to a wide range of configurations to match your application requirements.

These connectors are machined to exacting tolerances and the highest quality standards on modern CNC turning centers, and assembly is tightly controlled and monitored to ensure peak consistency of performance from unit to unit.

Contents (Click on any line to go to the indicated page)

Interface Dimensions and Specifications	3	Adapters Within Series.....	9
Cable Plugs and Jacks.....	4	Hermetic Seals.....	10
Cable Jacks—Bulkhead and Panel Mounted.....	5	Accessory pins	10
Field Replaceable Panel Jack Receptacles— Square and Two-Hole Flange.....	6	Drilling Dimensions for Hermetic Seals	11
Field Replaceable Panel Plug Receptacles— Square and Two-Hole Flange.....	7	Cable Assembly Instructions	12
Thread-in (“Spark Plug”) Receptacles— Field Replaceable.....	8	Index by Part Number	13
Panel Mount Receptacles— Slotted and Post Contact.....	8	Competitive Cross-Reference	13
		Special / Custom Connectors	14
		About Delta.....	15

Test Data

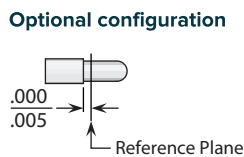
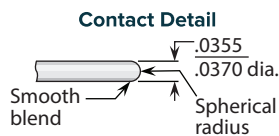
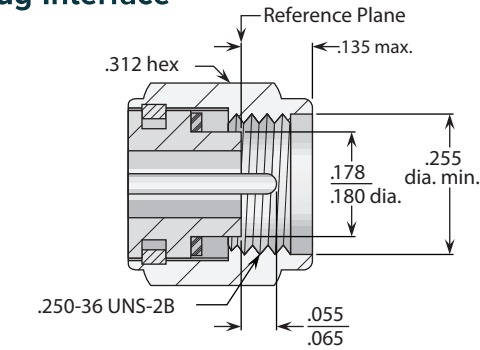


Two connectors tested, mounted back-to-back with a hermetic seal as shown at left. Maximum VSWR 1.22:1 @ 36.9 GHz (1.10:1 for each connector.)

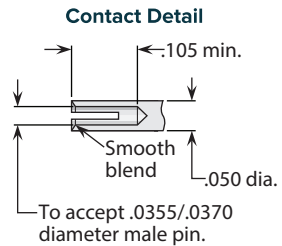
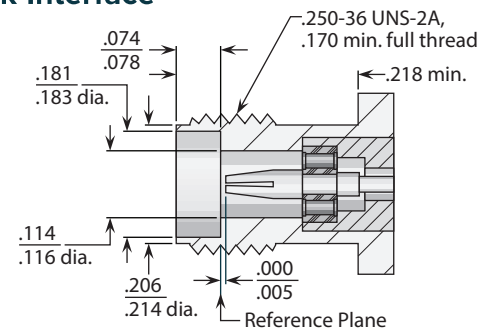
These results are typical and valid only for connectors set up for testing in the configuration shown. Hermetic seal attachment method and other circuitry characteristics will affect VSWR of the completed component.

SMK Interfaces

Plug Interface**



Jack Interface**



** Per MIL-STD-348, figures 323-1 and 323-2. Some proportions altered to illustrate detail.

SMK Specifications*

Electrical:

Nominal Impedance: 50 ohms.

Frequency Range: DC-40 GHz.

Voltage Rating:

(Cable connectors, receptacles):

335 Volts RMS @ sea level; 85 Volts RMS @ 70,000 feet.

(Adapters):

500 Volts RMS @ sea level; 125 Volts RMS @ 70,000 feet.

VSWR

(Cable connectors):

DC-18 GHz: 1.15:1 maximum; 18-40 GHz: 1.3:1 maximum.

(Receptacles, adapters):

DC-18 GHz: 1.15:1 maximum; 18-40 GHz: 1.25:1 maximum.

RF Transmission Loss: $.03 \times \sqrt{f}$ (GHz) dB.

Dielectric Withstanding Voltage:

(Cable connectors, receptacles): 1,000 Volts RMS @ sea level.

(Adapters): 1,500 Volts RMS @ sea level.

RF Hipot: 670 Volts RMS @ 5 MHz.

Insulation Resistance: 5,000 megohms minimum.

RF Leakage: -100 dB minimum @ 2.5 GHz.

Contact Resistance: Center contact: 3.0 milliohms maximum;
Outer contact: 2.0 milliohms maximum.

All other specifications are in accordance with the latest issues of MIL-PRF-39012, or MIL-PRF-55339, or other applicable MIL specifications, and interfaces are in accordance with MIL-STD-348.

*These specifications are typical and may not apply to all connectors. Detailed specifications for individual connectors are available on request.

Mechanical:

Force to Engage: 2 inch-pounds maximum.

Coupling Nut Retention: 60 pounds minimum (plugs only).

Coupling Proof Torque: 15 inch-pounds minimum (plugs only).

Contact Insertion Force: Insertion: 2 pounds maximum;

Withdrawal: 1 ounce minimum.

Durability: 500 mating cycles minimum.

Mating Torque: 7-10 inch-pounds.

Materials/Finishes:

Insulators:

(Bead):

Noryl EN265, polyphenylene oxide (PPO) per ASTM D4349.

(Concentricity bead):

Kel-F (CTFE), extruded rod per AMS 3650.

Contacts: Beryllium copper (Alloy C17300) per ASTM B196.

Contact Plating: Gold per ASTM B488.

Other Metal Parts: Type 303 Stainless steel per ASTM A582,

plated gold per MIL-G-45204 or passivated per AMS-QQ-P-35.

Gaskets: Silicone rubber per A-A-59588.

Environmental:

Operating Temperature: -55 to +135° C.

Vibration: Per MIL-STD-202, Method 204, condition D.

Shock: Per MIL-STD-202, Method 213, condition I.

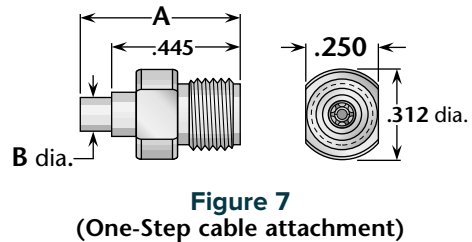
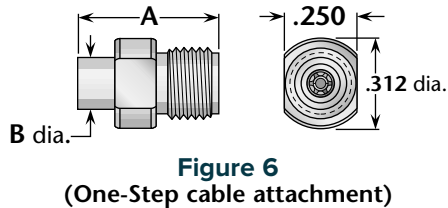
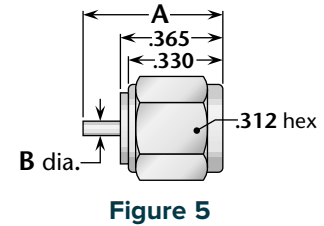
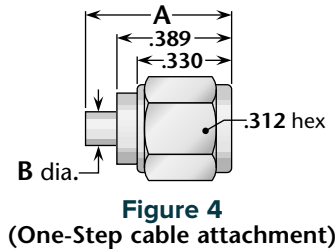
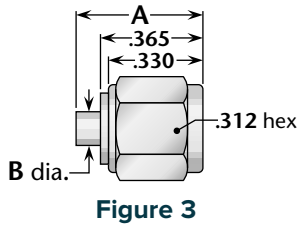
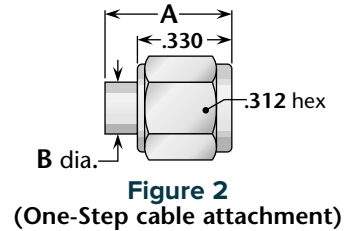
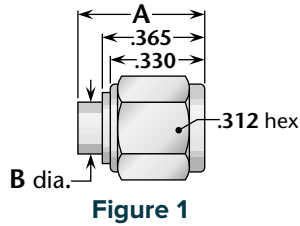
Thermal Shock: Per MIL-STD-202, Method 107, condition A.

Corrosion (Salt Atmosphere):

Per MIL-STD-202, Method 101, test condition B.

Moisture Resistance: Per MIL-STD-202, Method 106.

Cable Plugs & Jacks - Direct Solder For Semi-Rigid Cable



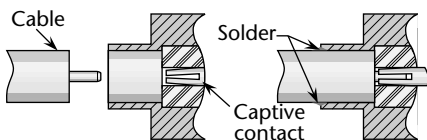
Straight Plugs

Cable Group	Figure	Dimensions		Plating		Delta P/N	Assembly Procedure/ Trim Code
		A	B	Body	Contact		
13	1	.435	.180	Passivated ⁽¹⁾	Gold	7901031K003-000	H/01
13	2	.440	.180	Passivated ⁽¹⁾	Gold (C)	7901031K007-000	I/01
14	3	.435	.120	Passivated ⁽¹⁾	Gold	7901094K003-000	H/01
14	4	.508	.120	Passivated ⁽¹⁾	Gold (C)	7901094K007-001	I/02
32	5	.490	.088	Passivated ⁽¹⁾	Gold	7901111K003-000	H/01

Straight Jacks

Cable Group	Figure	Dimensions		Plating		Delta P/N	Assembly Procedure/ Trim Code
		A	B	Body	Contact		
13	6	.490	.180	Passivated ⁽¹⁾	Gold (C)	7908031K007-000	I/01
14	7	.555	.120	Passivated ⁽¹⁾	Gold (C)	7908094K007-000	I/02

⁽¹⁾ Solder area of body is gold plated; other body parts passivated.



Delta One-Step Cable Attachment for Semi-Rigid Cable

Delta "One-Step" connectors feature captivated contacts and insulators to allow rapid, easy assembly to semi-rigid cable—simply trim the cable jacket and dielectric flush, chamfer the center conductor, insert into the connector, and solder the jacket to the connector body.

Cable Groups

13: .141" semi-rigid; RG-402; M17/130

14: .085" semi-rigid; RG-405; M17/133

32: .047" semi-rigid; M17/151

(C) in contact plating column indicates captive contact. • See page 12 for assembly instructions.

Cable Jacks - Direct Solder For Semi-Rigid Cable

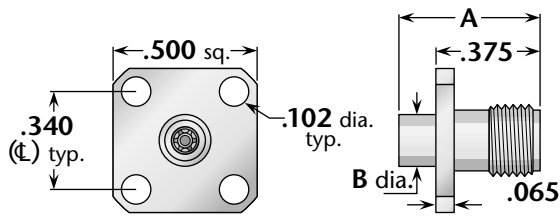


Figure 1 (One-Step cable attachment)

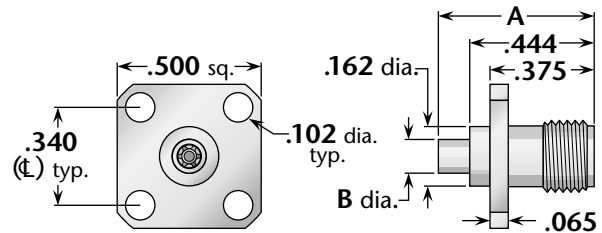


Figure 2 (One-Step cable attachment)

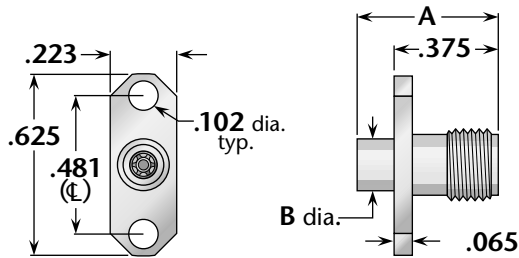


Figure 3 (One-Step cable attachment)

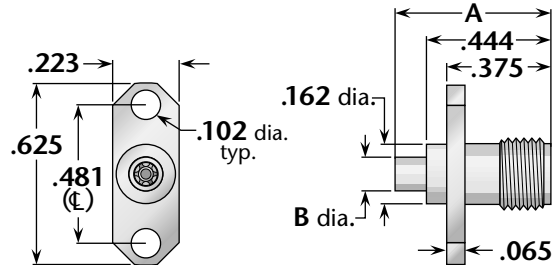


Figure 4 (One-Step cable attachment)

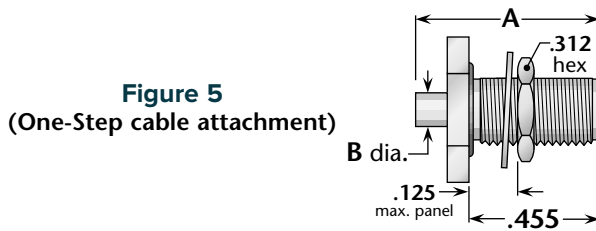
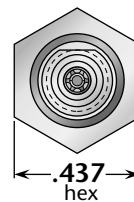
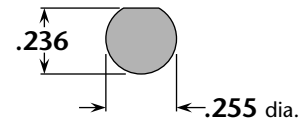


Figure 5
(One-Step cable attachment)



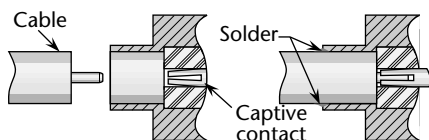
Mounting Hole Dimensions



Panel Jacks							
Cable Group	Figure	Dimensions		Plating		Delta P/N	Assembly Procedure/ Trim Code
		A	B	Body	Contact		
13	1	.490	.180	Passivated ⁽¹⁾	Gold (C)	7911031K057-000	I/01
14	2	.550	.120	Passivated ⁽¹⁾	Gold (C)	7911094K057-000	I/02
13	3	.490	.180	Passivated ⁽¹⁾	Gold (C)	7911031K927-000	I/01
14	4	.550	.120	Passivated ⁽¹⁾	Gold (C)	7911094K927-000	I/02

Bulkhead Jacks							
Cable Group	Figure	Dimensions		Plating		Delta P/N	Assembly Procedure/ Trim Code
		A	B	Body	Contact		
13	5	.640	.180	Passivated ⁽¹⁾	Gold (C)	7917031K677-000	I/01
14	5	.640	.120	Passivated ⁽¹⁾	Gold (C)	7917094K677-000	I/02

⁽¹⁾ Solder area of body is gold plated; other body parts passivated.



Delta One-Step Cable Attachment for Semi-Rigid Cable

Delta "One-Step" connectors feature captivated contacts and insulators to allow rapid, easy assembly to semi-rigid cable—simply trim the cable jacket and dielectric flush, chamfer the center conductor, insert into the connector, and solder the jacket to the connector body.

Cable Groups

13: .141" semi-rigid; RG-402; M17/130

14: .085" semi-rigid; RG-405; M17/133

(C) in contact plating column indicates captive contact. • See page 12 for assembly instructions.

Panel Jack Receptacles - Field Replaceable, Square and 2-Hole Flange

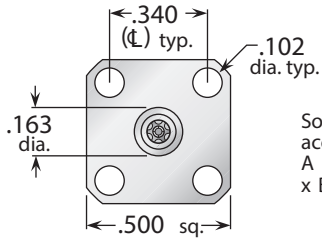


Figure 1
(1/2" square flange)

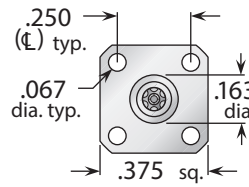


Figure 2
(3/8" square flange)

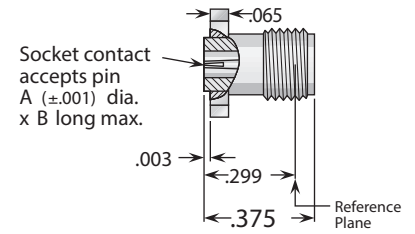
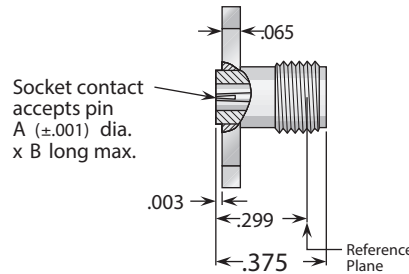
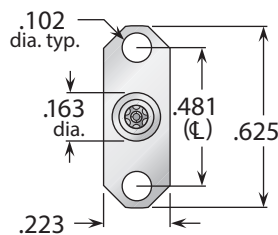
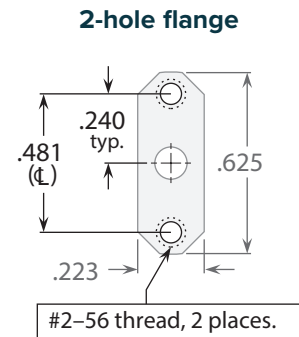
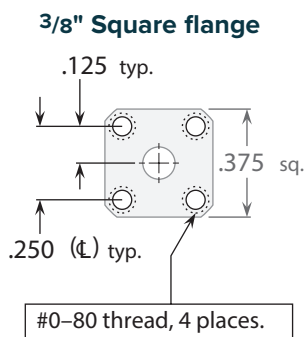
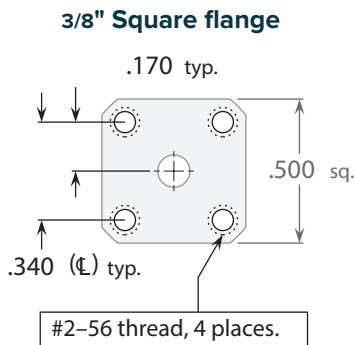


Figure 3
(2-hole flange)



Flange Figure	Dimensions		Plating		Delta P/N
	A (Pin Diameter)	B (Pin Length)	Body	Contact	
1	.009	.065	Passivated	Gold (C)	7996000K051-001
	.012	.085	Passivated	Gold (C)	7996000K051-002
	.015	.085	Passivated	Gold (C)	7996000K051-004
	.020	.090	Passivated	Gold (C)	7996000K051-003
2	.009	.065	Passivated	Gold (C)	7996000K911-001
	.012	.085	Passivated	Gold (C)	7996000K911-002
	.015	.085	Passivated	Gold (C)	7996000K911-010
	.020	.090	Passivated	Gold (C)	7996000K911-003
3	.009	.065	Passivated	Gold (C)	7996000K921-001
	.012	.085	Passivated	Gold (C)	7996000K921-002
	.015	.085	Passivated	Gold (C)	7996000K921-004
	.020	.090	Passivated	Gold (C)	7996000K921-003

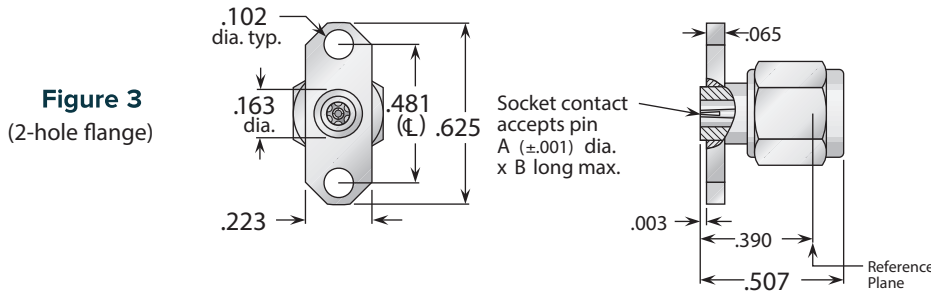
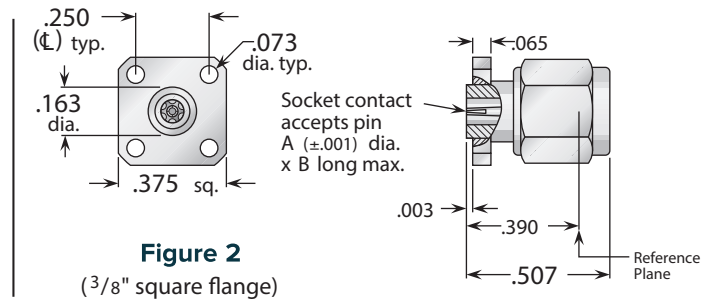
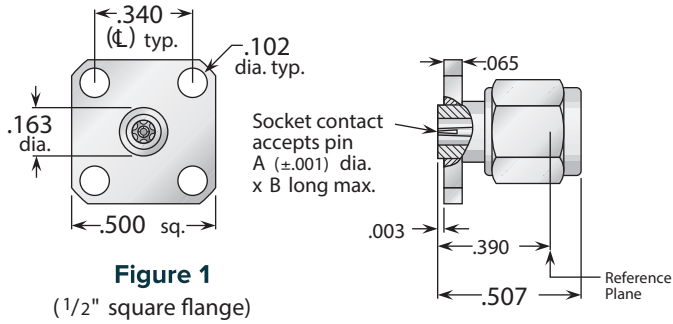
Drilling Patterns - Panel-Mount Field Replaceable Jacks



Fillister-head screws are recommended for connector body clearance when mounting.
See page 11 for center hole drilling dimensions.

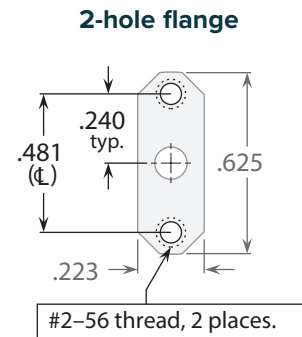
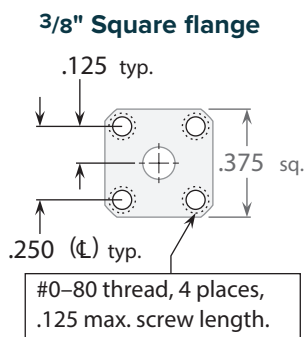
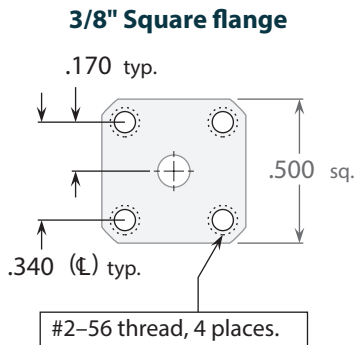
See page 10 for hermetic seals and accessory pins. • (C) indicates captive contact.

Panel Plug Receptacles - Field Replaceable, Square and 2-Hole Flange



Flange Figure	Dimensions		Plating		Delta P/N
	A (Pin Diameter)	B (Pin Length)	Body	Contact	
1	.009	.065	Passivated	Gold (C)	7997000K051-001
	.012	.085	Passivated	Gold (C)	7997000K051-002
	.015	.085	Passivated	Gold (C)	7997000K051-004
	.020	.090	Passivated	Gold (C)	7997000K051-003
2	.009	.065	Passivated	Gold (C)	7997000K911-001
	.012	.085	Passivated	Gold (C)	7997000K911-002
	.015	.085	Passivated	Gold (C)	7997000K911-012
	.020	.090	Passivated	Gold (C)	7997000K911-003
3	.009	.065	Passivated	Gold (C)	7997000K921-001
	.012	.085	Passivated	Gold (C)	7997000K921-002
	.015	.085	Passivated	Gold (C)	7997000K921-004
	.020	.090	Passivated	Gold (C)	7997000K921-003

Drilling Patterns - Panel-Mount Field Replaceable Plugs



Fillister-head screws are recommended for connector body clearance when mounting.
See page 11 for center hole drilling dimensions.

See page 10 for hermetic seals and accessory pins. • (C) indicates captive contact.

Panel Receptacles - Slot and Post Contact

Jack Receptacle—Slotted Contact

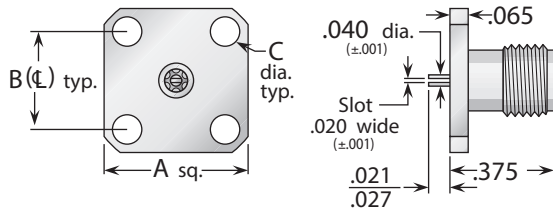


Figure 1

Plug Receptacle—Slotted contact

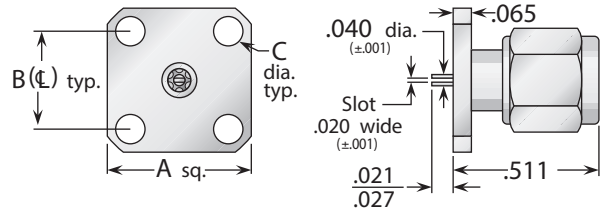


Figure 2

Jack Receptacle—Post Contact

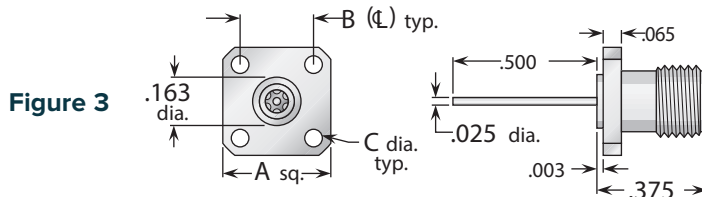


Figure 3

Figure	Dimensions			Plating		Delta P/N
	A	B	C	Body	Contact	
1	.500	.340	.012	Passivated	Gold (C)	7943000K051-000
2	.500	.340	.012	Passivated	Gold (C)	7959000K051-000
3	.375	.250	.067	Passivated	Gold (C)	7958000K911-000

(C) indicates captive contact. These items are available with other flange sizes and contact configurations.

Thread-in Receptacles - Field Replaceable, Jack and Plugs

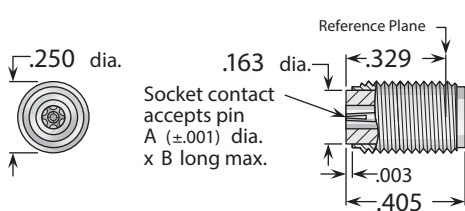


Figure 1

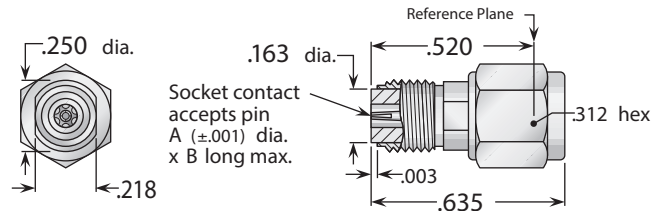


Figure 2

Figure	Dimensions		Plating		Delta P/N
	A (Pin Diameter)	B (Pin Length)	Body	Contact	
1	.009	.065	Passivated	Gold (C)	7921000K821-005
	.012	.085	Passivated	Gold (C)	7921000K821-001
	.015	.085	Passivated	Gold (C)	7921000K821-004
	.020	.090	Passivated	Gold (C)	7921000K821-002
2	.009	.065	Passivated	Gold (C)	7924000K001-003
	.012	.085	Passivated	Gold (C)	7924000K001-001
	.015	.085	Passivated	Gold (C)	7924000K001-004
	.020	.090	Passivated	Gold (C)	7924000K001-002

See page 10 for hermetic seals and accessory pins. • See page 11 for mounting hole drilling.
(C) indicates captive contact.

Adapters Within Series

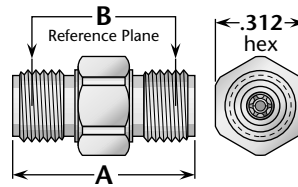


Figure 1

(Straight jack-jack; connects two plugs)

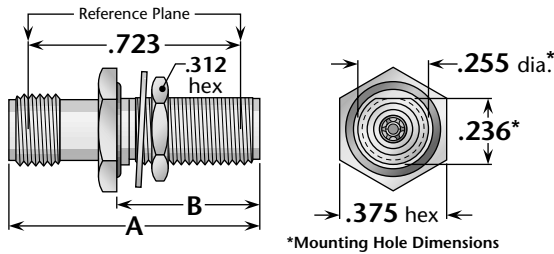


Figure 2

(Bulkhead jack-jack; connects two plugs)
Fits panel .187" thick maximum

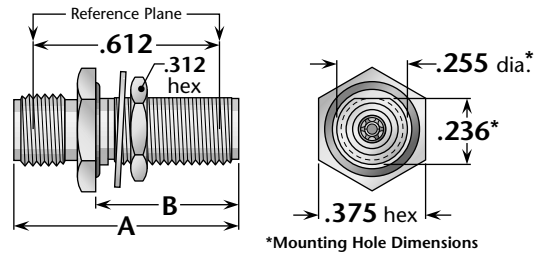


Figure 3

(Bulkhead jack-jack; connects two plugs)
Fits panel .160" thick maximum

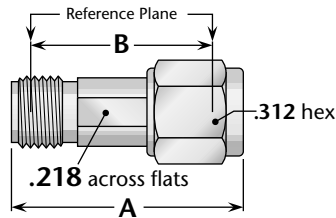


Figure 4

(Straight jack-plug; connects one plug and one jack)

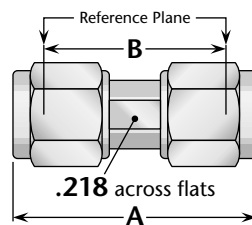


Figure 5

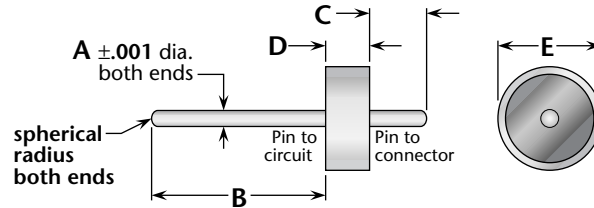
(Straight plug-plug; connects two jacks)

Figure	Dimensions		Plating		Delta P/N
	A	B	Body	Contact	
1	.590	.438	Passivated	Gold (C)	7928000K001-000
1	.764	.612	Passivated	Gold (C)	7928000K001-001
2	.875	.500	Passivated	Gold (C)	7926000K671-000
3	.764	.480	Passivated	Gold (C)	7926000K671-001
4	.805	.612	Passivated	Gold (C)	7934000K001-001
5	.846	.612	Passivated	Gold (C)	7927000K001-001

(C) indicates captive contact.

Hermetic Seals

These drawings are 200% scale compared with connector drawings for clarity.
 Hermetic seals are available with other pin lengths to suit your specific requirement.



Ring and pin material: Kovar, gold plated per MIL-G-45204 Type II, Grade C, Class 1.
Leak rate: >1 x 10⁻⁸ cc/sec @at 14.7 PSIG differential, using 100% helium. **Impedance:** 50 ±2 Ω.

Dimensions					Glass Type	Frequency Range	Delta P/N
A	B	C	D	E			
.009	.026	.031	.055	.068	7070	DC-65.0 GHz	41-10050-01-AU
.009	.120	.031	.055	.068	7070	DC-65.0 GHz	41-10051-01-AU
.012	.180	.073	.069	.076	7070	DC-42.0 GHz	41-10044-01-AU
.012	.080	.040	.055	.076	7070	DC-42.0 GHz	41-10045-01-AU
.012	.029	.040	.055	.076	7070	DC-42.0 GHz	41-10049-01-AU
.015	.125	.050	.062	.098	7070	DC-28.0 GHz	41-10046-01-AU
.018	.180	.072	.060	.110	7070	DC-18.0 GHz	41-10047-01-AU
.020	.125	.050	.060	.158	7052	DC-8.0 GHz	41-10048-01-AU

See page 11 for mounting hole dimensions.

Accessory Pins

These drawings are 200% scale compared with connector drawings for clarity.
 Pins are available with other tab sizes and configurations to suit your specific requirement.

Figure 1

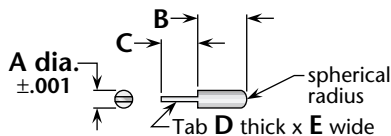
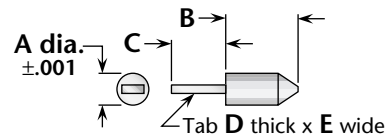


Figure 2



Material: Beryllium copper, Alloy C17300, condition H, per ASTM B196
Finish: Gold plated per MIL-G-45204 Type II, Class 1, Grade C, over nickel plate per AMS-QQ-N-290, Class 1, Grade G.

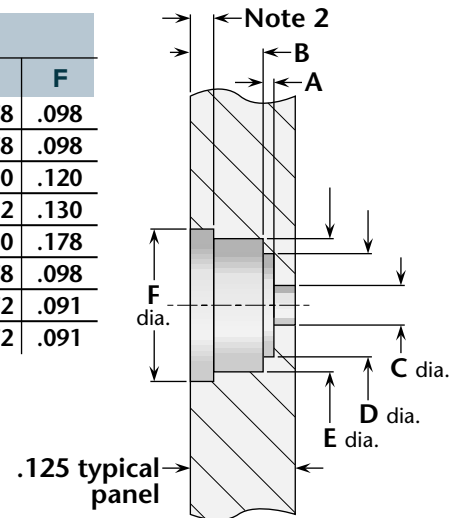
Figure	Dimensions					Delta P/N
	A	B	C	D	E	
1	.009	.050	.015	.005	.009	81-10293-01-AU
1	.012	.050	.025	.005	.012	33-10432-01-AU
1	.015	.085	.040	.005	.015	33-10416-01-AU
1	.018	.085	.045	.005	.018	81-10294-01-AU
1	.020	.080	.050	.006	.020	81-10260-01-AU
2	.036	.075	.050	.005	.020	81-10275-01-AU

Drilling For Hermetic Seals - Panel Mount Receptacles

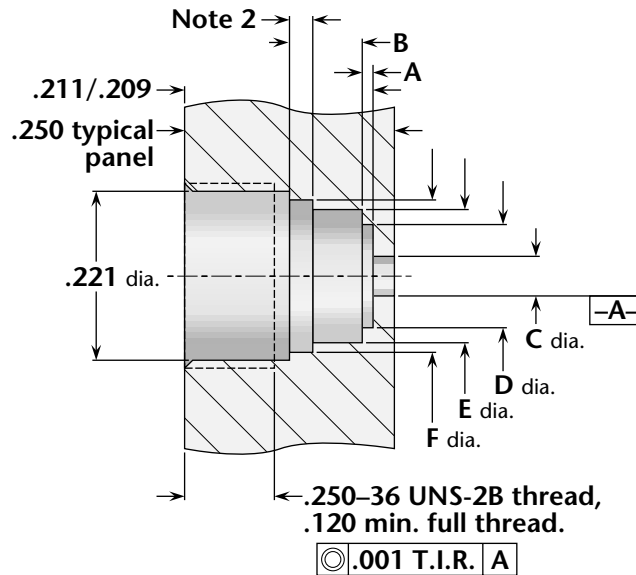
Hermetic Seal P/N	Pin Dia.	Dimensions					
		A	B	C	D	E	F
41-10044-01-AU	.012	.0035/.0025	.072/.071	.028/.027	.067/.065	.079/.078	.098
41-10045-01-AU	.012	.0035/.0025	.057/.056	.028/.027	.067/.065	.079/.078	.098
41-10046-01-AU	.015	.007/.005	.0645/.0635	.035/.034	.080/.078	.102/.100	.120
41-10047-01-AU	.018	.009/.007	.062/.061	.042/.041	.086/.084	.113/.112	.130
41-10048-01-AU	.020	.010/.009	.062/.061	.0465/.0455	.126/.124	.161/.160	.178
41-10049-01-AU	.012	.0035/.0025	.057/.056	.028/.027	.067/.065	.079/.078	.098
41-10050-01-AU	.009	.008/.006	.058/.057	.0211/.0205	.0322/.0302	.074/.072	.091
41-10051-01-AU	.009	.008/.006	.058/.057	.0211/.0205	.0322/.0302	.074/.072	.091

Note 1: Surface treatment (plating) must be compatible with soldering process.

Note 2: User-determined. Recommended F diameter x .025 deep to accommodate 3 solder rings, .010 diameter each.



Drilling For Hermetic Seals - Bulkhead Mount Receptacles



Hermetic Seal P/N	Pin Dia.	Dimensions					
		A	B	C	D	E	F
41-10044-01-AU	.012	.0035/.0025	.072/.071	.028/.027	.067/.065	.079/.078	.098
41-10045-01-AU	.012	.0035/.0025	.057/.056	.028/.027	.067/.065	.079/.078	.098
41-10046-01-AU	.015	.007/.005	.0645/.0635	.035/.034	.080/.078	.102/.100	.120
41-10047-01-AU	.018	.009/.007	.062/.061	.042/.041	.086/.084	.113/.112	.130
41-10048-01-AU	.020	.010/.009	.062/.061	.0465/.0455	.126/.124	.161/.160	.178
41-10049-01-AU	.012	.0035/.0025	.057/.056	.028/.027	.067/.065	.079/.078	.098
41-10050-01-AU	.009	.008/.006	.058/.057	.0211/.0205	.0322/.0302	.074/.072	.091
41-10051-01-AU	.009	.008/.006	.058/.057	.0211/.0205	.0322/.0302	.074/.072	.091

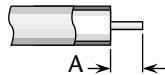
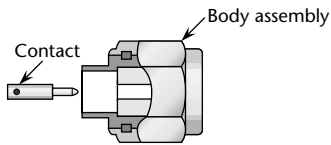
Note 1: Surface treatment (plating) must be compatible with soldering process.

Note 2: User-determined. Recommended F diameter x .025 deep to accommodate 3 solder rings, .010 diameter each.

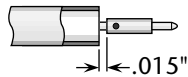
Assembly Procedure H

Trim Codes

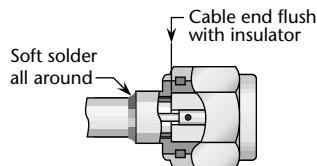
Code	A
H/01	.090



- 1)** Trim cable as shown. Remove any burrs from jacket and center conductor.



- 2)** Solder contact to center conductor, fixturing to maintain gap as shown. Remove any excess solder from outside of contact.



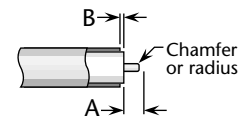
- 3)** Insert cable into body and solder cable jacket to body, keeping end of cable flush with insulator as shown.

Plug body assembly and contact shown; procedure is identical for jack connectors.

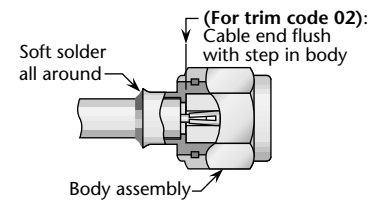
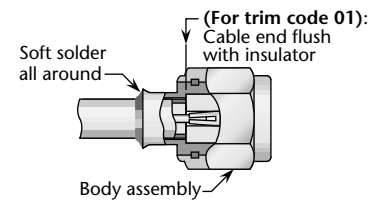
Assembly Procedure I

Trim Codes

Code	A	B
I/01	.090	.000
I/02	.090	.015



- 1)** Trim cable as shown. Remove any burrs from jacket and center conductor.



- 2)** Insert cable into body and solder cable jacket to body, keeping end of cable flush with insulator (or step inside body) as shown.

Plug body assembly and contact shown; procedure is identical for jack connectors.

Index by Delta Part Number (Click on any line to go to the indicated page.)

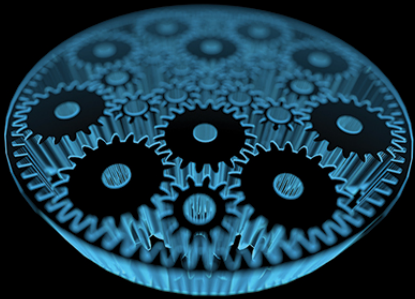
Delta P/N	Page	Delta P/N	Page	Delta P/N	Page
33-10416-01-AU	10	7917094K677-000	5	7996000K911-002	6
33-10432-01-AU	10	7921000K821-001	8	7996000K911-003	6
41-10044-01-AU	10	7921000K821-002	8	7996000K911-010	6
41-10045-01-AU	10	7921000K821-004	8	7996000K921-001	6
41-10046-01-AU	10	7921000K821-005	8	7996000K921-002	6
41-10047-01-AU	10	7924000K001-001	8	7996000K921-003	6
41-10048-01-AU	10	7924000K001-002	8	7996000K921-004	6
41-10049-01-AU	10	7924000K001-003	8	7997000K051-001	7
41-10050-01-AU	10	7924000K001-004	8	7997000K051-002	7
41-10051-01-AU	10	7926000K671-000	9	7997000K051-003	7
7901031K003-000	4	7926000K671-001	9	7997000K051-004	7
7901031K007-000	4	7927000K001-001	9	7997000K911-001	7
7901094K003-000	4	7928000K001-000	9	7997000K911-002	7
7901094K007-001	4	7928000K001-001	9	7997000K911-003	7
7901111K003-000	4	7934000K001-001	9	7997000K911-012	7
7908031K007-000	4	7943000K051-000	8	7997000K921-001	7
7908094K007-000	4	7958000K911-000	8	7997000K921-002	7
7911031K057-000	5	7959000K051-000	8	7997000K921-003	7
7911031K927-000	5	7996000K051-001	6	7997000K921-004	7
7911094K057-000	5	7996000K051-002	6	81-10260-01-AU	10
7911094K927-000	5	7996000K051-003	6	81-10275-01-AU	10
7917031K677-000	5	7996000K051-004	6	81-10293-01-AU	10
		7996000K911-001	6	81-10294-01-AU	10

Competitive Cross-Reference

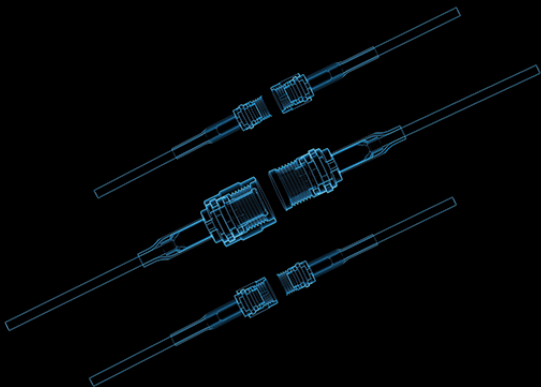
Anritsu P/N	Delta P/N	Dynawave P/N	Delta P/N	Southwest P/N	Delta P/N
K101M-085	7901094K003-000	9552-0085-6200	7996000K921-002	1011-01SF	7997000K051-002
K102F	7921000K821-001	9552-0085-6208	7996000K921-001	1011-05SF	7997000K051-003
K102M	7924000K001-001	9552-0085-6217	7996000K921-004	1011-11SF	7997000K911-002
K103F	7996000K921-002	9552-0085-6220	7996000K921-003	1011-15SF	7997000K911-003
K103M	7997000K921-002	9552-4741-6200	7911094K927-000	1012-01SF	7996000K051-002
K104F	7996000K051-002	9554-0085-6203	7996000K911-002	1012-05SF	7996000K051-003
K104M	7997000K051-002	9554-0085-6204	7996000K911-010	1012-11SF	7996000K911-002
		9554-0085-6212	7996000K051-002	1012-16SF	7996000K911-003
Astrolab P/N	Delta P/N	9554-0085-6215	7996000K051-004	1013-01SF	7997000K921-002
29963-1	7996000K051-002	9554-0085-6220	7996000K051-003	1013-05SF	7997000K921-003
29963-2	7996000K921-002			1014-01SF	7996000K921-002
29964	7921000K821-001			1014-05SF	7996000K921-003
Dynawave P/N	Delta P/N	E.F. Johnson P/N	Delta P/N	1020-01SF	7921000K821-001
1100-9494-6200	7927000K001-001	145-0693-002	7901094K003-000	1020-02SF	7921000K821-002
1100-9495-6200	7934000K001-001	145-0694-002	7901031K003-000	1021-01SF	7924000K001-001
1100-9595-6200	7928000K001-001	145-0701-002	7921000K821-001	1021-02SF	7924000K001-002
1110-9595-6200	7926000K671-001	145-0701-602	7996000K921-002	1030-00SF	7934000K001-001
9400-4725-6200	7901111K003-000	145-0701-612	7996000K051-002	1031-00SF	7927000K001-001
9400-8525-6200	7901094K003-000			1032-00SF	7928000K001-001
9430-0085-6200	7924000K001-001	M/A Com P/N	Delta P/N	1032-10SF	7926000K671-001
9430-0085-6208	7924000K001-003	4851-3575-02	7997000K921-002		
9452-0085-6209	7997000K921-001	4851-3576-02	7997000K051-002	SV Microwave P/N	Delta P/N
9452-0085-6212	7997000K921-002	4852-3575-02	7996000K921-002	SF1503-6103	7901094K003-000
9452-0085-6217	7997000K921-004	4852-3576-02	7996000K051-002	SF1550-6400	7996000K051-002
9452-0085-6220	7997000K921-003	4857-3577-02	7924000K001-001	SF1575-6007	7921000K821-001
9454-0085-6203	7997000K911-002	4858-3577-02	7921000K821-001	SF1590-6000	7928000K001-000
9454-0085-6204	7997000K911-012			SF1596-6000	7927000K001-001
9454-0085-6209	7997000K051-001	Rosenberger P/N	Delta P/N	SF1597-6003	7934000K001-001
9454-0085-6212	7997000K051-002	02K521-800S3	7921000K821-001		
9454-0085-6215	7997000K051-004	02S521-800S3	7924000K001-001		
9454-0085-6220	7997000K051-003				
9500-4725-6200	7908094K007-000	S.G. McGeary P/N	Delta P/N		
9510-8520-6200	7917094K677-000	200-34-10-410	7901031K003-000		
9530-0085-6200	7921000K821-001	200-34-10-850	7901094K003-000		
9530-0085-6208	7921000K821-005	310-34-12-000	7997000K921-002		
		310-35-12-000	7996000K921-002		
		311-34-12-000	7997000K051-002		
		311-35-12-000	7996000K051-002		
		350-35-12-000	7921000K821-001		



CREATE



COLLABORATE



CONNECT



Delta Electronics Mfg. Corp.

www.deltarf.com

978-927-1060

sales@deltarf.com

PO Box 53

416 Cabot St.

Beverly, MA 01915

