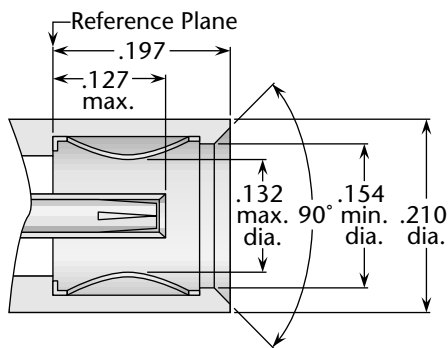


General Description

BMMA microminiature connectors combine a mechanically rugged design with excellent electrical performance at high frequency. They are ideal for use in blind-mate, rack-and-panel applications.

BMMA Interfaces & Specifications*

Jack Interface**



**Some proportions altered to illustrate detail. Dimensions in inches.

Electrical:

Nominal Impedance: 50 ohms.

Frequency Range: DC–28 GHz.

VSWR: 1.05: +.01f (GHz).

Attenuation: .040 $\times \sqrt{f}$ (GHz).

Dielectric Withstanding Voltage: 675 volts RMS.

Insulation Resistance: 5,000 megohms.

Contact Resistance: Center contact, 6.0 milliohms max;

Outer contact, 3.0 milliohms max; Outer contact to cable, .5 milliohms max.

RF Hipot: 675 volts RMS @ 5 MHz.

RF Leakage: $-(90-f)(\text{GHz})$ dB Min. (Interface only, fully mated.)

Mechanical:

Force to Engage: 48 ounces max.

Force to Disengage: 1.5 pounds max.

Durability: 5,000 mating cycles.

Materials / Finishes

Insulators: Teflon per ASTM D1710.

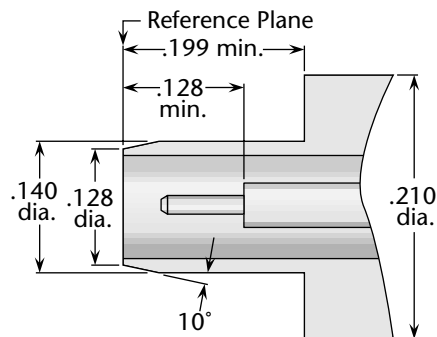
Contacts: Beryllium Copper per ASTM B196.

Contact Plating: Gold per MIL-G-45204.

O-Rings: Fluorosilicone rubber per AMS-R-25988, Type I, 70A.

Other Metal Parts: Stainless steel per ASTM A582, passivated.

Plug Interface**

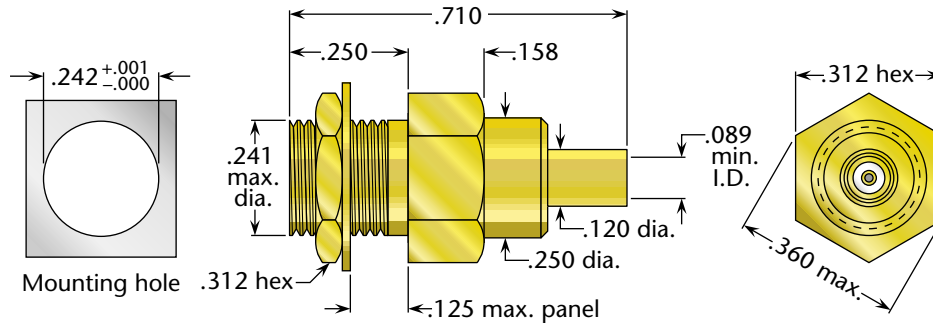


**Some proportions altered to illustrate detail. Dimensions in inches.

*These specifications are typical and may not apply to all connectors. Detailed specifications for individual connectors are available on request.

Bulkhead Jack - Direct Solder For Semi-Rigid Cable

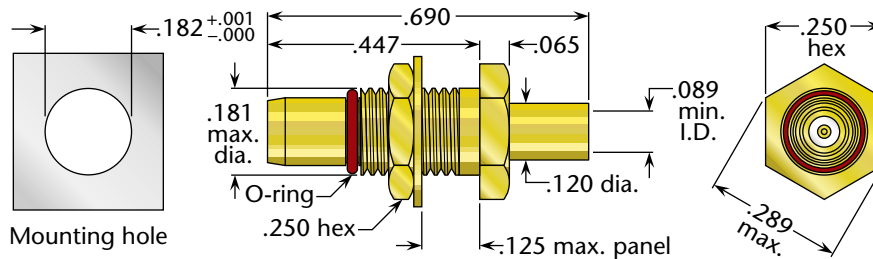
For .085" semi-rigid cable RG-405; M17/133



Delta P/N 4216025G911-000

Bulkhead Plug - Direct Solder For Semi-Rigid Cable

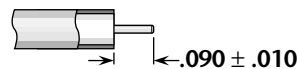
For .085" semi-rigid cable RG-405; M17/133



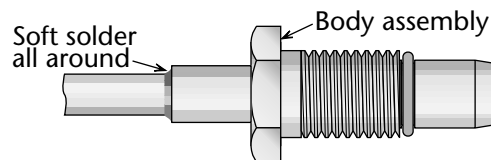
Delta P/N 4224025G911-000

Assembly Procedure

- 1) Trim cable as shown.
Chamfer or radius end of center conductor
Remove any burrs from jacket and center conductor.



- 2) Insert cable into body until end of cable jacket stops against internal shoulder.
Solder cable jacket to body.



Warranty

We warrant our parts to be free of defects and workmanship for one year from purchase. During that time we will repair or replace (at our option) any parts found to be defective. The warranty does not apply to parts that have been modified, used in conditions exceeding Seller's, or military specifications, or disassembled. We will not, under any circumstances, be responsible for consequential or incidental damages or installation costs. No other warranties apply, and no other liability may be assumed or extended by representatives or distributors. The terms of the applicable warranty or warranties, as the case may be, as set forth herein are the sole and exclusive warranty terms that shall have any force or effect in the any product order, resulting from the quotation and such terms and in lieu of all other warranties, expressed or implied, including the implied warranties of merchantability and fitness for a particular purpose, which are hereby expressly excluded.



Returns

Returns will be accepted only with a Return Authorization number issued by Delta, and are subject to inspection and acceptance upon arrival. Restocking charges will be determined prior to issuance of Return Authorization. All claims for shortages must be made within 30 days of receipt by customer.

Ordering Information

Orders are subject to the terms and conditions on our order acknowledgement, which may only be modified by written agreement prior to sale. Order changes, cancellation, or termination will be accepted only with written approval from Delta Electronics Manufacturing.

Copyright, Trademarks, & Patents

Entire contents copyright 2017, Delta Electronics Manufacturing Corporation. Reproduction rights are hereby granted for, and specifically limited to, printing or other reproduction of drawings and specifications for inclusion in specification or source control drawings, or purchasing procedures, by Delta customers only.

Heli-Grip[®], PressMount[®], and Global Manufacturer logo are trademarks. The Heli-Grip design is covered by U.S. and foreign patents

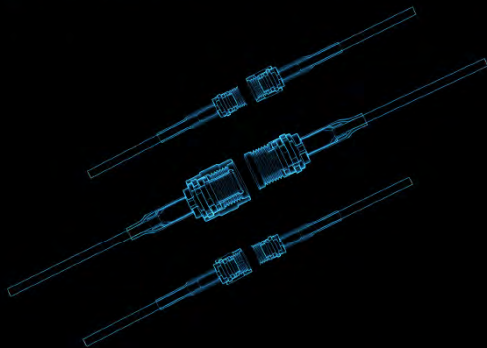
Delta Electronics Manufacturing Corporation
416 Cabot Street, P.O. Box 53
Beverly, MA 01915
FSCM/CAGE 00795



CREATE



COLLABORATE



CONNECT



Delta Electronics Mfg. Corp.

www.deltarf.com
978-927-1060
sales@deltarf.com

PO Box 53
416 Cabot St.
Beverly, MA 01915

